

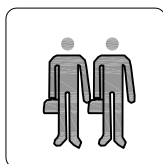
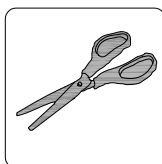
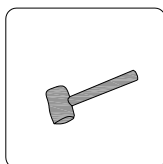
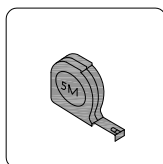
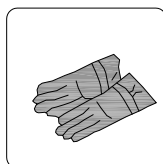
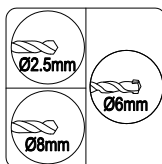
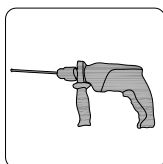
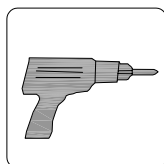
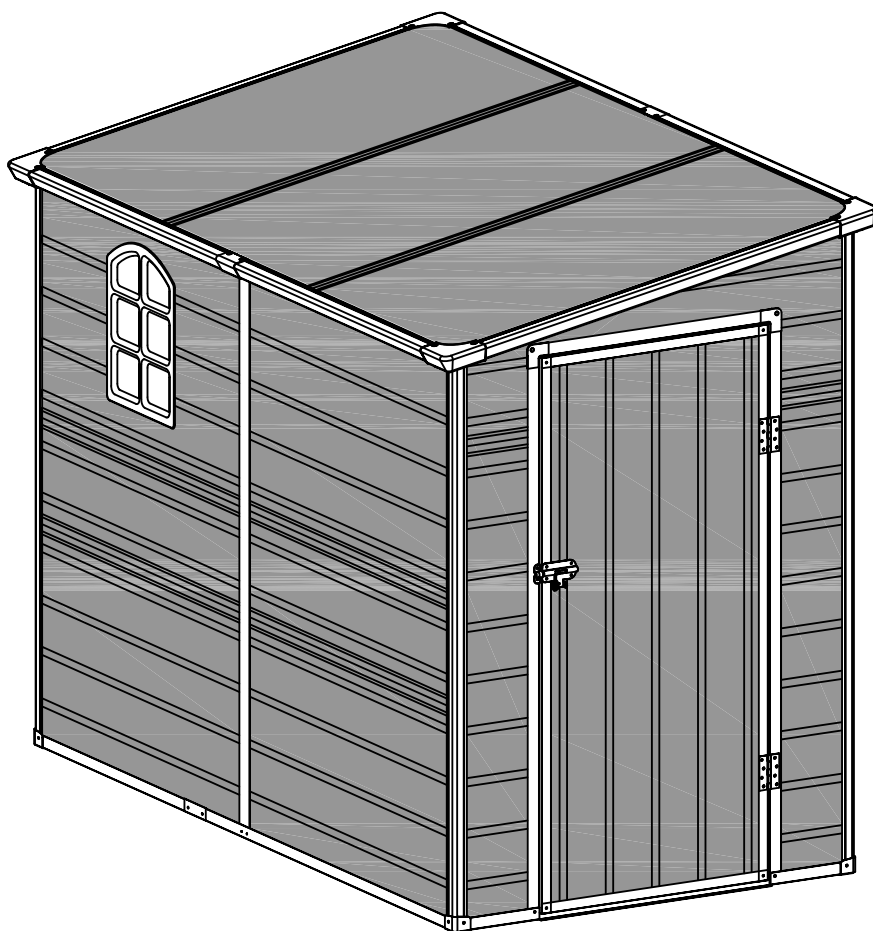


# WESTMANN

## MONTAGEANLEITUNG

Gerätehaus

Cara-B

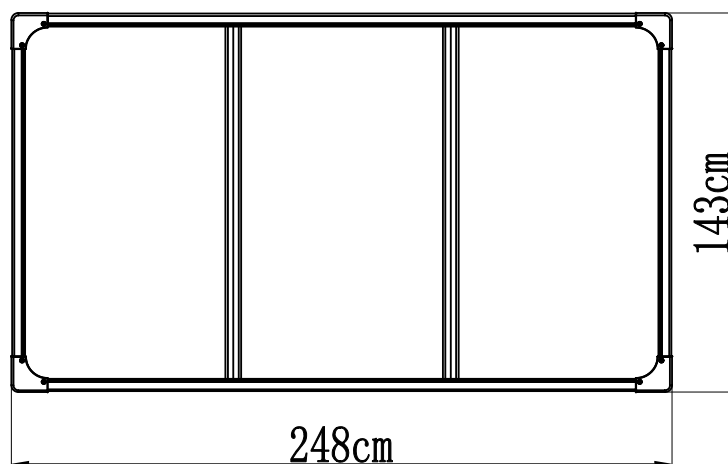
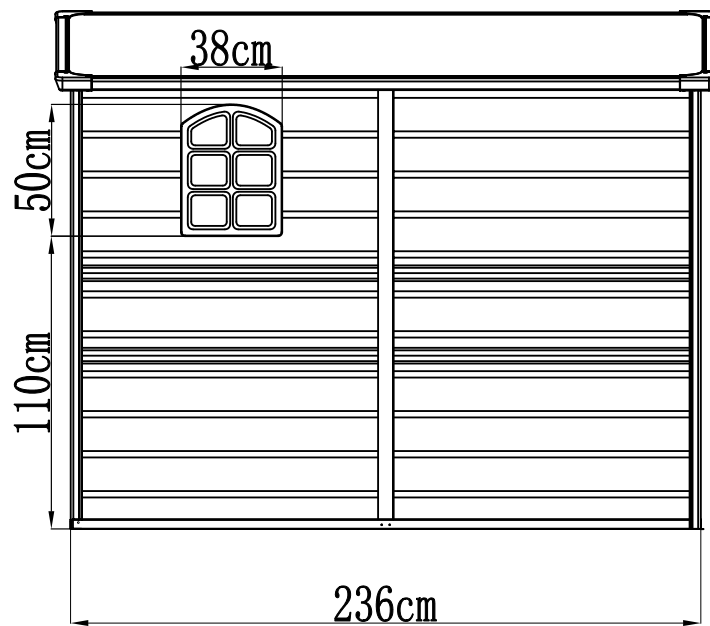
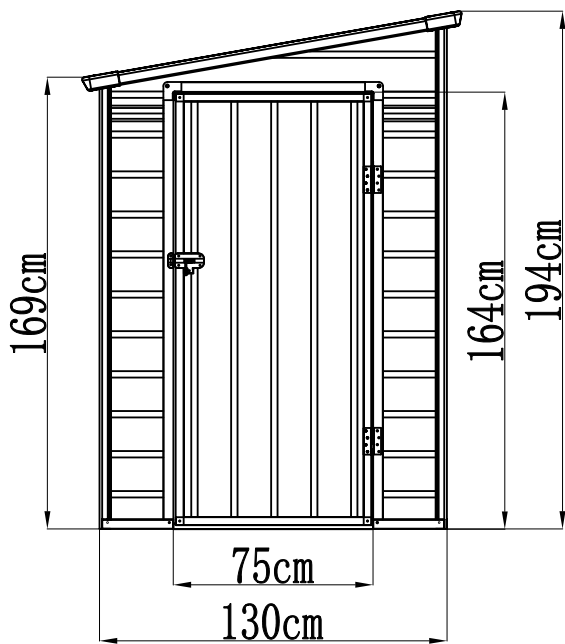


**BEI FRAGEN, KONTAKTIEREN SIE  
UNSEREN KUNDENSERVICE:**

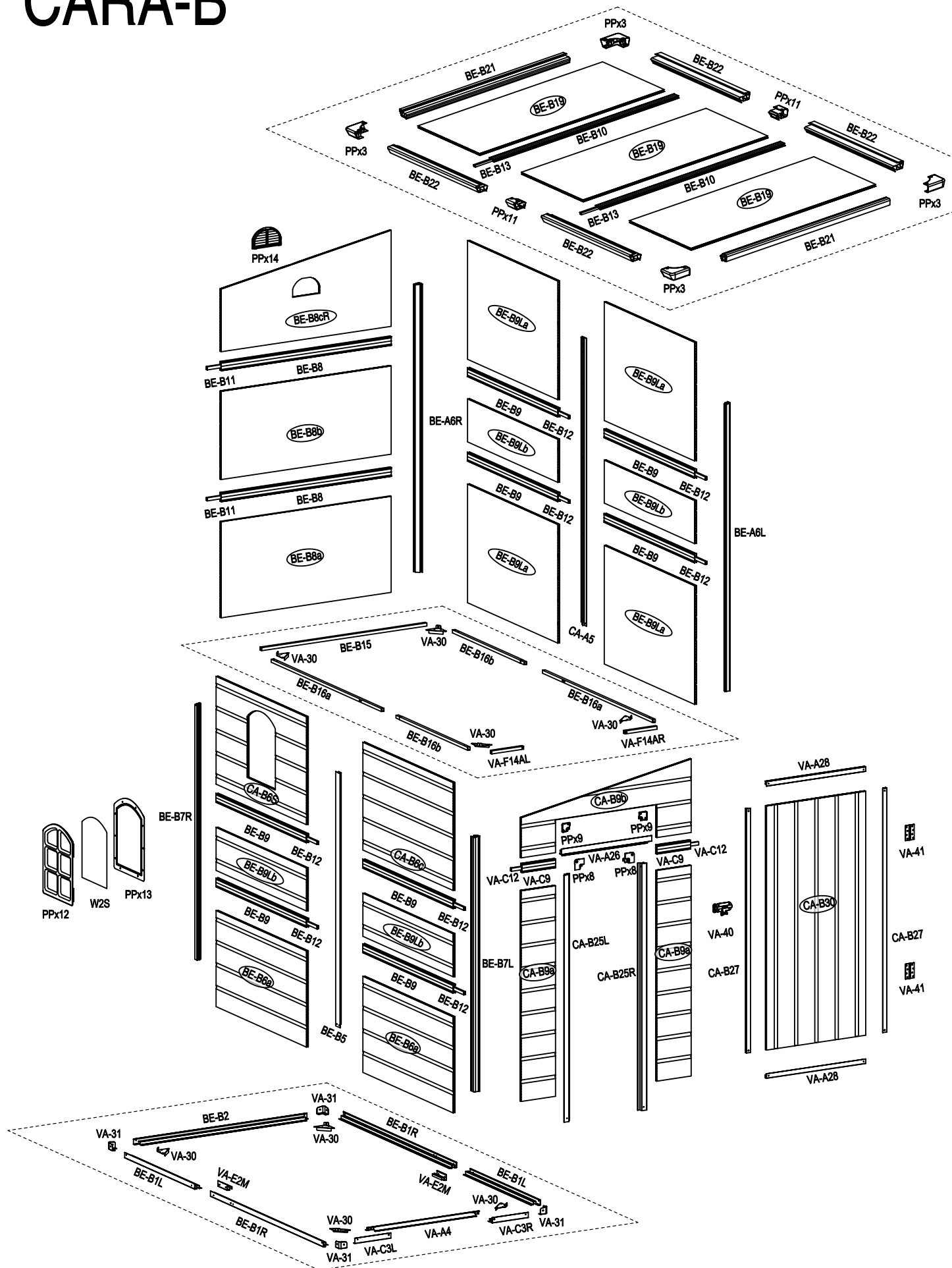
50NRTH GmbH  
Straßburgstraße 14-16  
D-54516 Wittlich




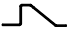



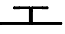














service@50NRTH.com  
+49 (0) 6571 95117-0

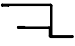



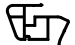
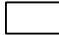
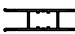




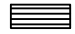
















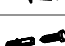


# Size of CARA-B:

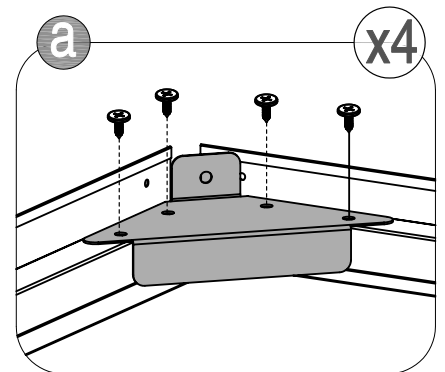
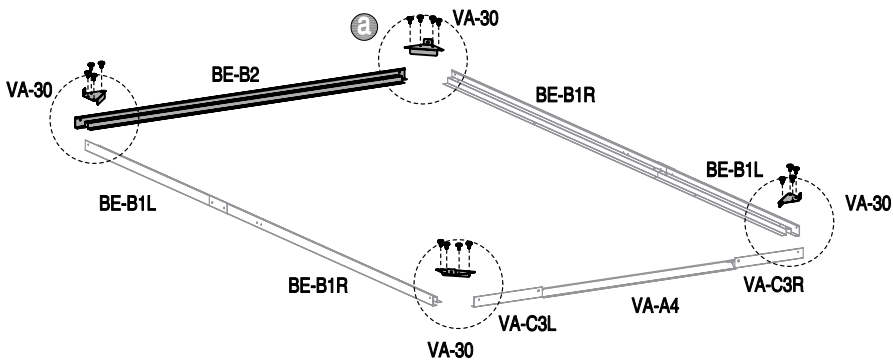
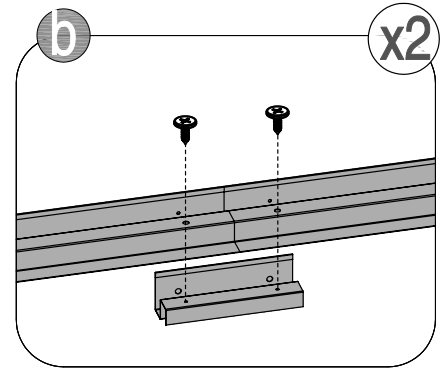
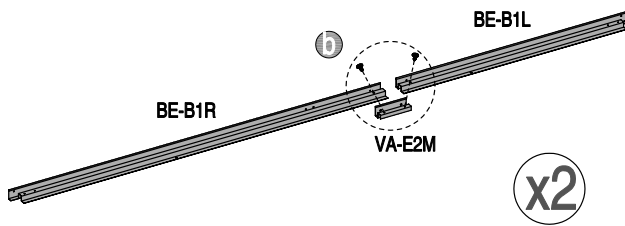
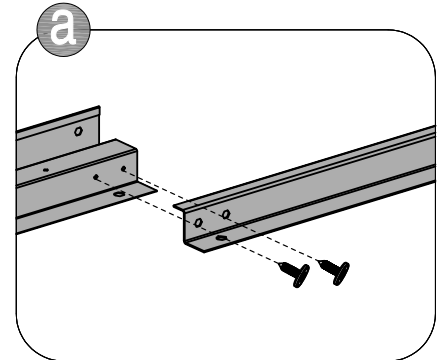
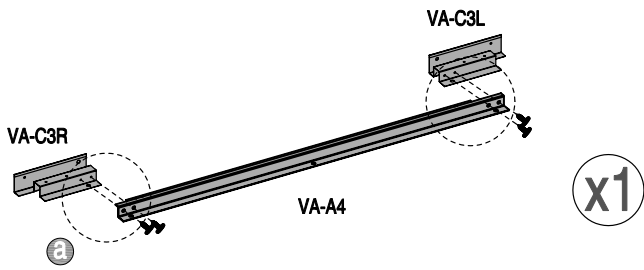
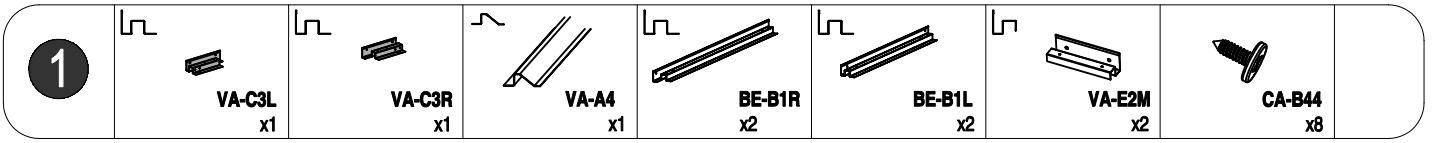


# CARA-B

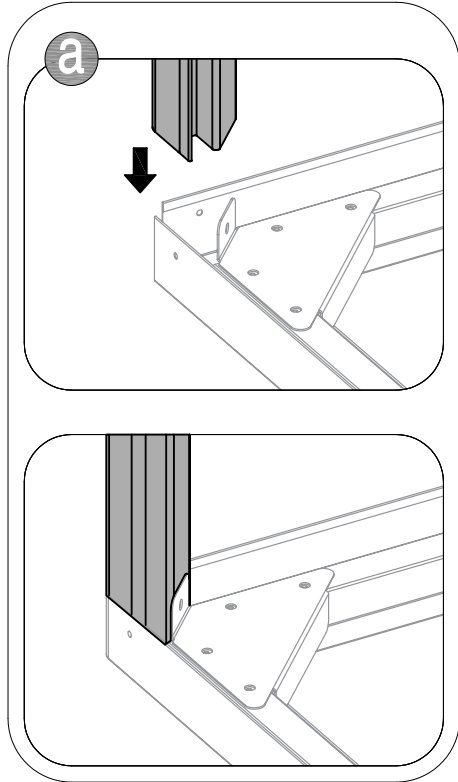
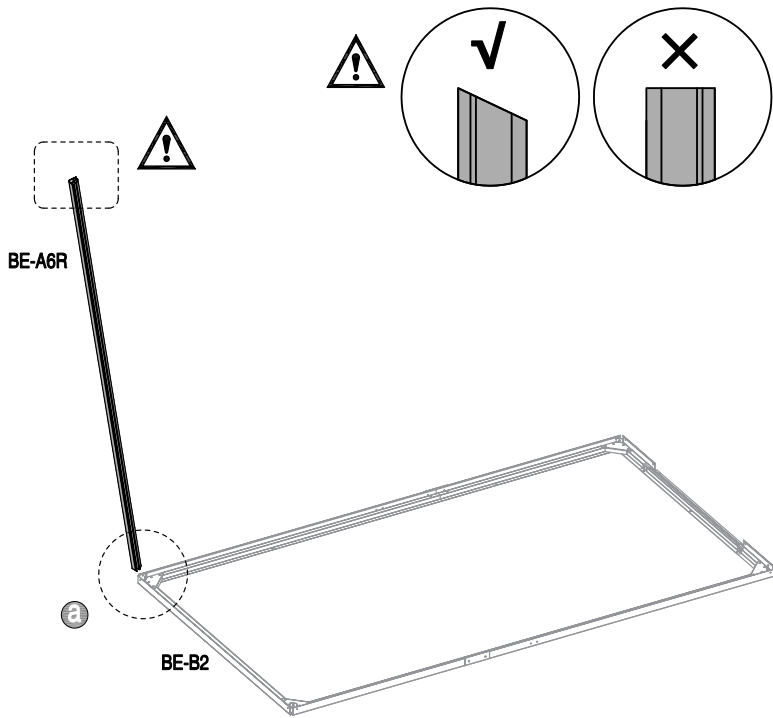




NO.	IMAGE	mm	QTY
			
	BE-B1R	1450	x2
	BE-B1L	898	x2
	BE-B2	1285	x1
	VA-C3L	267	x1
	VA-C3R	267	x1
	VA-E2M	120	x2
	VA-A4	830	x1
	VA-30		x8
	VA-31		x4
			
	BE-B5	1688	x1
	CA-A5	1910	x1
	VA-F14AL	235	x1
	VA-F14AR	235	x1
	BE-B15	1224	x1
	BE-B16a	1413	x2
	BE-B16b	918	x2
	BE-A6L	1910	x1
	BE-A6R	1910	x1
	BE-B7L	1695	x1
	BE-B7R	1695	x1
	CA-B9a	255x1398	x2
	CA-B9b	1260x488	x1
	BE-B6a	1160x638	x2
	BE-B9Lb	1160x286	x4
	CA-B6S	1160x716	x1
	CA-B6c	1160x716	x1
	BE-B9La	1160x788	x4
	BE-B8a	1260x638	x1
	BE-B8b	1260x586	x1
	BE-B8cR	1260x638	x1
	VA-C9	250	x2
	BE-B9	1160	x8
	BE-B8	1260	x2
	VA-C12	250	x2
	BE-B12	1160	x8
	BE-B11	1260	x2

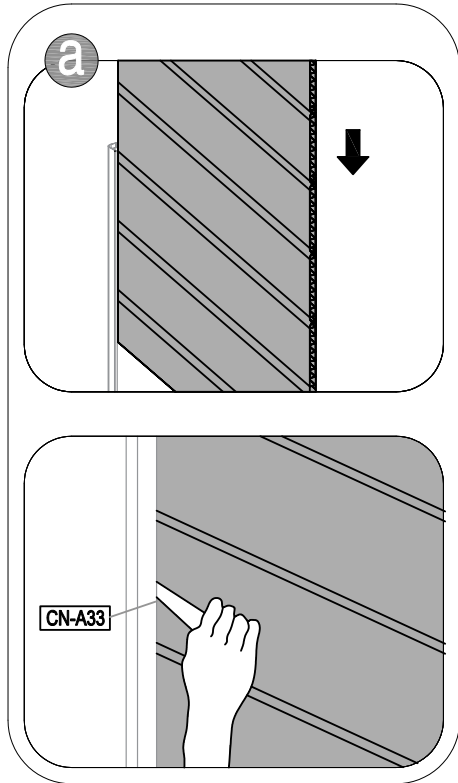
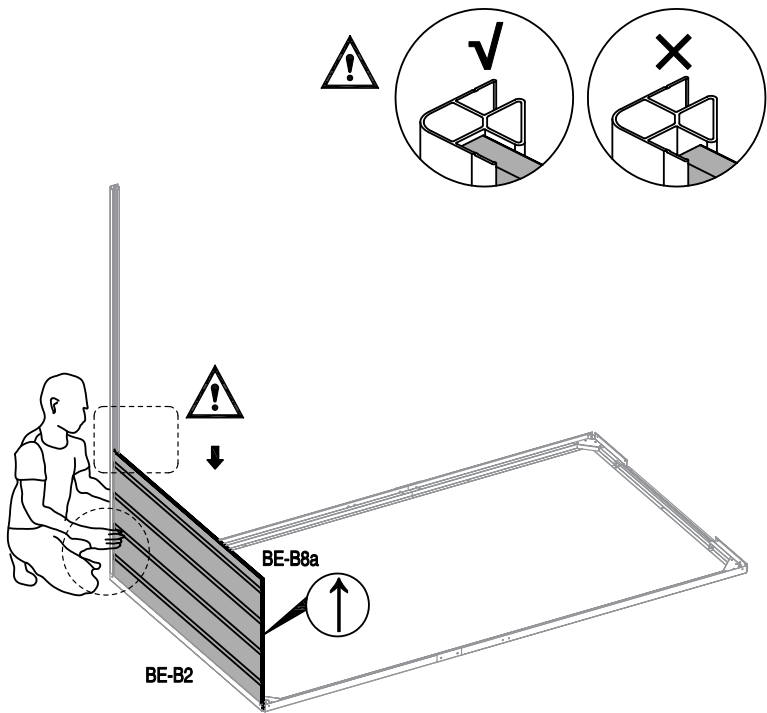
NO.	IMAGE	mm	QTY
	CA-B25L	1640	x1
	CA-B25R	1640	x1
	VA-A26	748	x1
	PPX8		x2
	PPX9		x2
			
	BE-B21	1230	x2
	BE-B22	1123	x4
	BE-B19	1390x793	x3
	BE-B10	1390	x2
	BE-B13	1390	x2
	PPx11		x2
	PPX3		x4
			
	CA-B30	1620x735	x1
	CA-B27	1620	x2
	VA-A28	735	x2
			
	PPx12		x1
	PPx13		x1
	W2S		x1
	PPX14		x1
	VA-51		x1
	VA-53		x1
	VA-43		x2
	VA-41		x2
	VA-40		x1
	PA01		x3
	CA-B44	ST4.2x13	x147
	CA-B45	ST4.2x19	x83
	CA-B46	ST4.2x13	x16
	CA-B47	ST4.2x19	x4
	CA-B48	ST6.0x40	x7
	CA-B49	ST4.2x10	x6
	CN-A33		x2




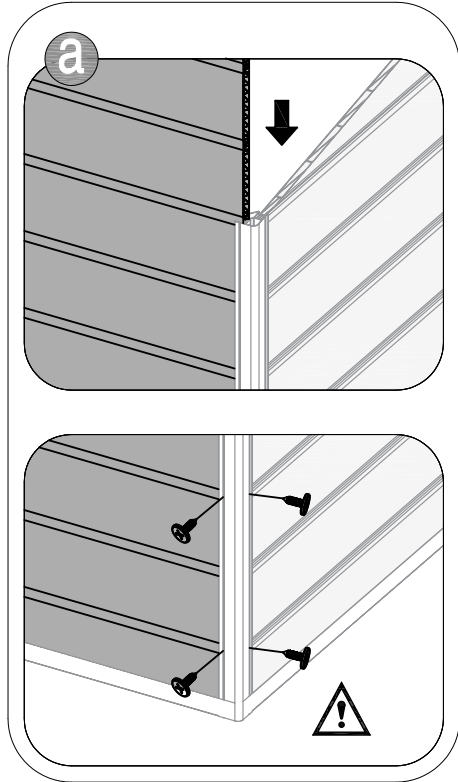
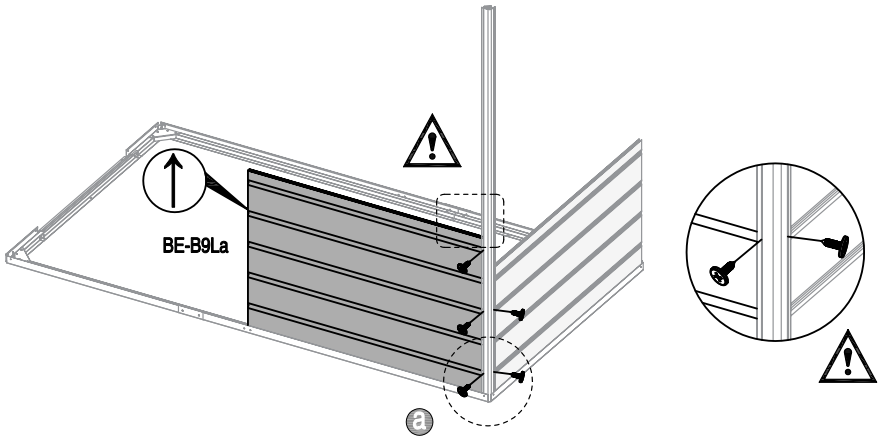
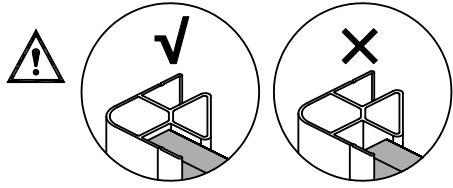
<b>3</b>	 <b>BE-A6R</b> x1	
----------	--	--



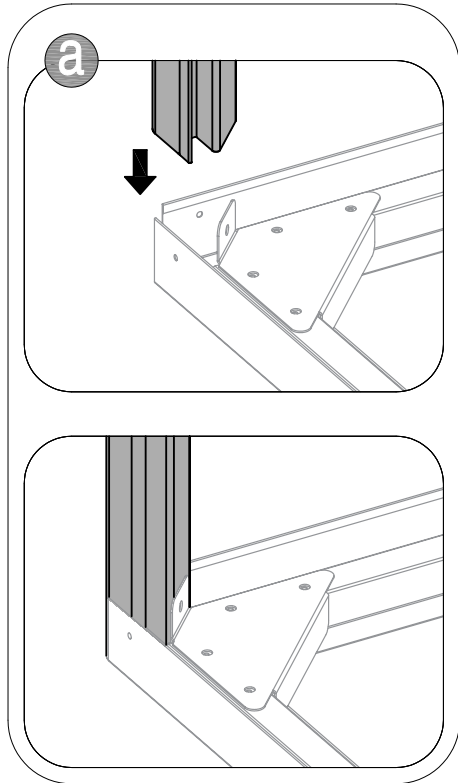
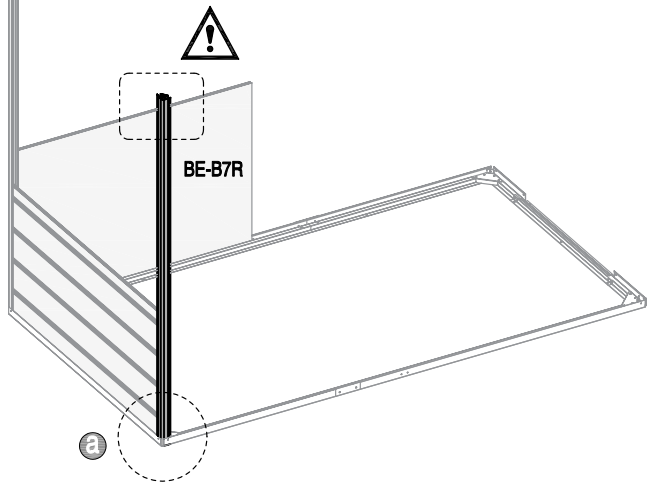
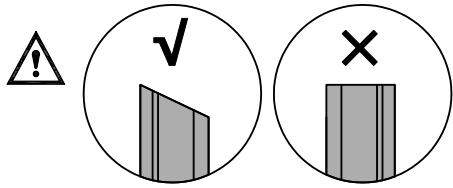
<b>4</b>	 <b>BE-B8a</b> x1	 <b>CN-A33</b>	
----------	--	--	--




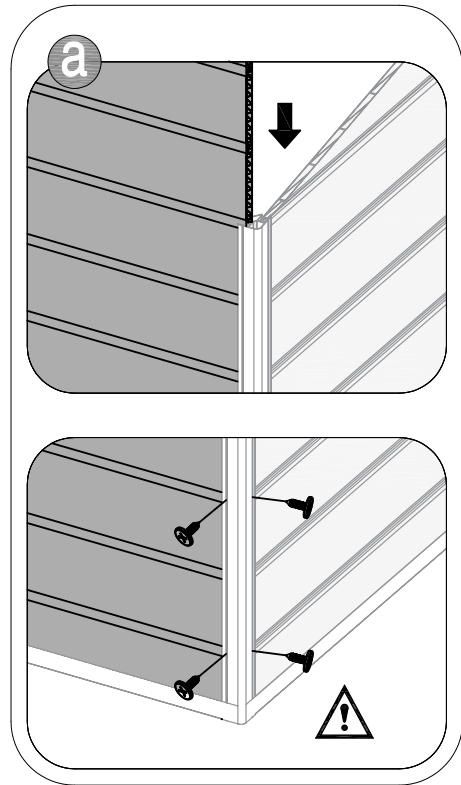
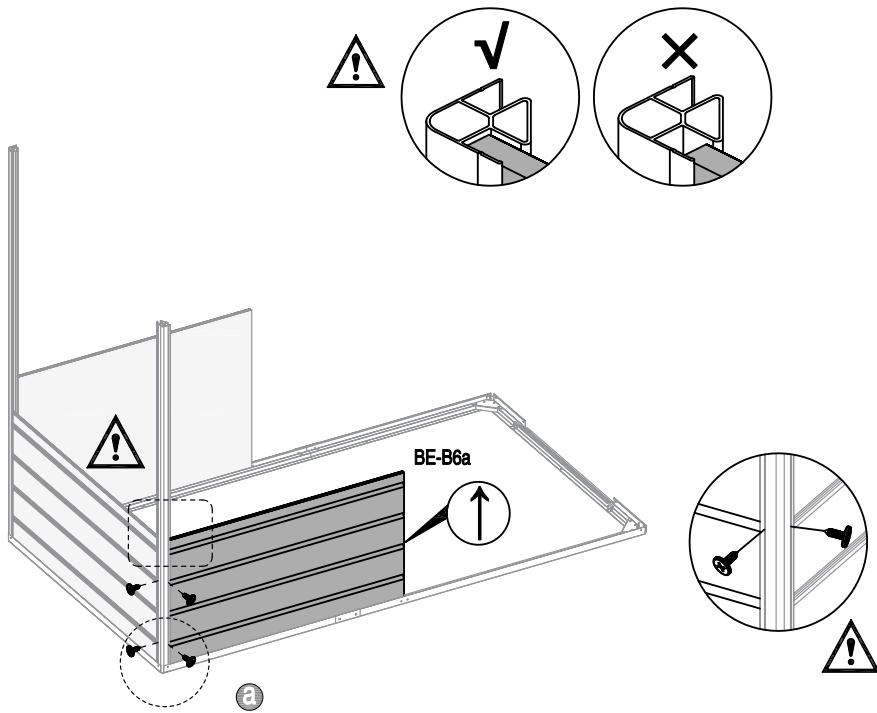
<b>5</b>	 <b>BE-B9La</b> x1	 <b>CA-B45</b> x5	 <b>CN-A33</b>
----------	---	--	--



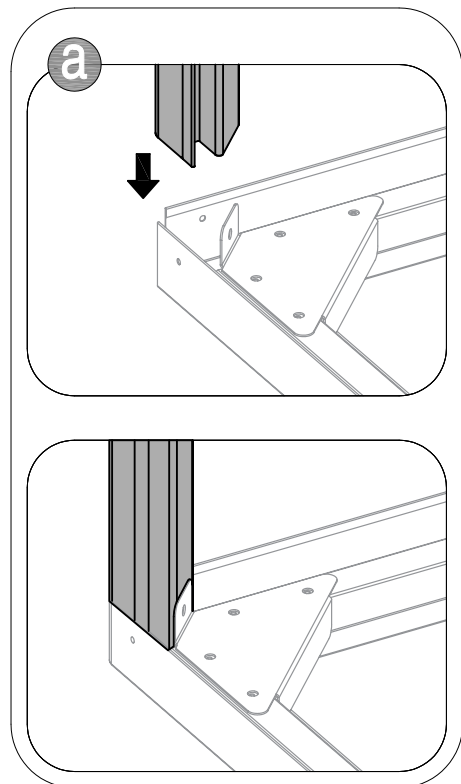
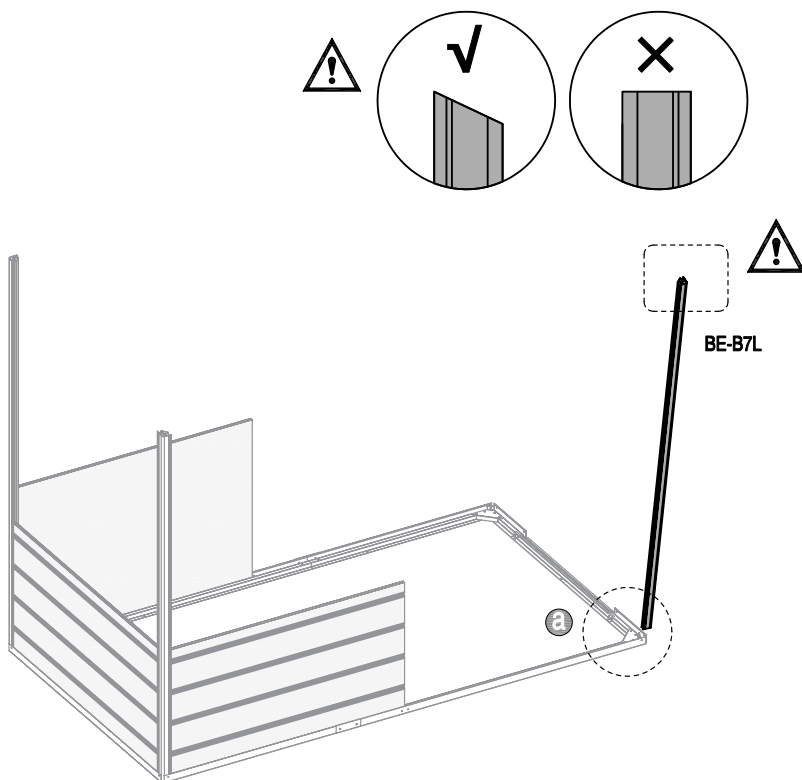
<b>6</b>	 <b>BE-B7R</b> x1
----------	--



<b>7</b>	 <b>BE-B6a</b> x1	 <b>CA-B45</b> x4	 <b>CN-A33</b>
----------	--	--	--

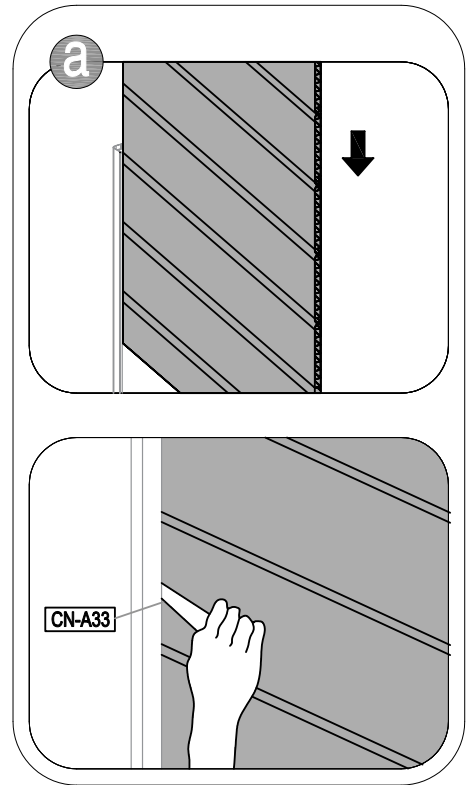
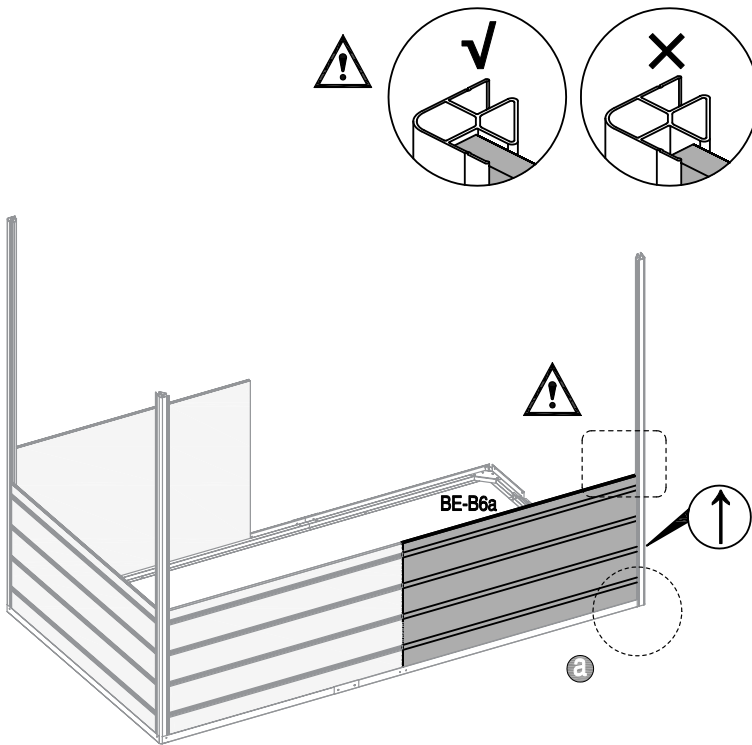


<b>8</b>	 <b>BE-B7L</b> x1
----------	--

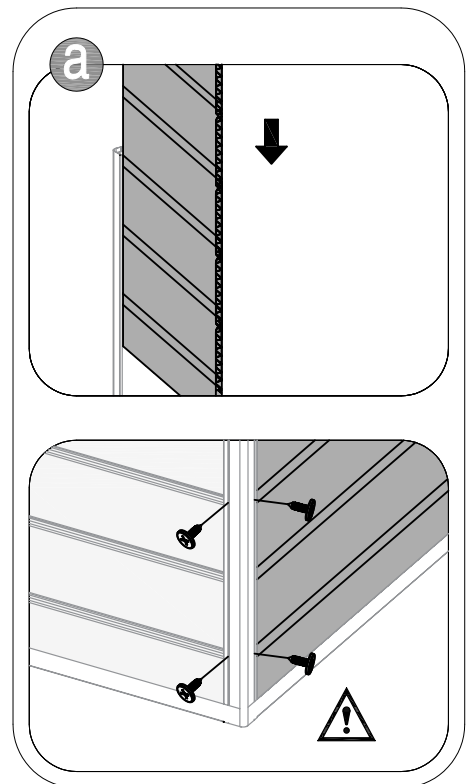
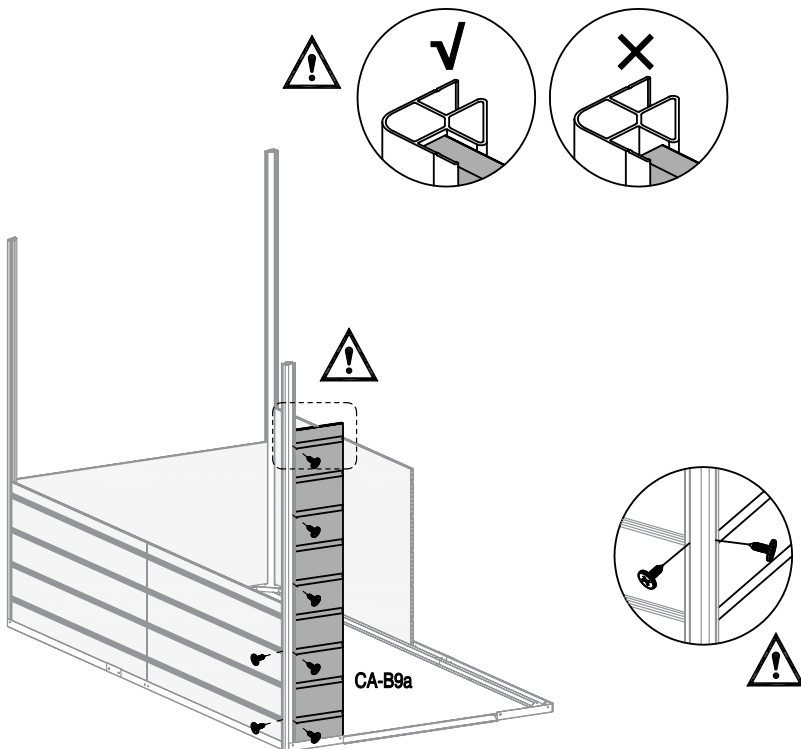




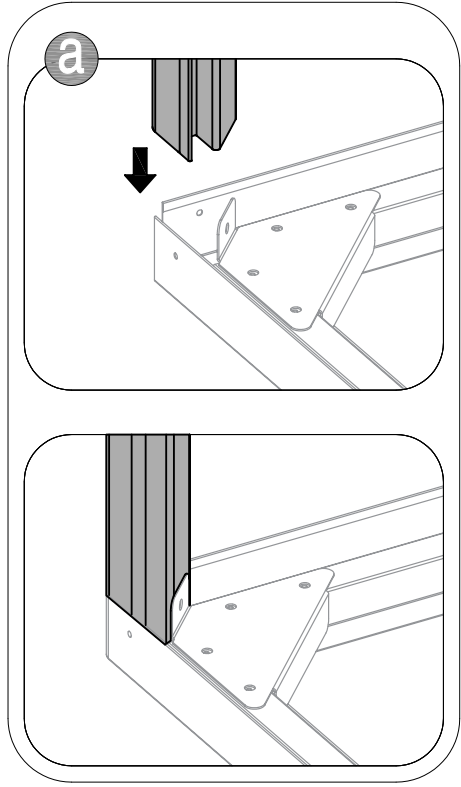
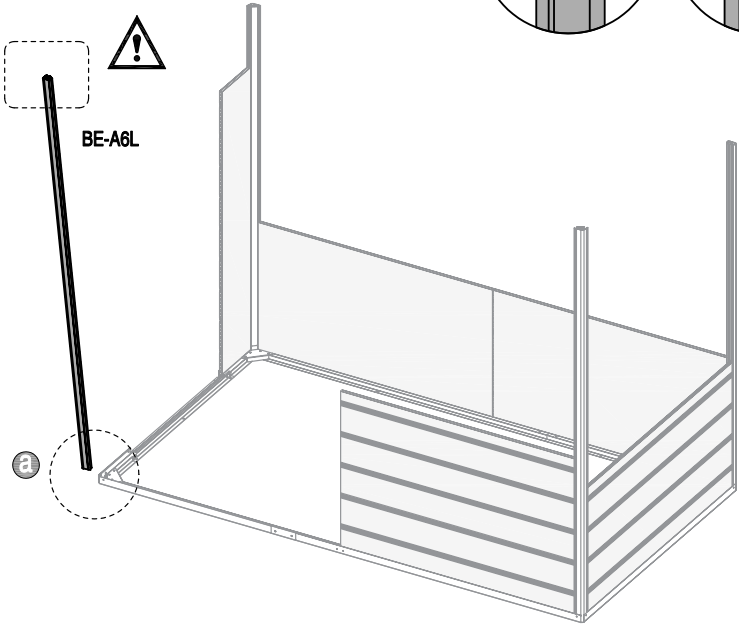
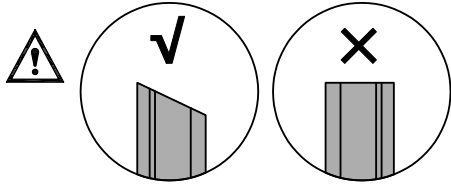
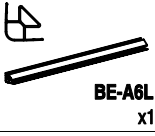
<b>9</b>	 <b>BE-B6a</b> x1	 <b>CN-A33</b>
----------	--	--



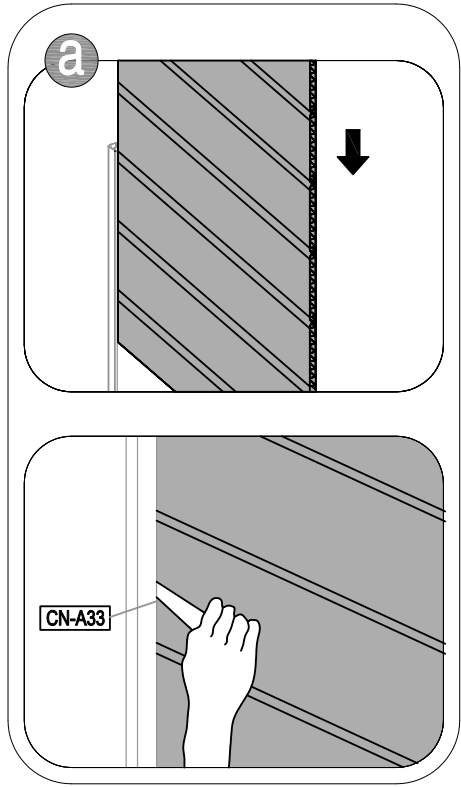
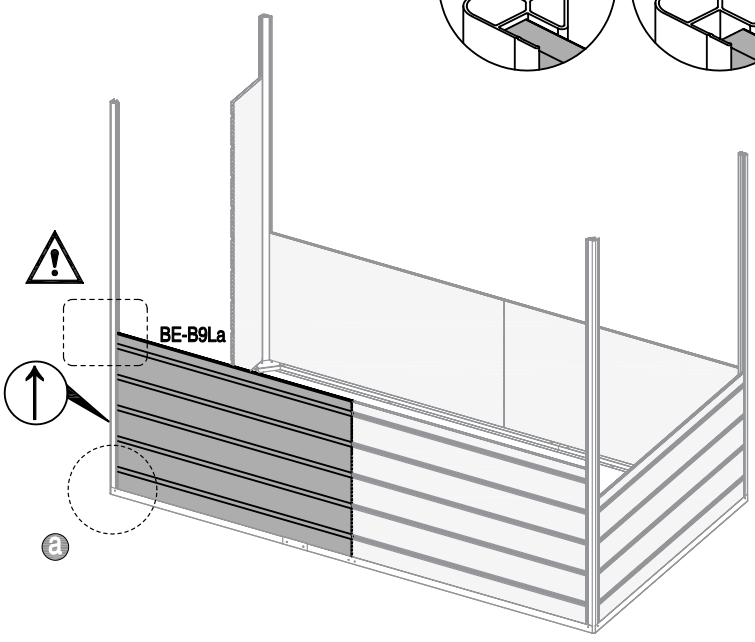
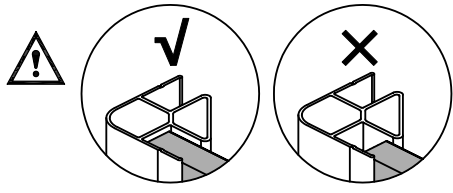
<b>10</b>	 <b>CA-B9a</b> x1	 <b>CA-B45</b> x7	 <b>CN-A33</b>
-----------	--	--	--



11



12



13



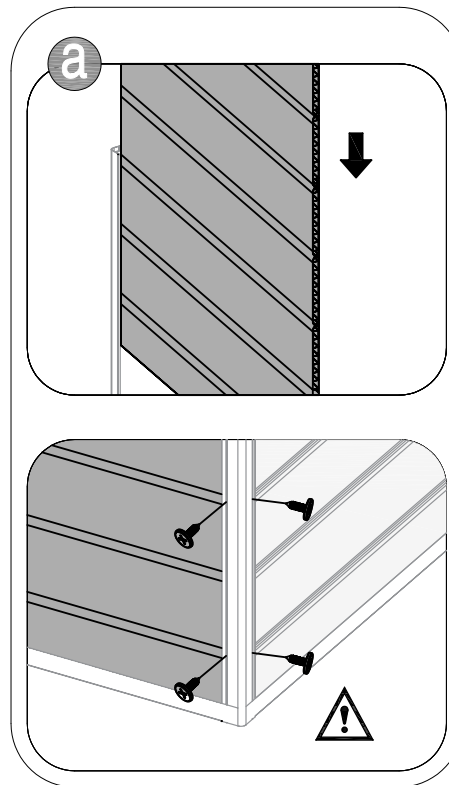
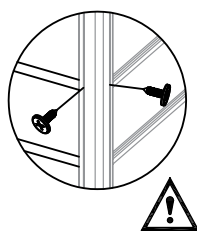
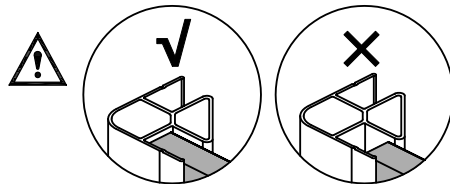
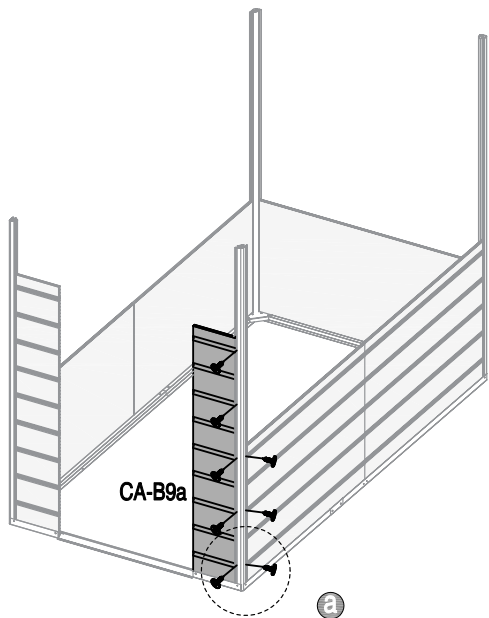
CA-B9a  
x1



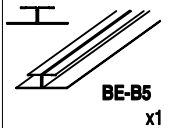
CA-B45  
x8



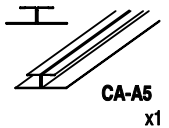
CN-A33



14



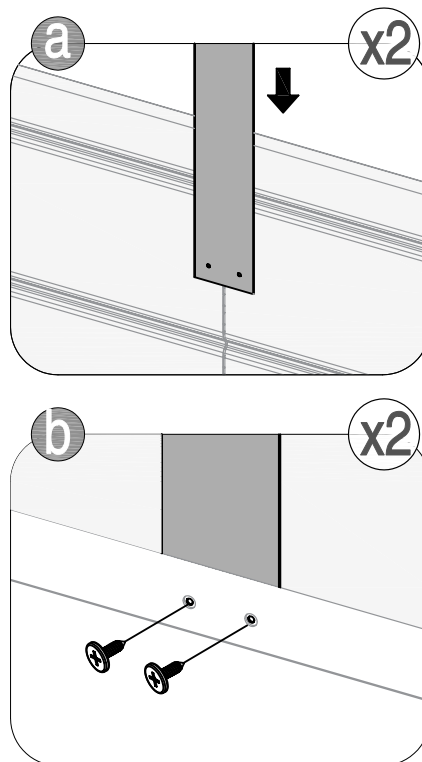
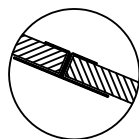
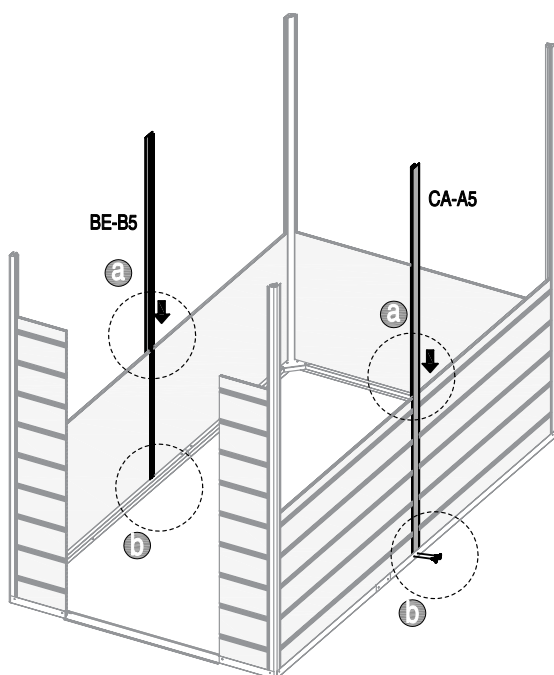
BE-B5  
x1



CA-A5  
x1



CA-B44  
x4



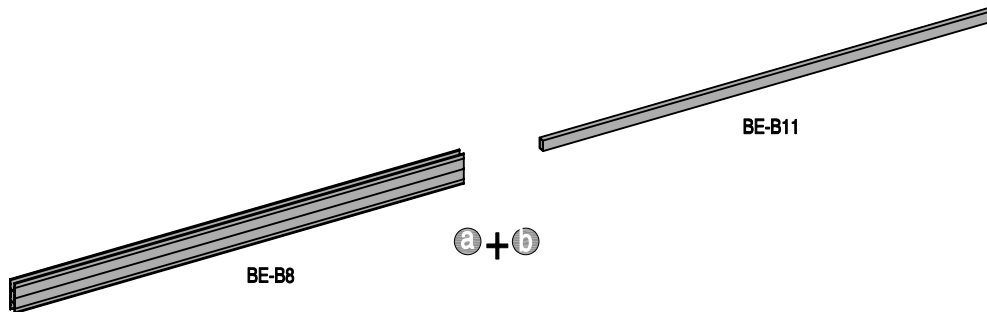
15



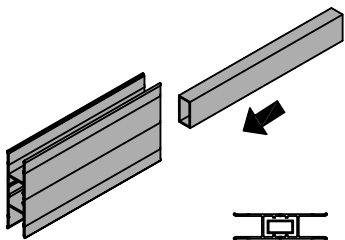
BE-B8  
x1



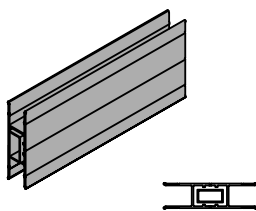
BE-B11  
x1



a



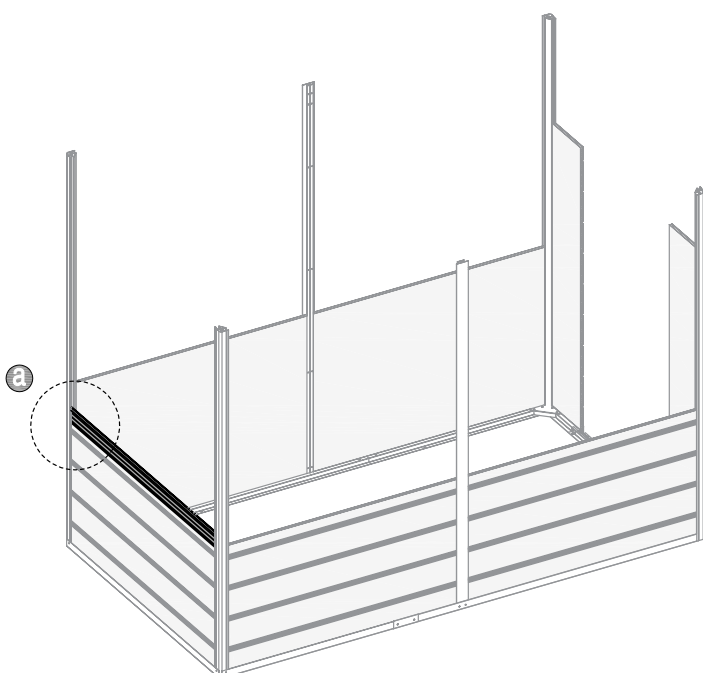
b



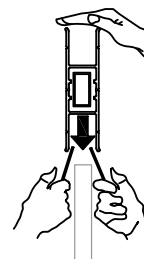
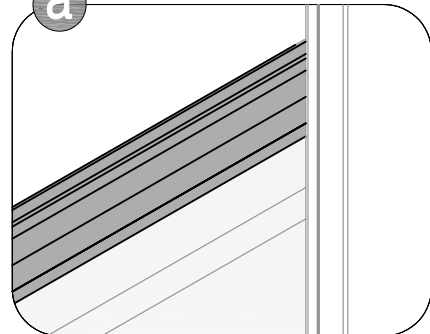
16



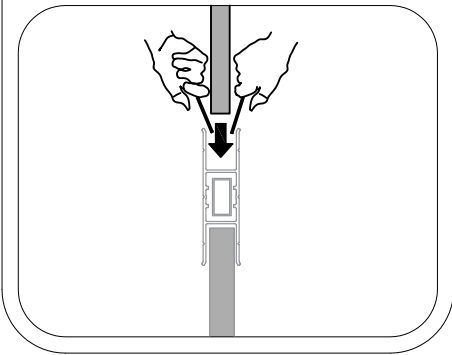
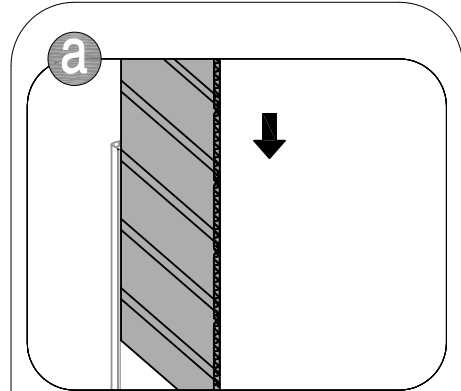
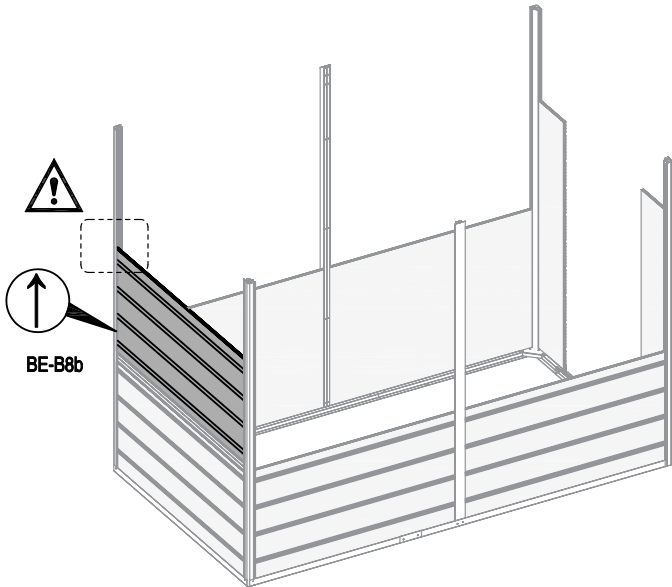
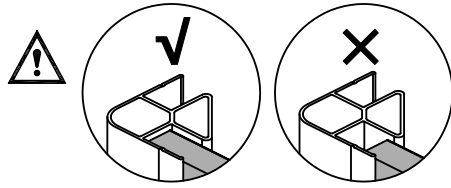
CN-A33



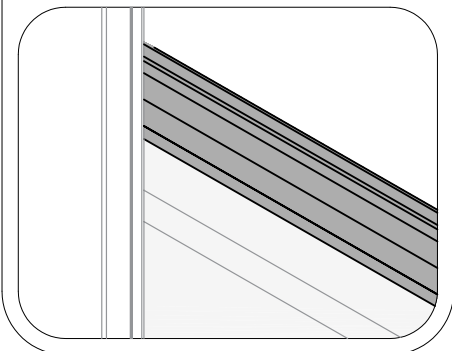
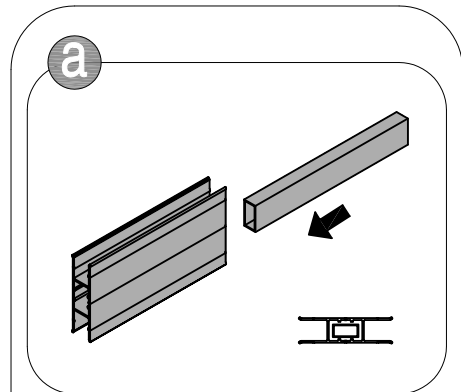
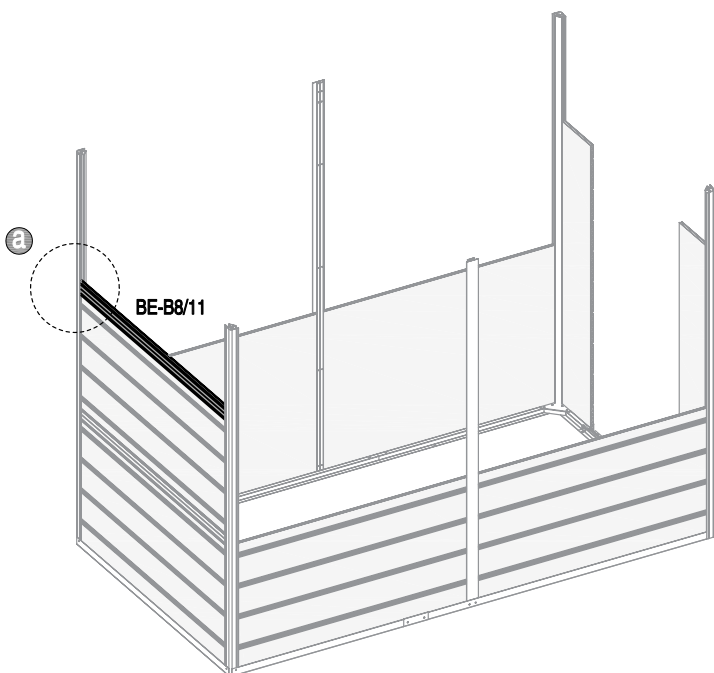
a




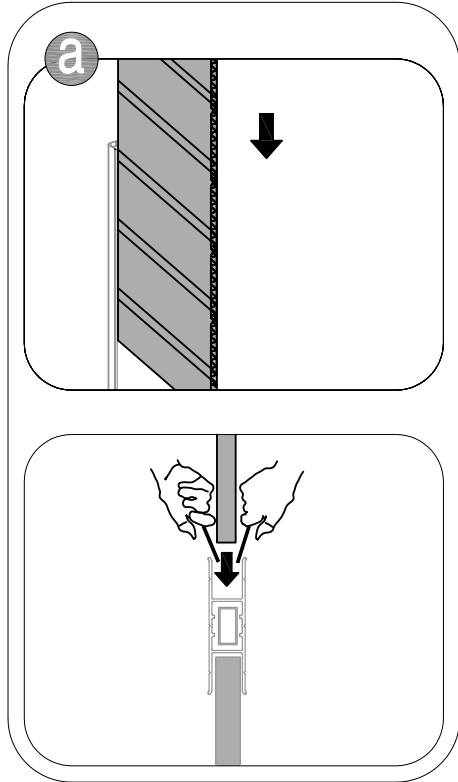
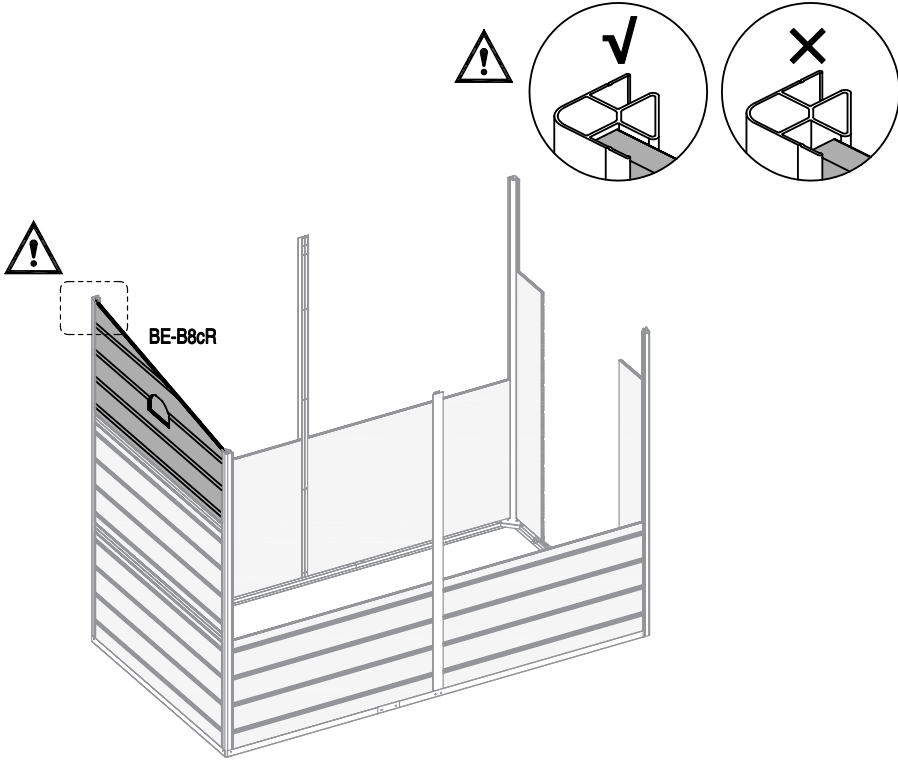
<b>17</b>	 <b>BE-B8b</b> x1	 <b>CN-A33</b>
-----------	--	--

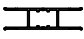



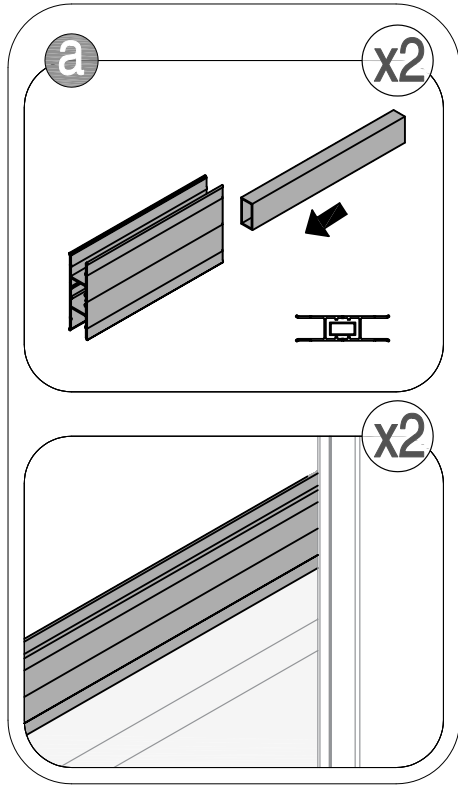
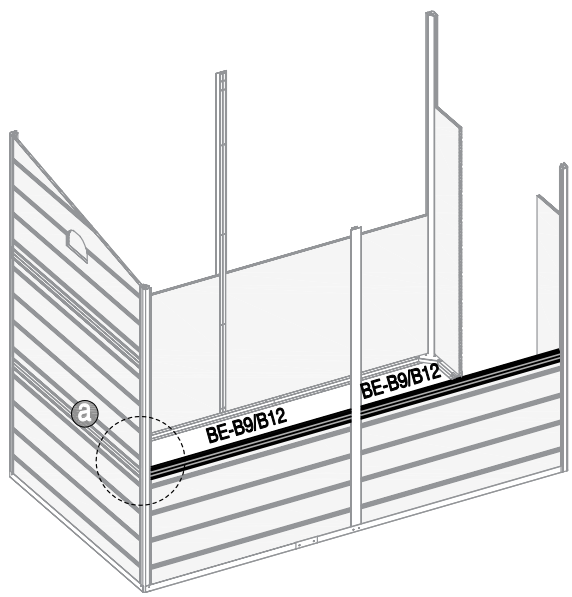
<b>18</b>	 <b>BE-B8</b> x1	 <b>BE-B11</b> x1	 <b>CN-A33</b>
-----------	---	--	--





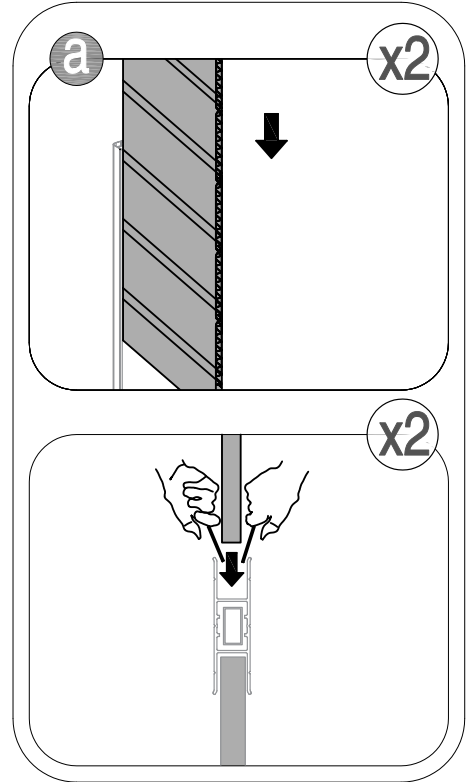
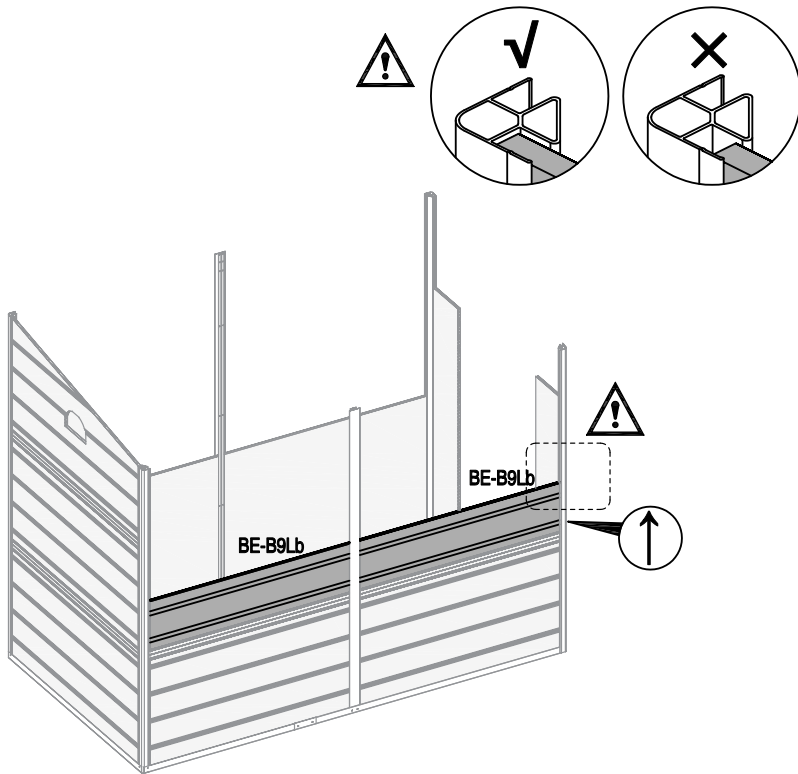
<b>19</b>	 <b>BE-B8cR</b> x1	 <b>CN-A33</b>
-----------	---	--



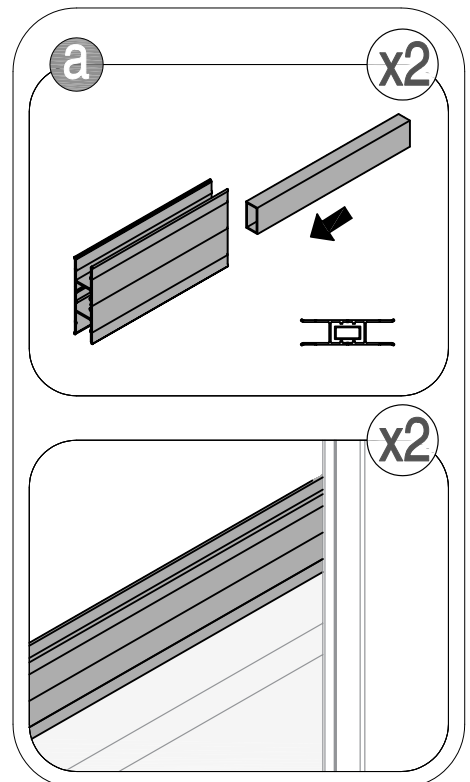
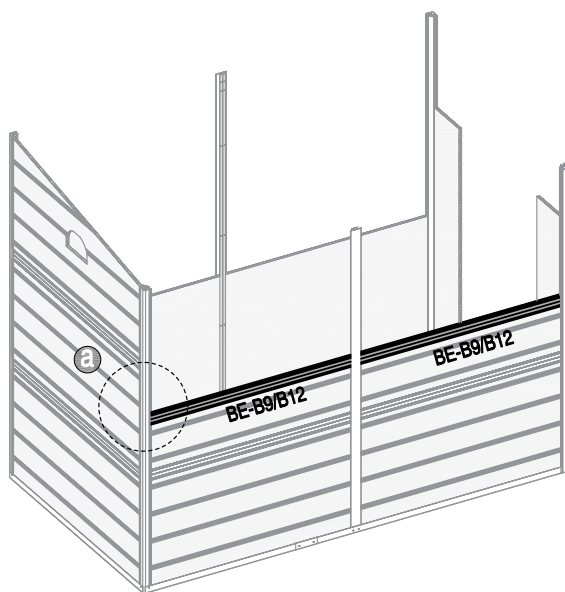
<b>20</b>	 <b>BE-B9</b> x2	 <b>BE-B12</b> x2	 <b>CN-A33</b>
-----------	---	--	--

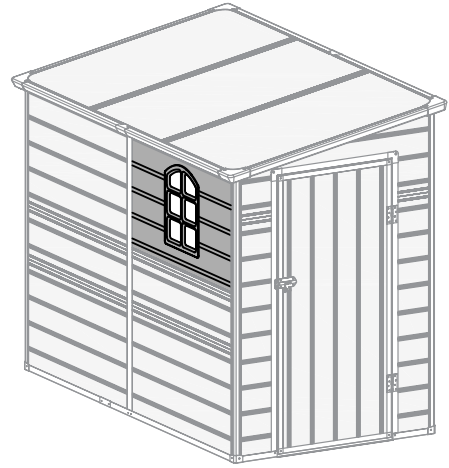
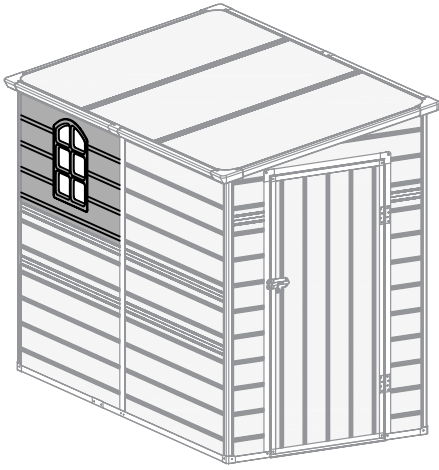


21	 BE-B9Lb x2	 CN-A33	
----	--	---	--



22	 BE-B9 x2	 BE-B12 x2	 CN-A33	
----	--	---	---	--





23



CA-B6S  
x1



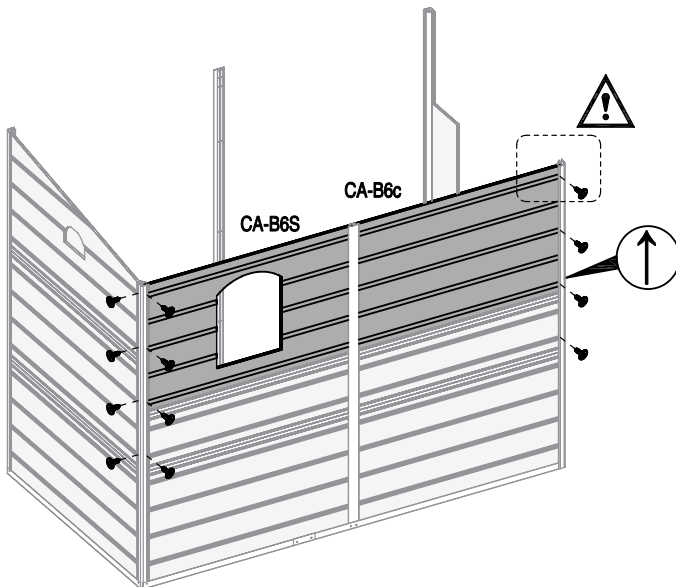
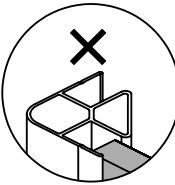
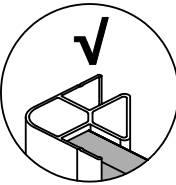
CA-B6c  
x1



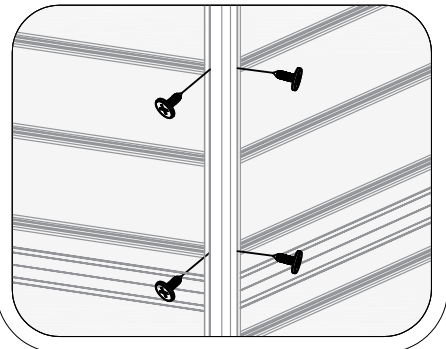
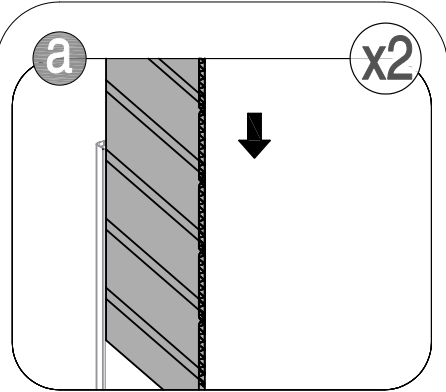
CA-B45  
x12



CN-A33



a





24



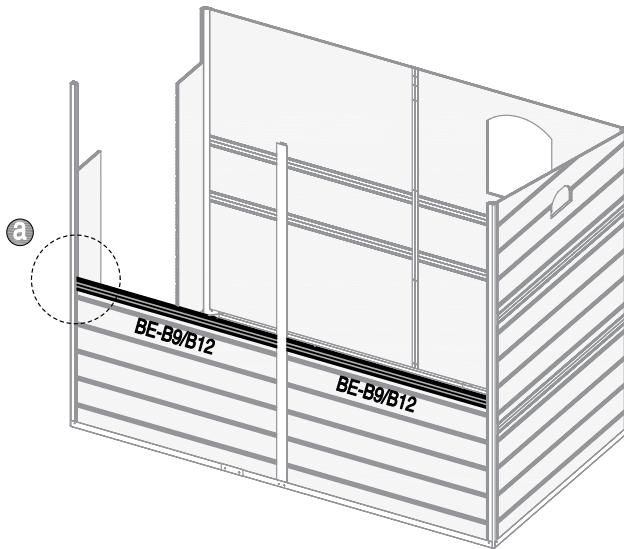
BE-B9  
x2



BE-B12  
x2

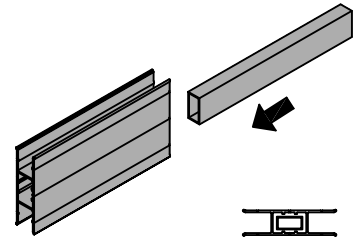


CN-A33

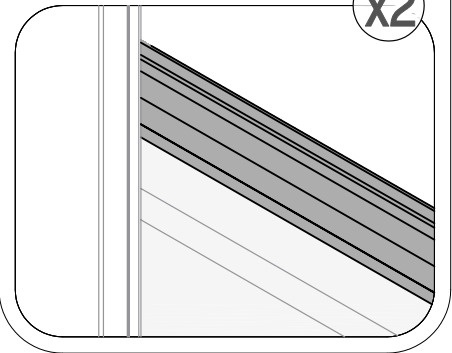


a

x2



x2



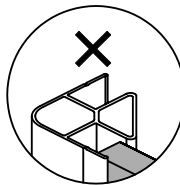
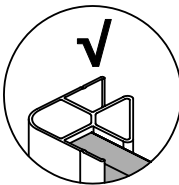
25



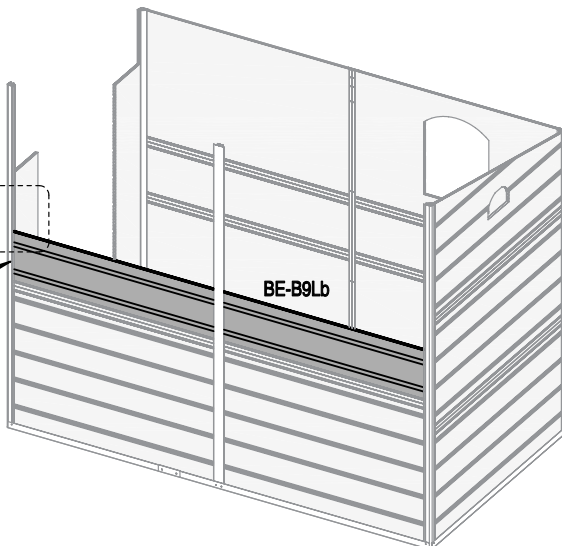
BE-B9Lb  
x2



CN-A33

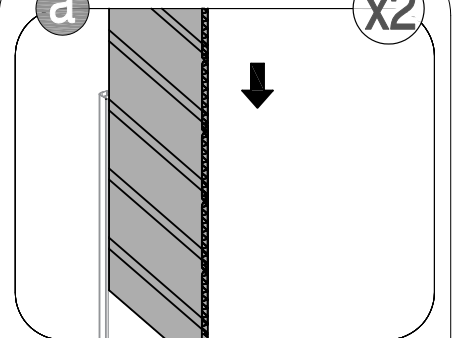


↑  
BE-B9Lb

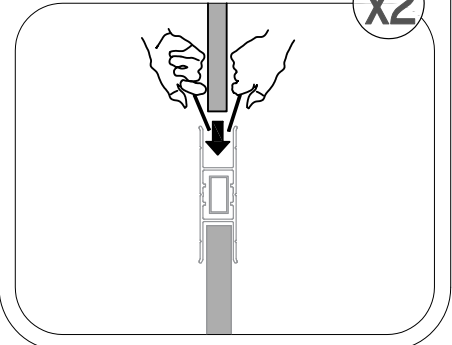


a

x2



x2



26



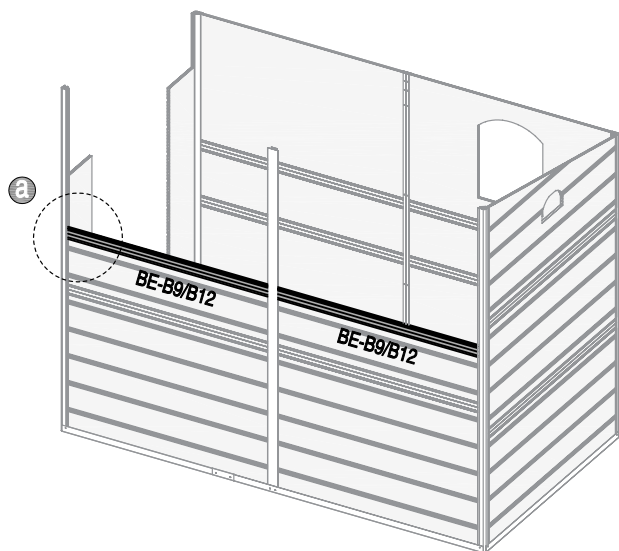
BE-B9  
x2



BE-B12  
x2

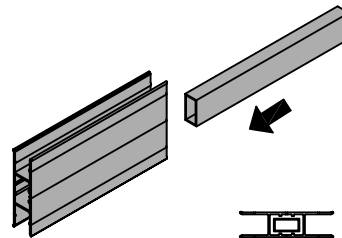


CN-A33

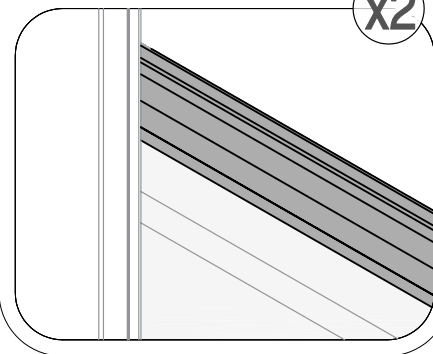


a

x2



x2



27



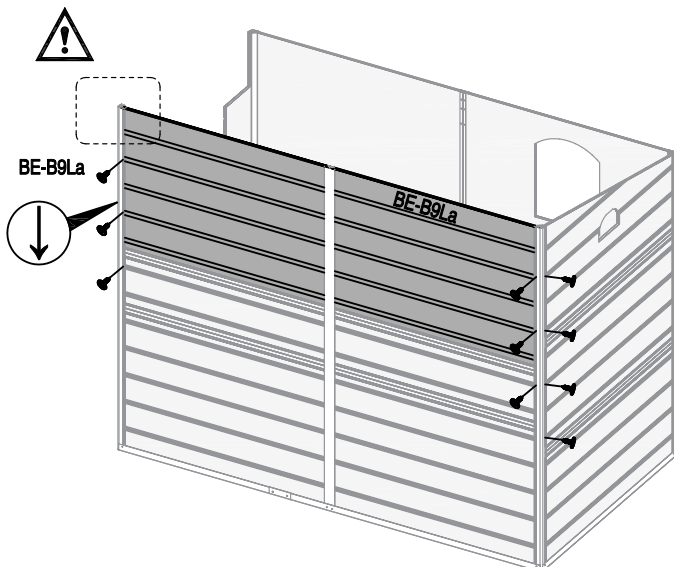
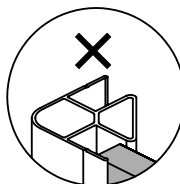
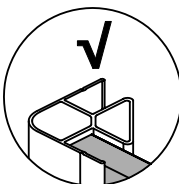
BE-B9La  
x2



CA-B45  
x10

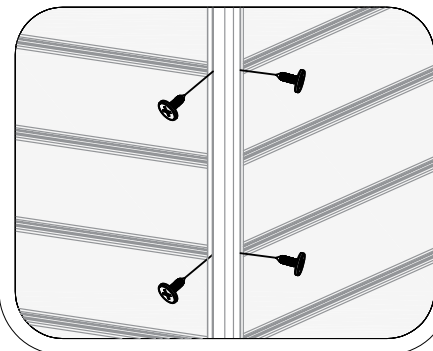
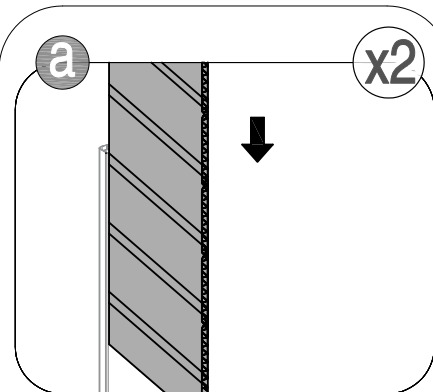


CN-A33



a

x2



28



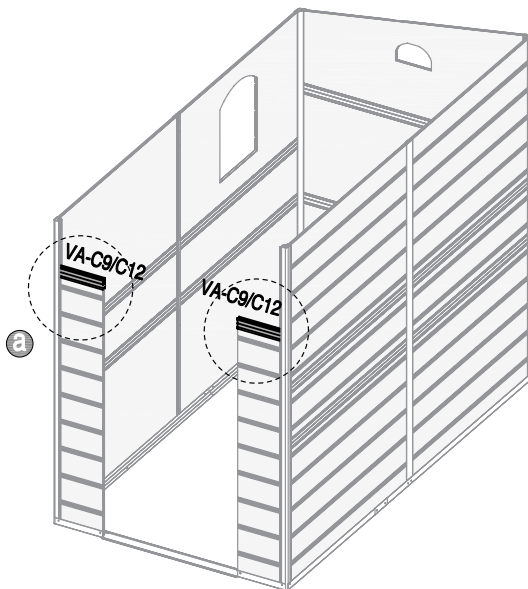
VA-C9  
x2



VA-C12  
x2

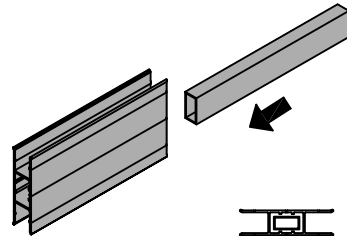


CN-A33

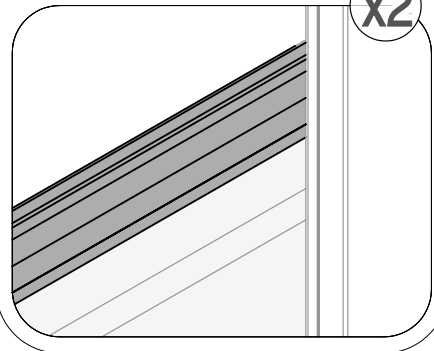


a

x2



x2



29



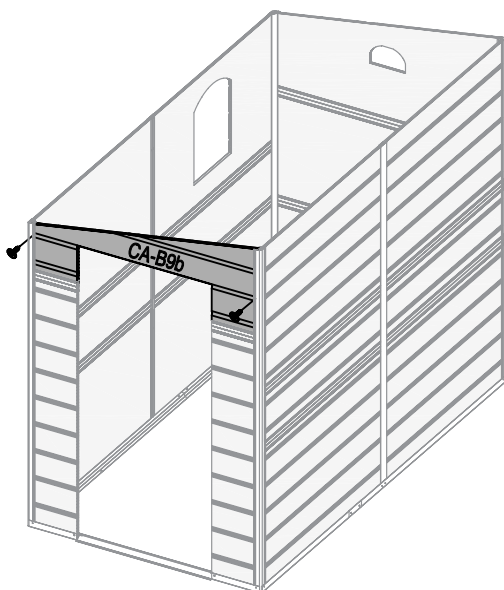
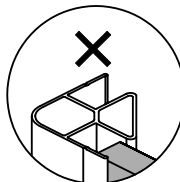
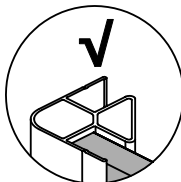
CA-B9b  
x1



CA-B45  
x2

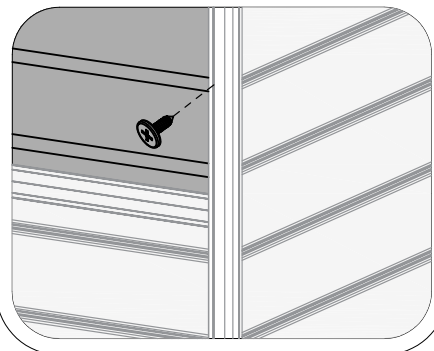
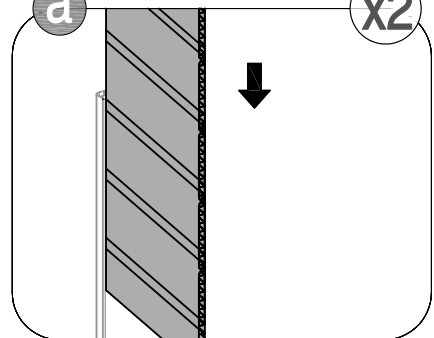


CN-A33



a

x2



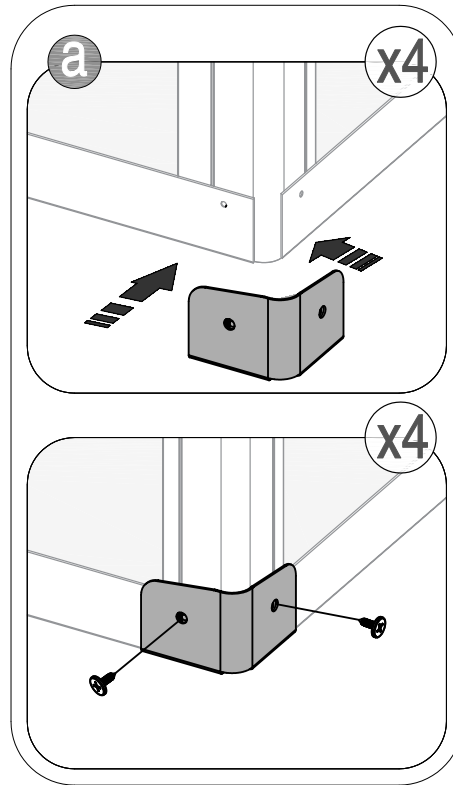
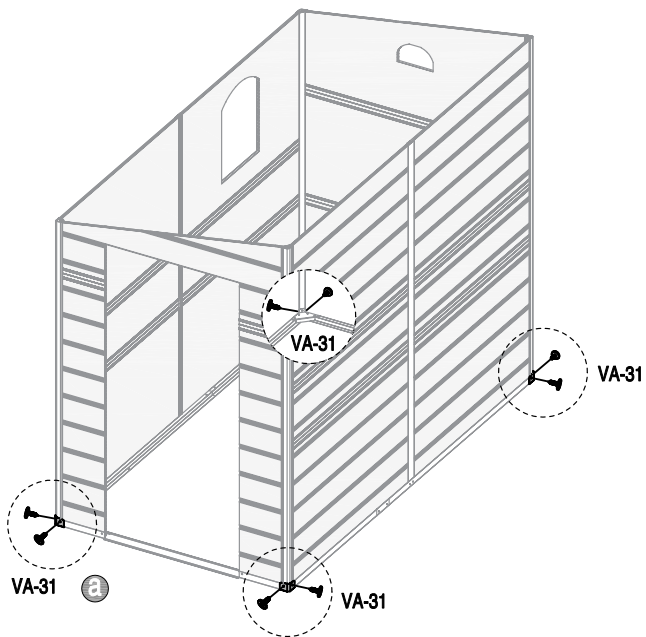
30



VA-31  
x4



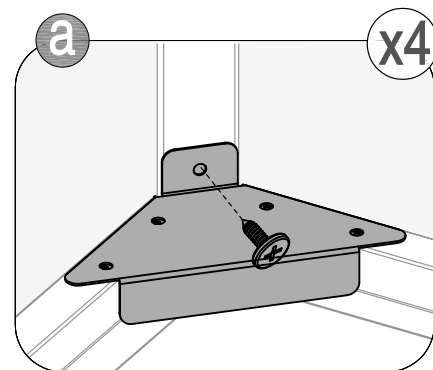
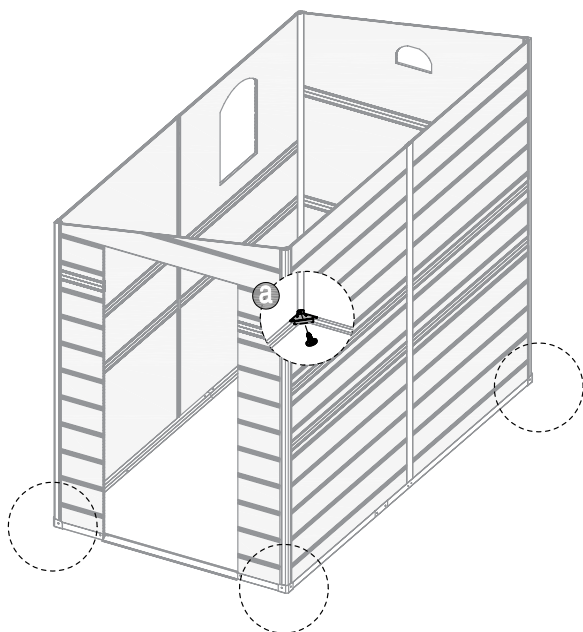
CA-B44  
x8



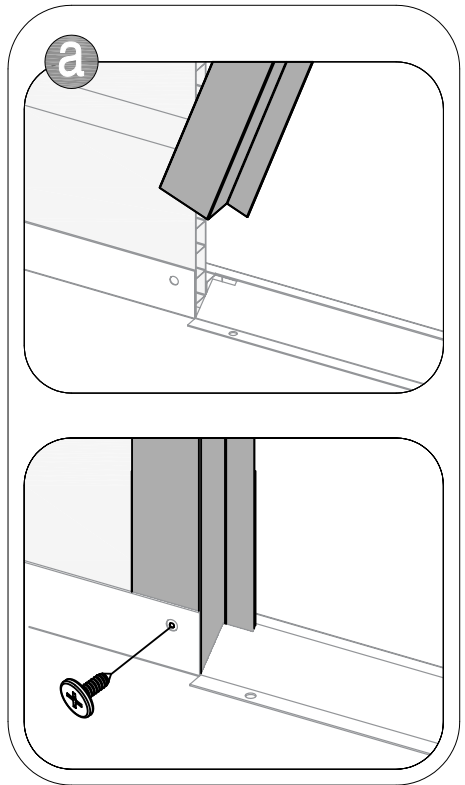
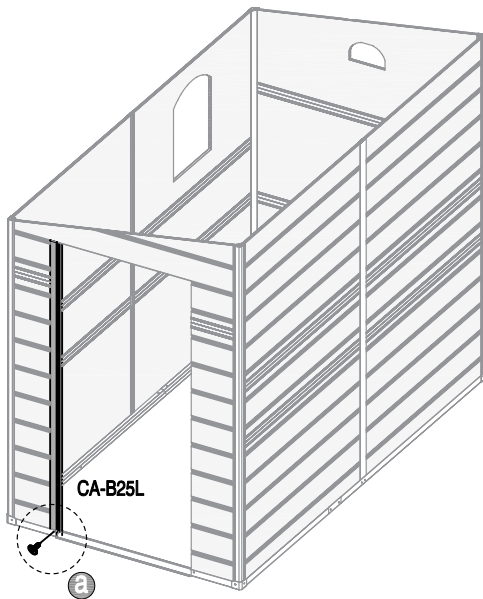
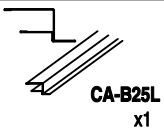
31



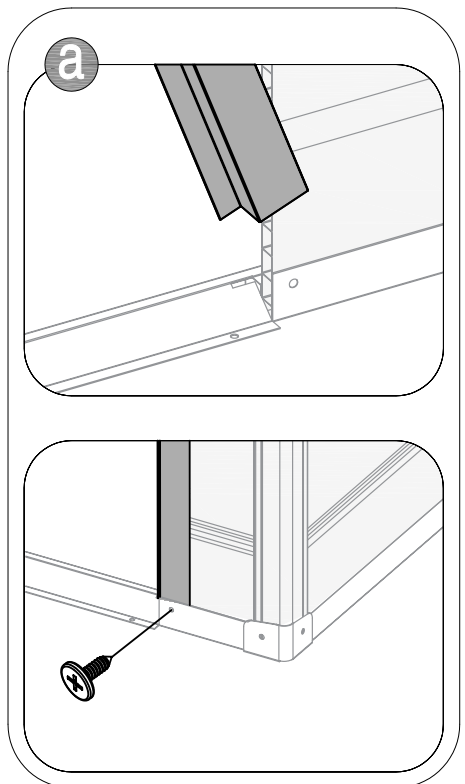
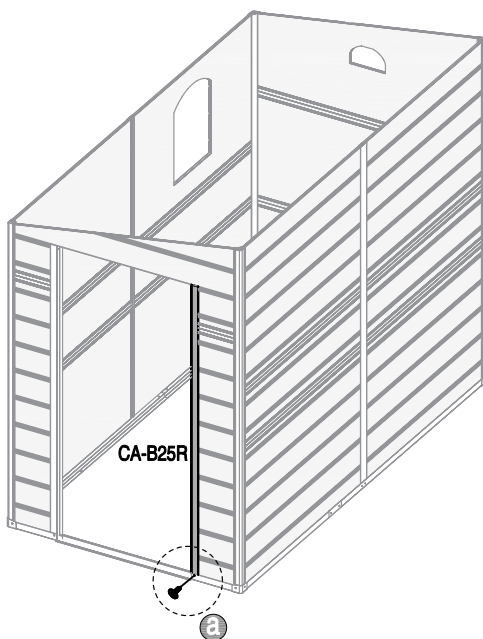
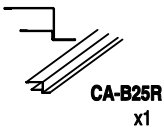
CA-B44  
x4



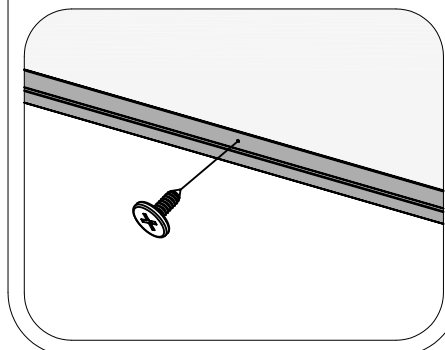
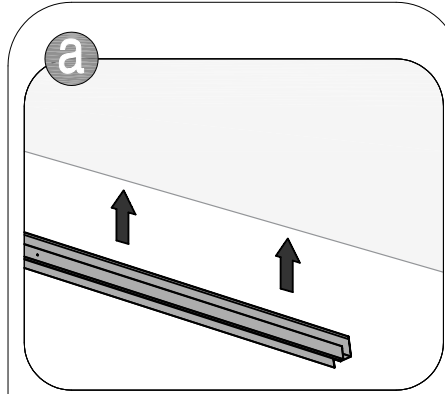
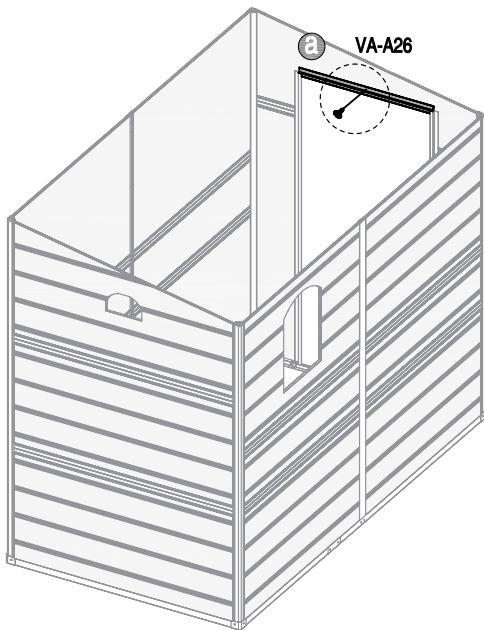
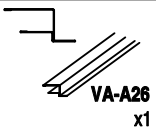
32



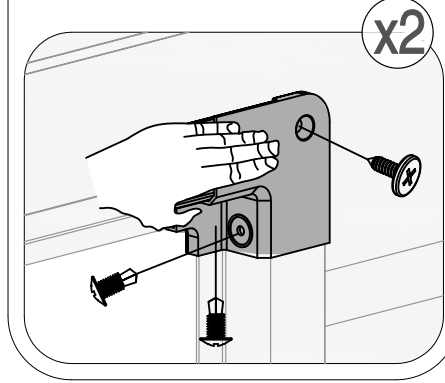
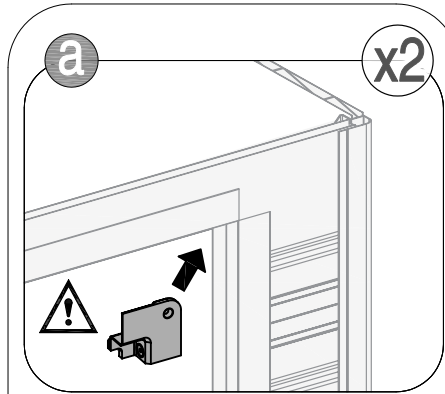
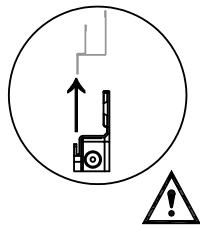
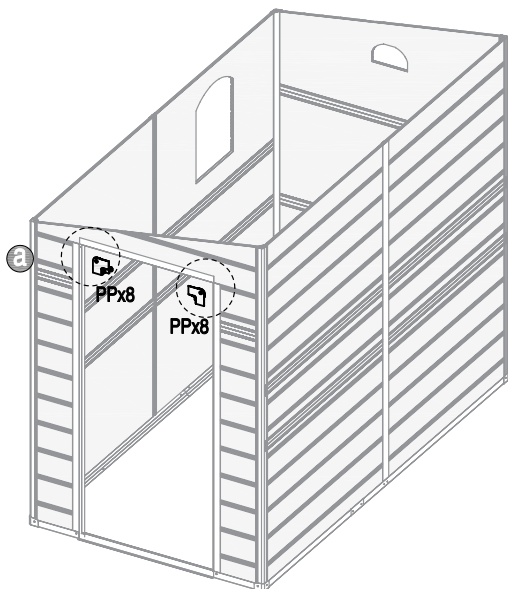
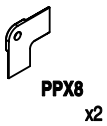
33



34



35



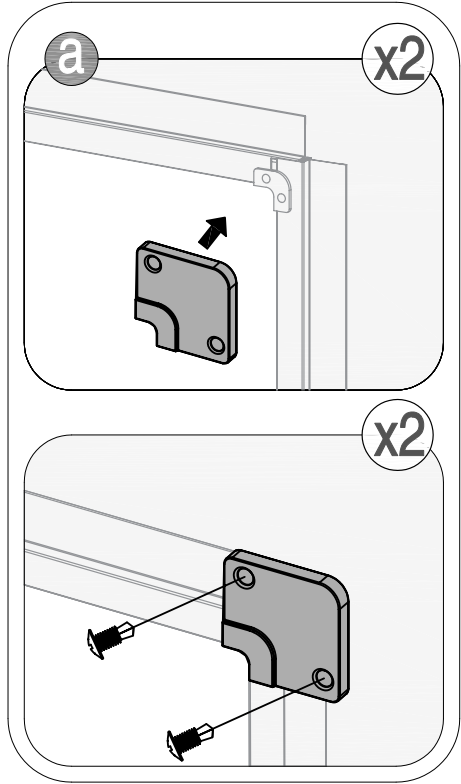
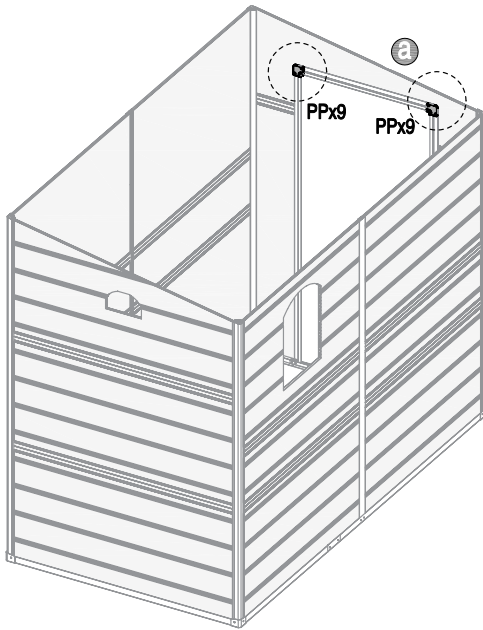
36



PPX9  
x2



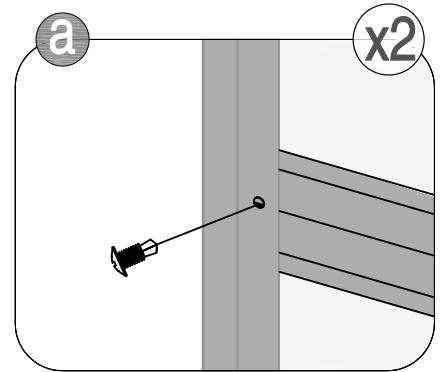
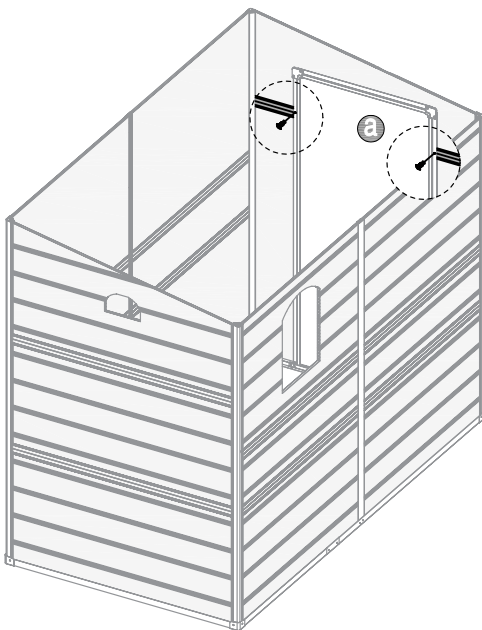
CA-B47  
x4



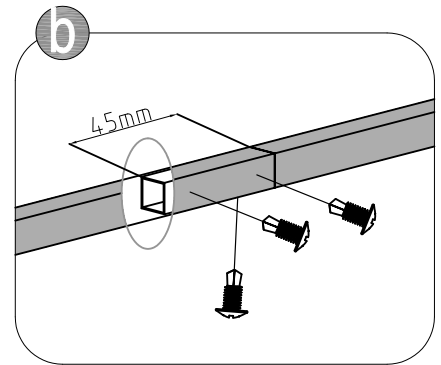
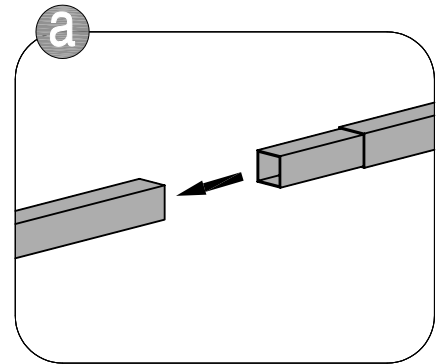
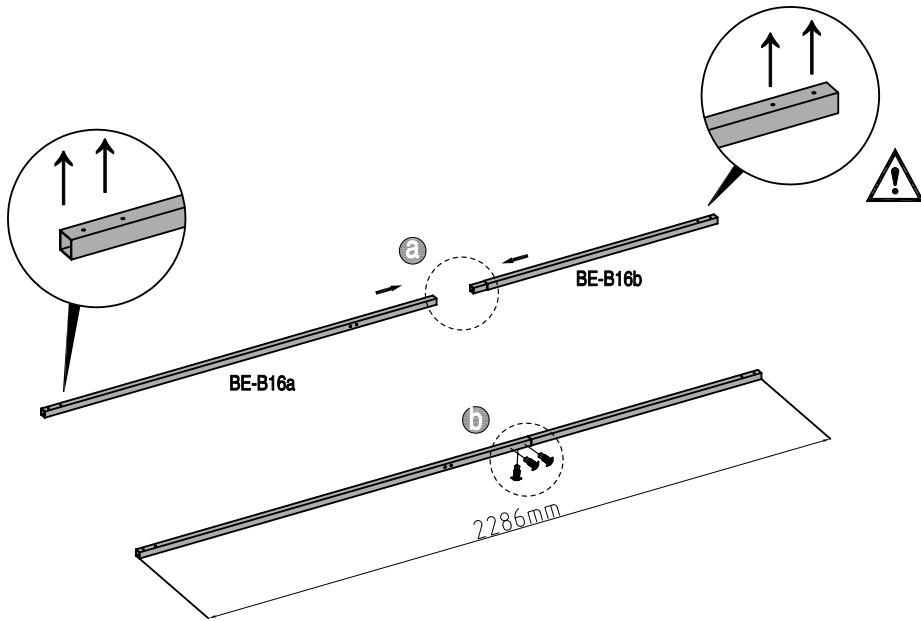
37





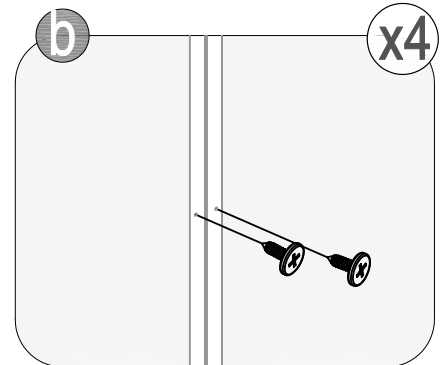
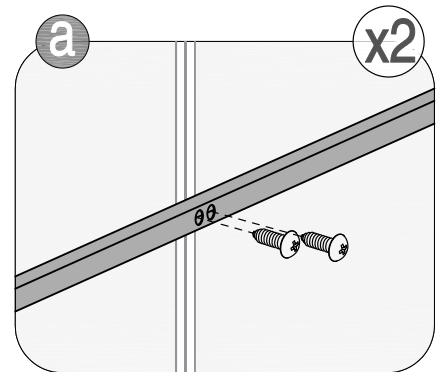
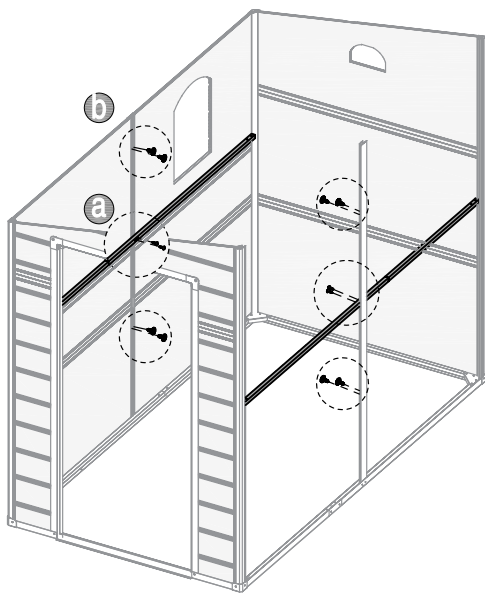
CA-B46  
x2



<b>38</b>	 <b>BE-B16a</b> x2	 <b>BE-B16b</b> x2	 <b>CA-B46</b> x6
-----------	---	---	--

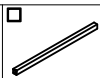


<b>39</b>	 <b>CA-B49</b> x4	 <b>CA-B44</b> x8
-----------	--	--





40



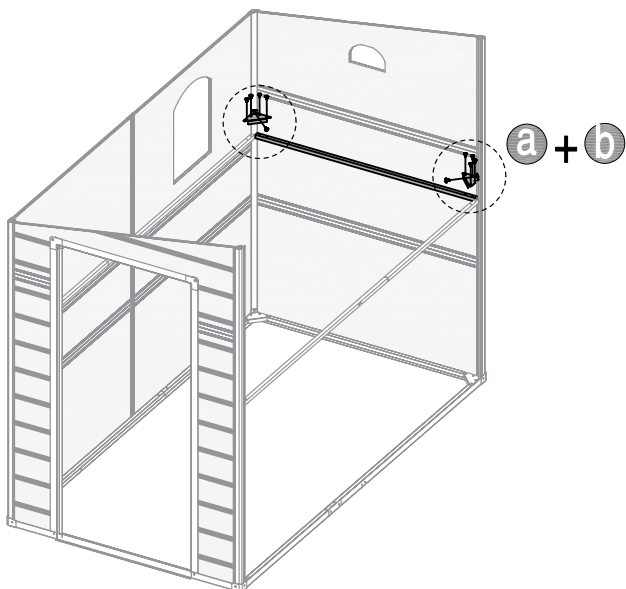
BE-B15  
x1



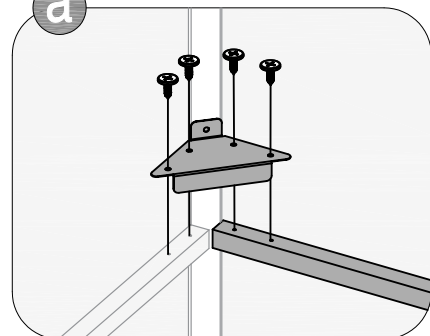
VA-30  
x2



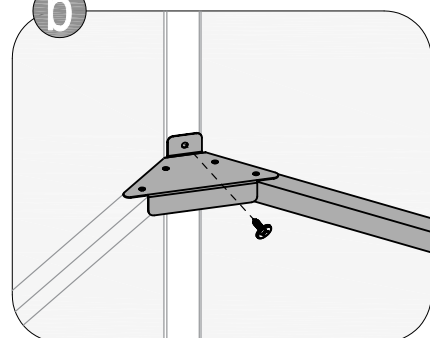
CA-B44  
x10



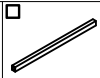
a



b



41



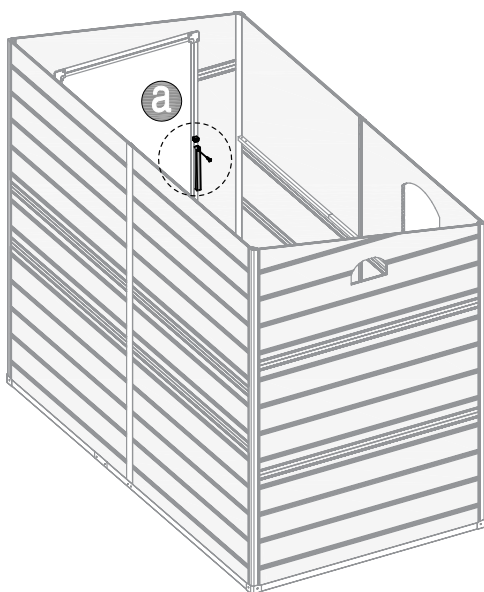
VA-F14AL  
x1



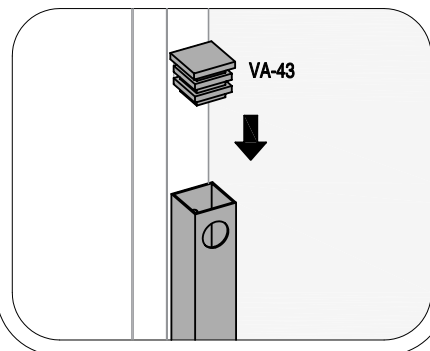
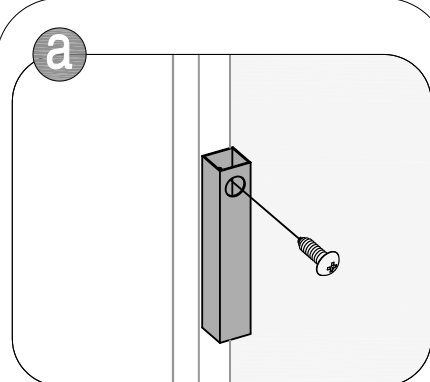
VA-43  
x1



CA-B49  
x1



a



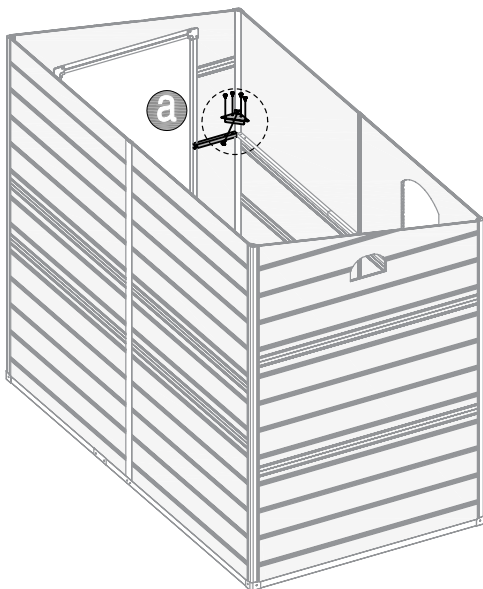
42



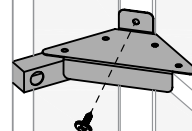
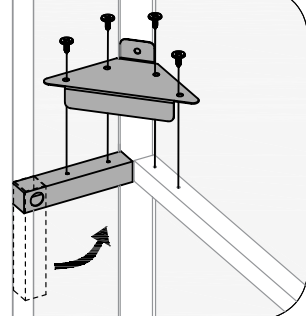
VA-30  
x1



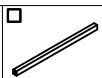
CA-B44  
x5



a



43



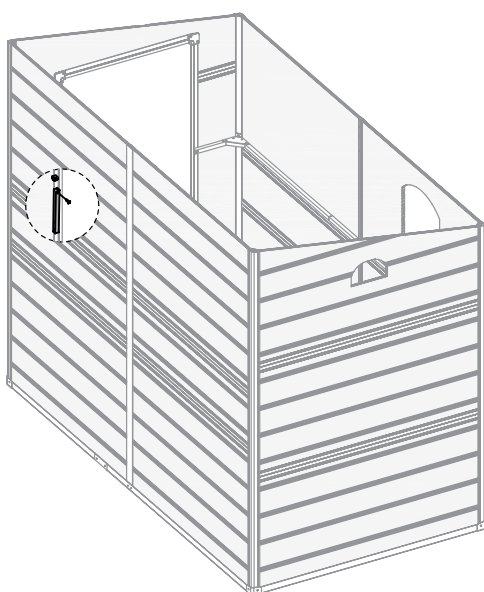
VA-F14AR  
x1



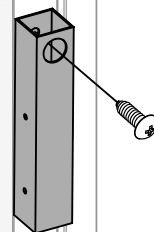
VA-43  
x1



CA-B49  
x1



a



VA-43



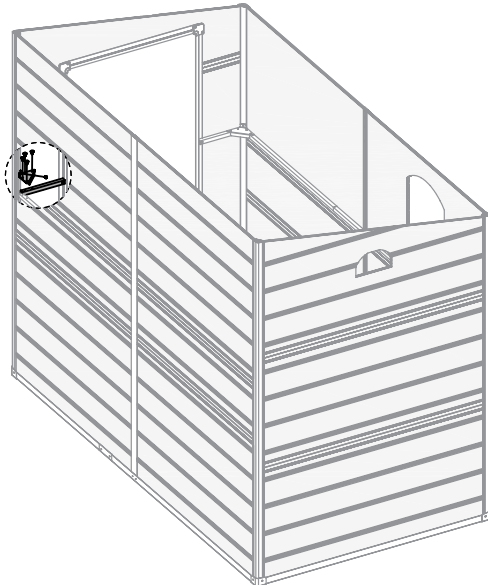
44



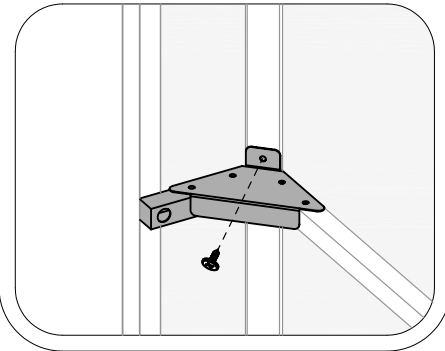
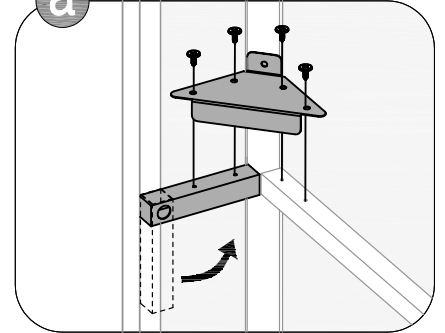
VA-30  
x1



CA-B44  
x5



a



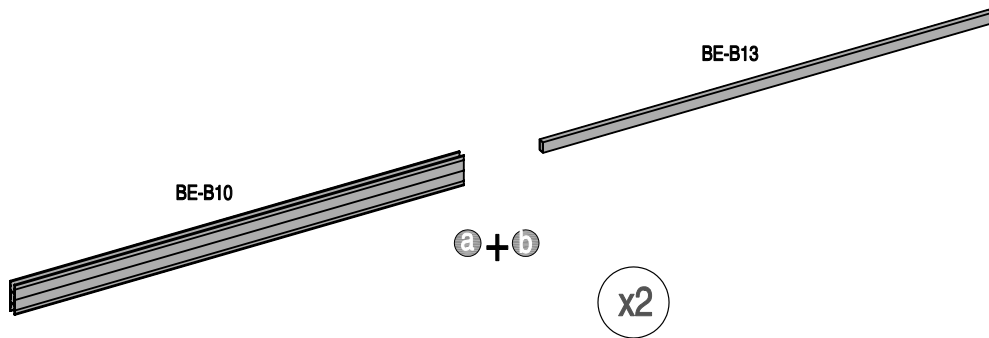
45



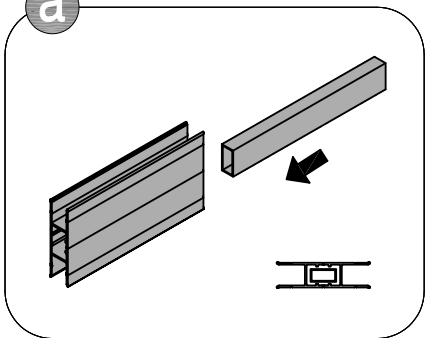
BE-B10  
x2



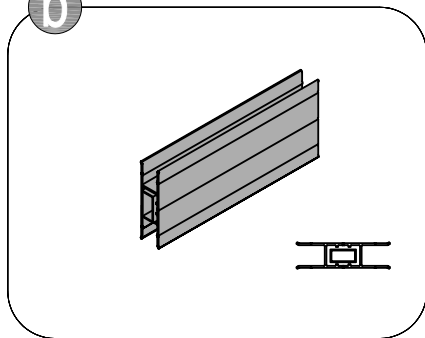
BE-B13  
x2



a



b



46



BE-B19  
x3



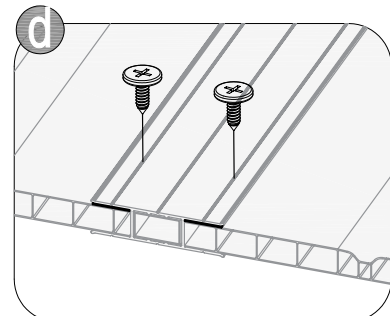
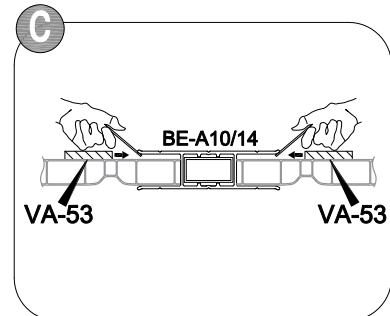
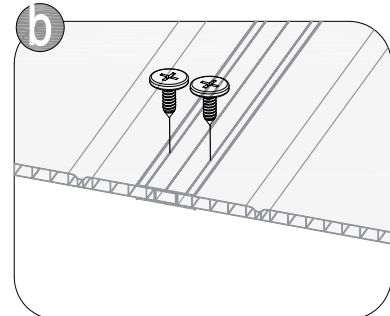
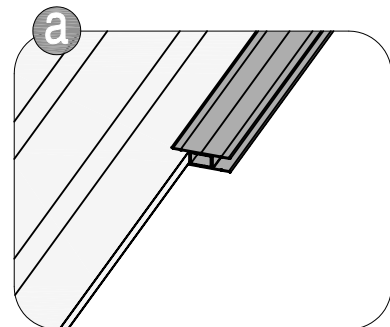
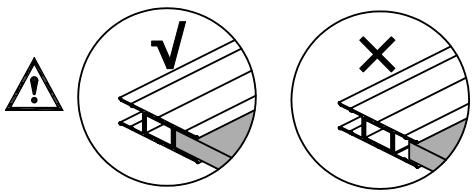
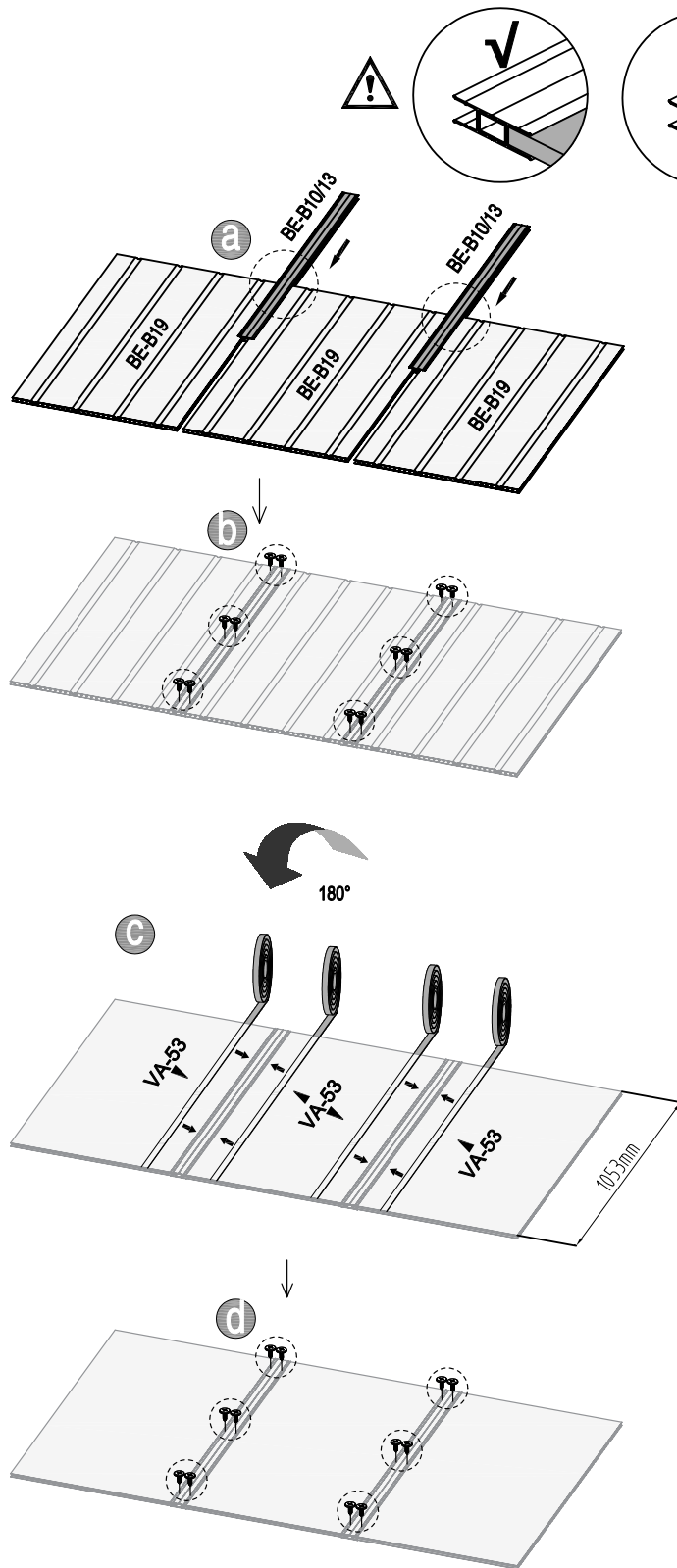
VA-53  
x1



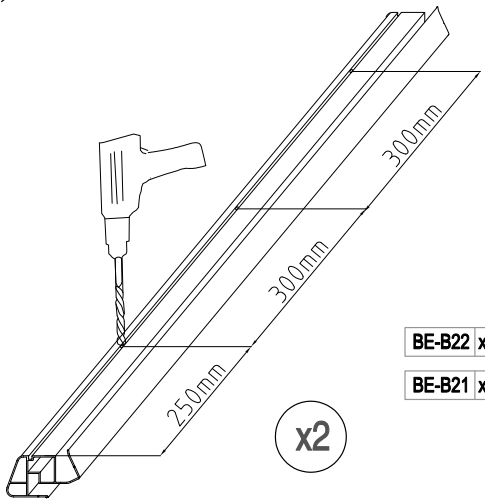
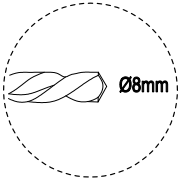
CA-B44  
x24



CN-A33

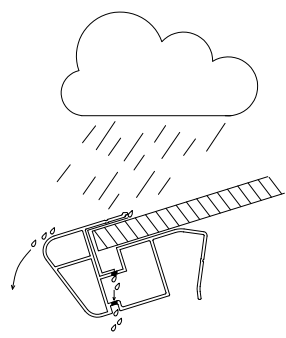
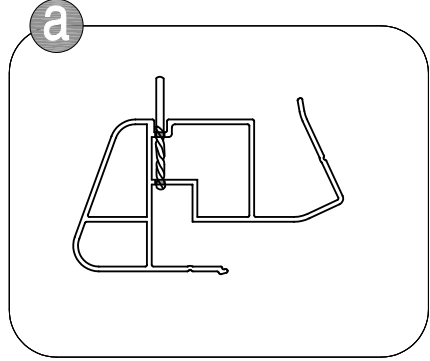




<b>47</b>	 <b>BE-B22</b> x2	
-----------	--	--

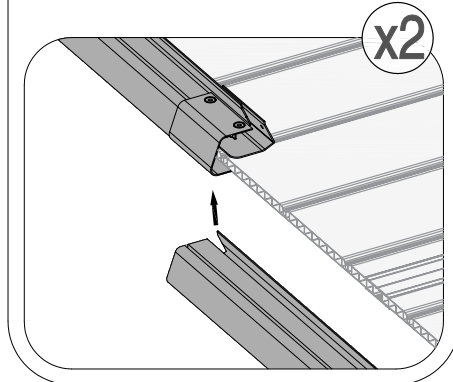
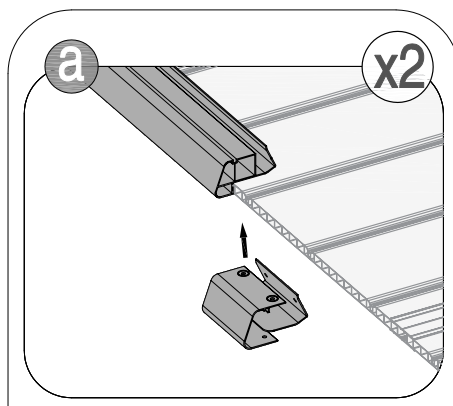
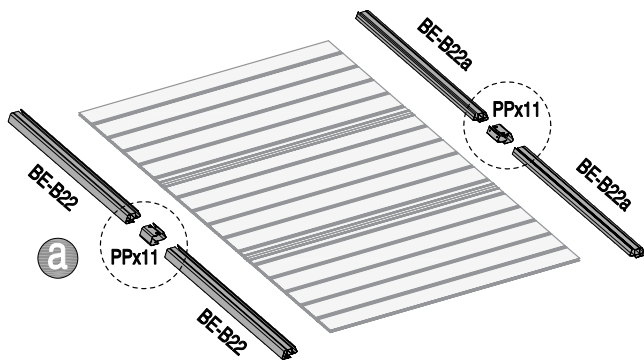
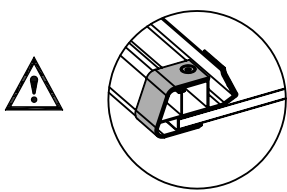



BE-B22 x2 ✓  
BE-B21 x2 ✗

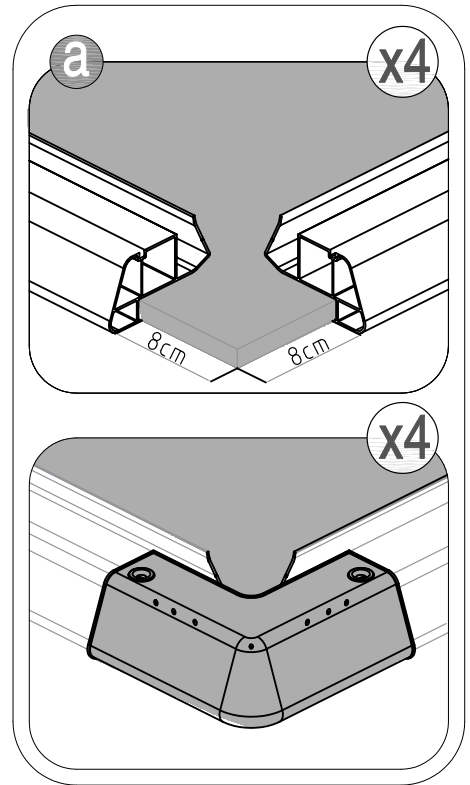
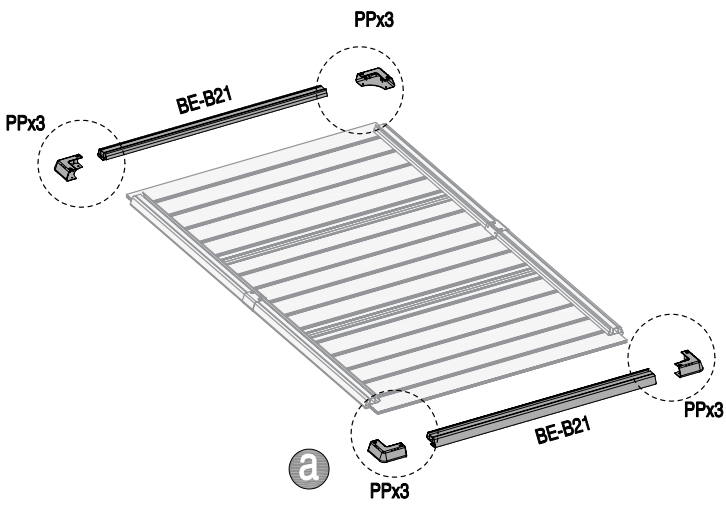
BE-B22 → BE-B22a




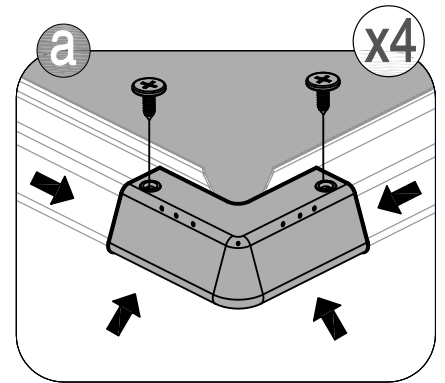
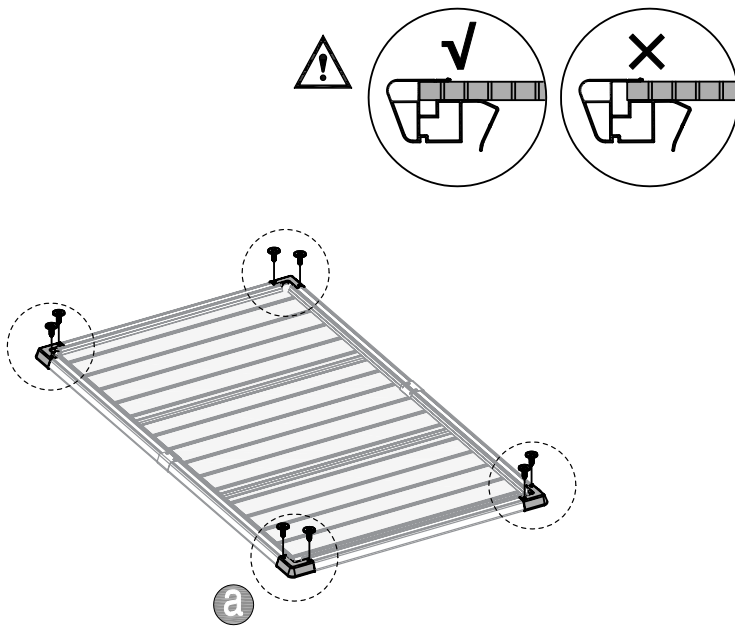
<b>48</b>	 <b>BE-B22</b> x4	 <b>PPx11</b> x2	 <b>CN-A33</b>	
-----------	--	---	--	--



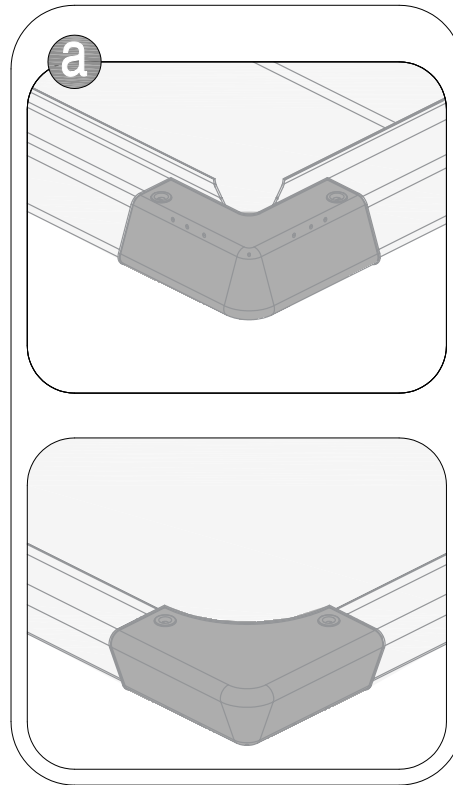
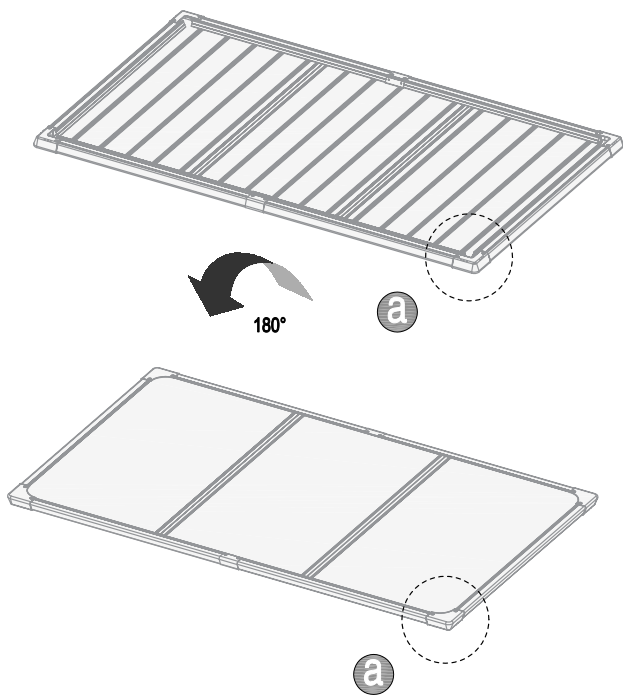
<b>49</b>	 <b>BE-B21</b> x2	 <b>PPx3</b> x4	 <b>CN-A33</b>
-----------	--	--	--



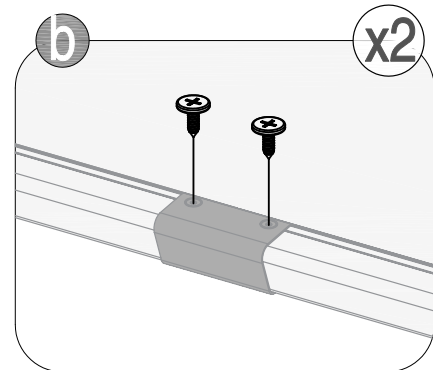
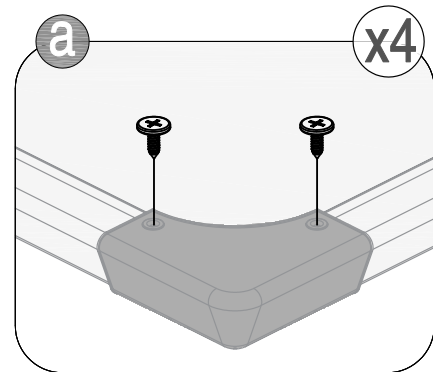
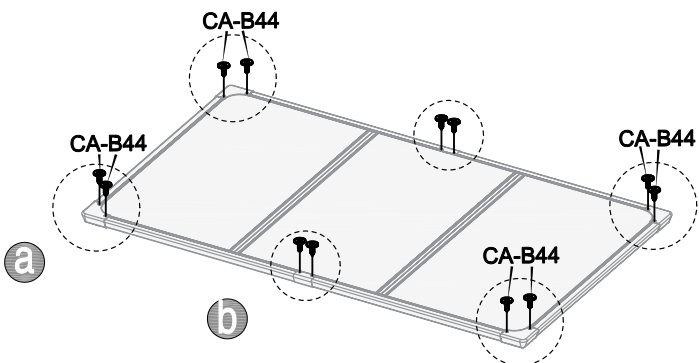
<b>50</b>	 <b>CA-B45</b> x8	
-----------	--	--



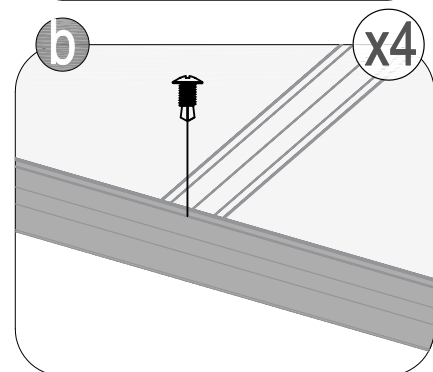
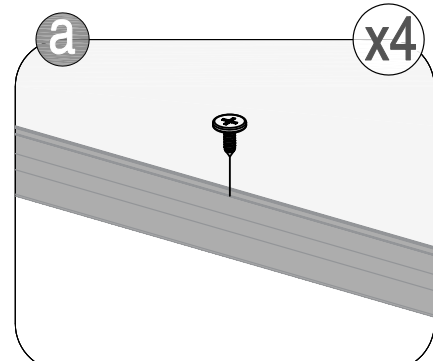
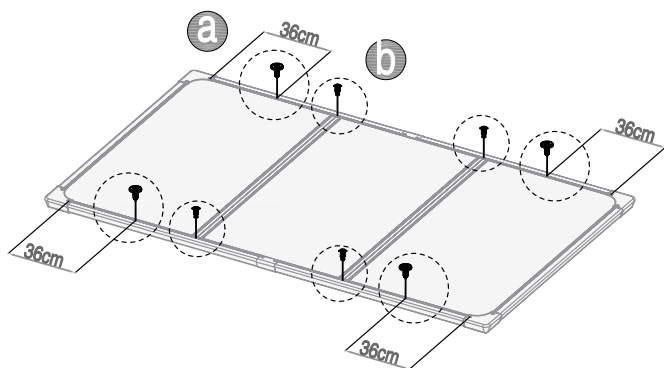
51



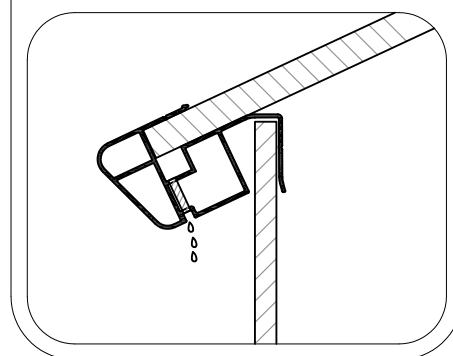
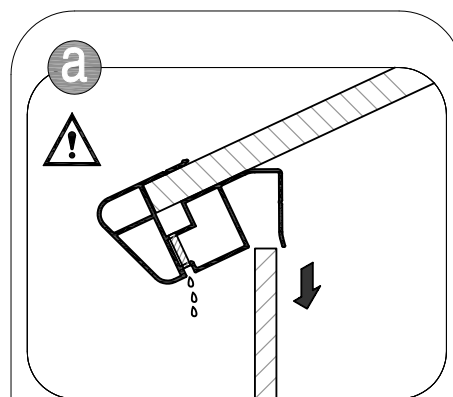
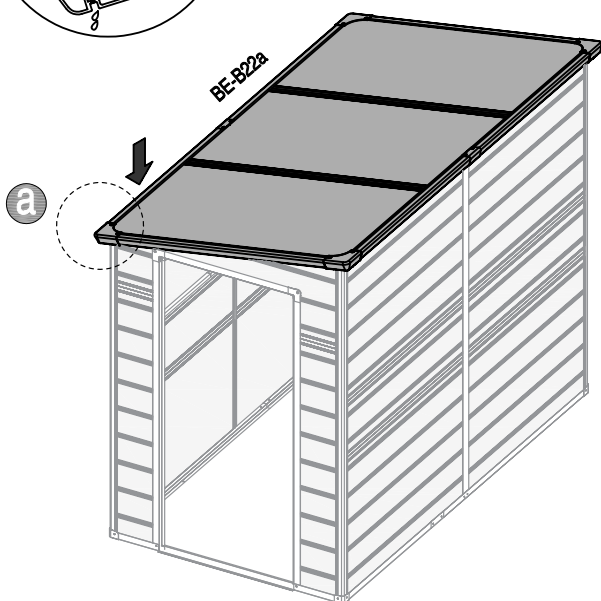
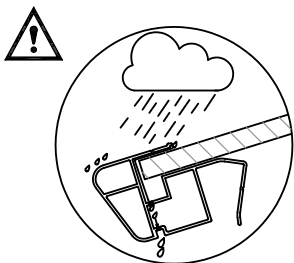
52



53



54

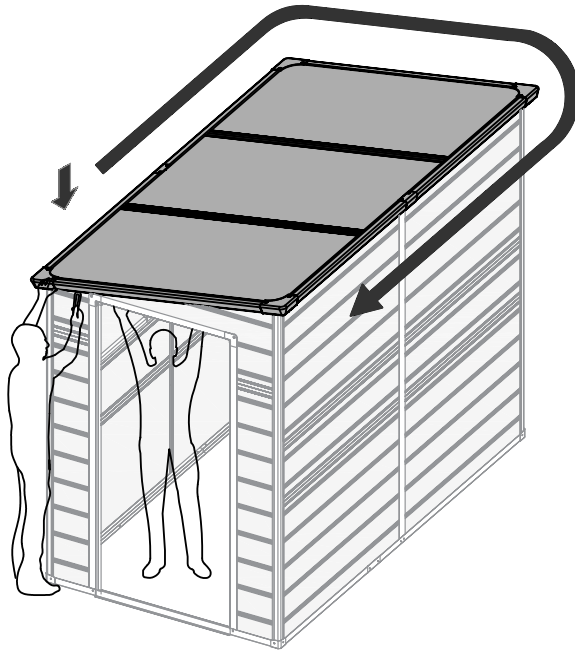




55



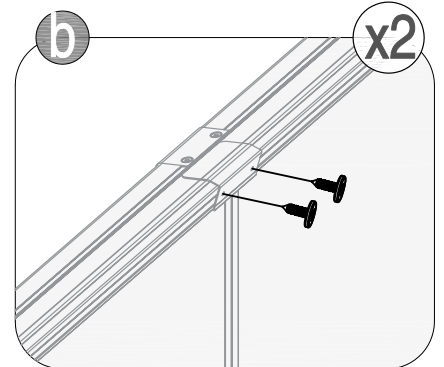
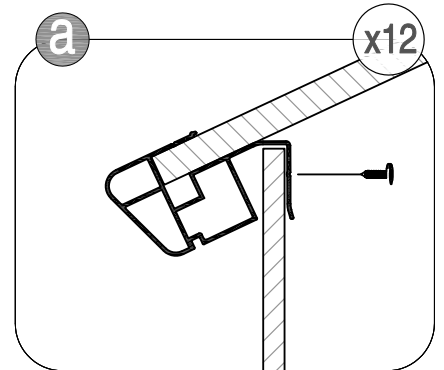
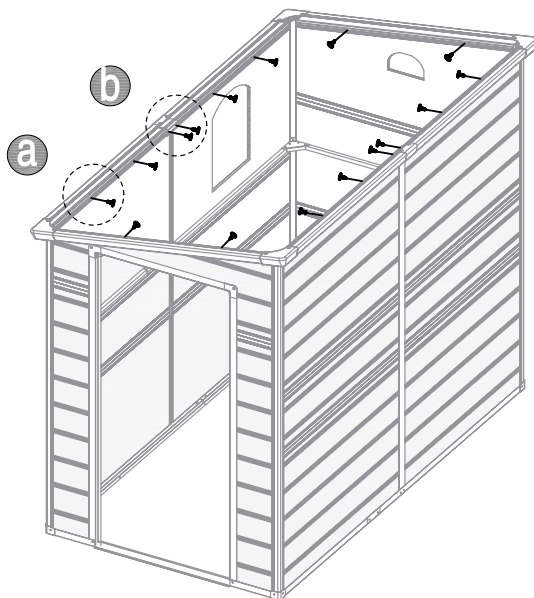
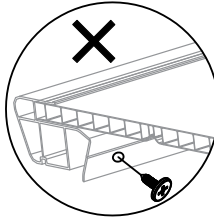
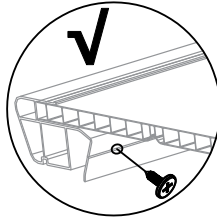
CN-A33



56



CA-B45  
x16



57



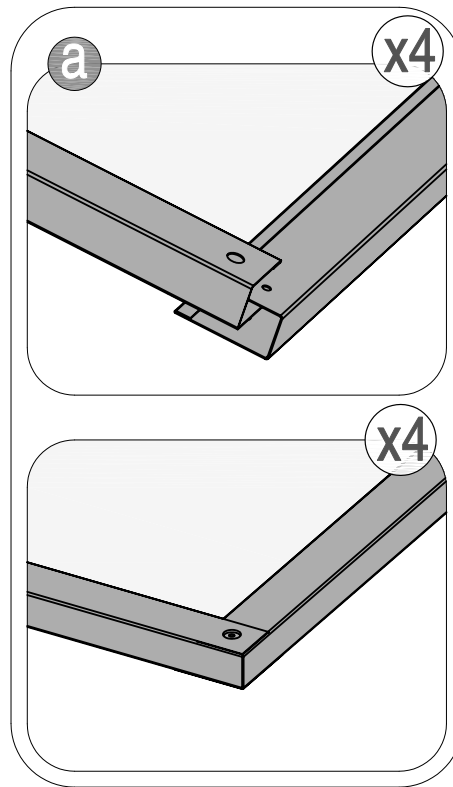
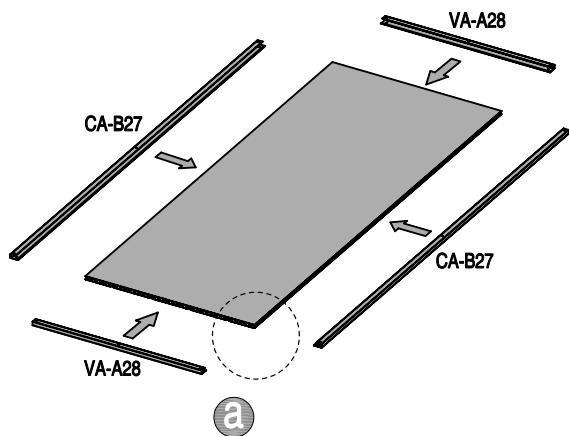
VA-A28  
x2



CA-B27  
x2



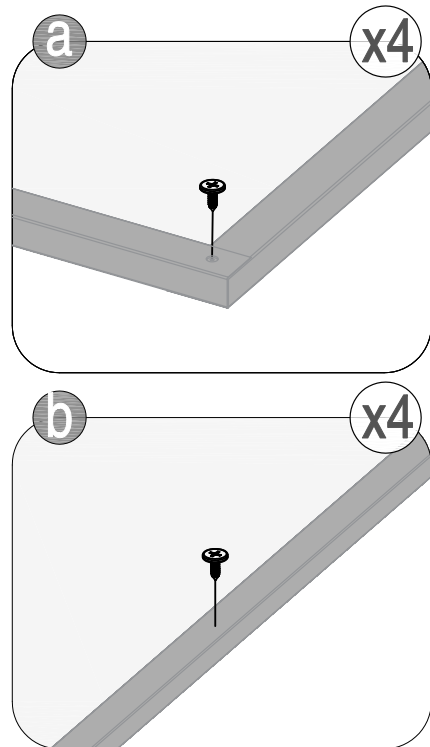
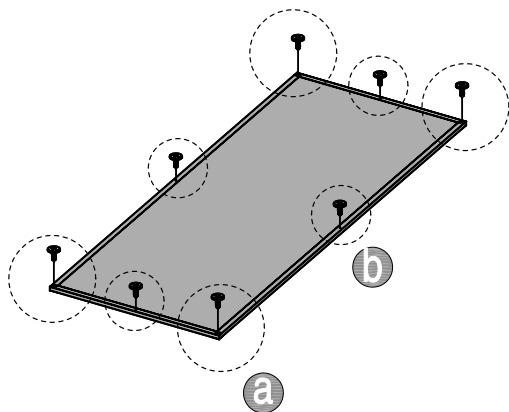
CA-B30  
x1



58



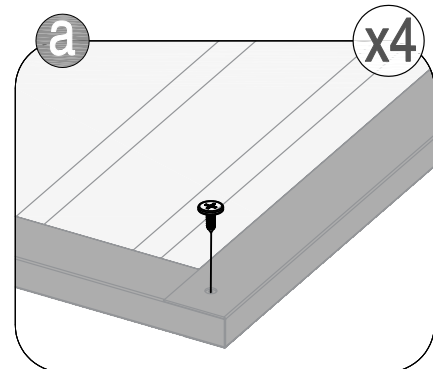
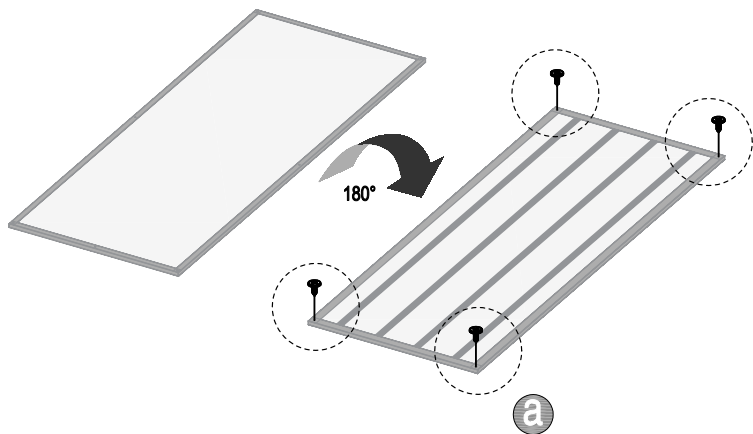
CA-B44  
x8



59



BE-B44  
x4



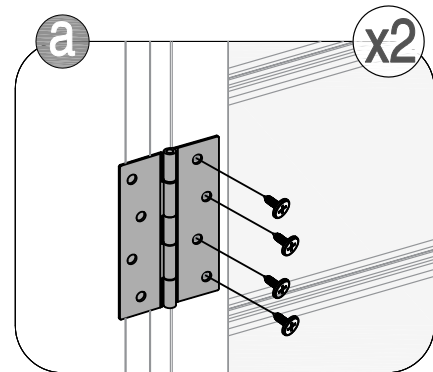
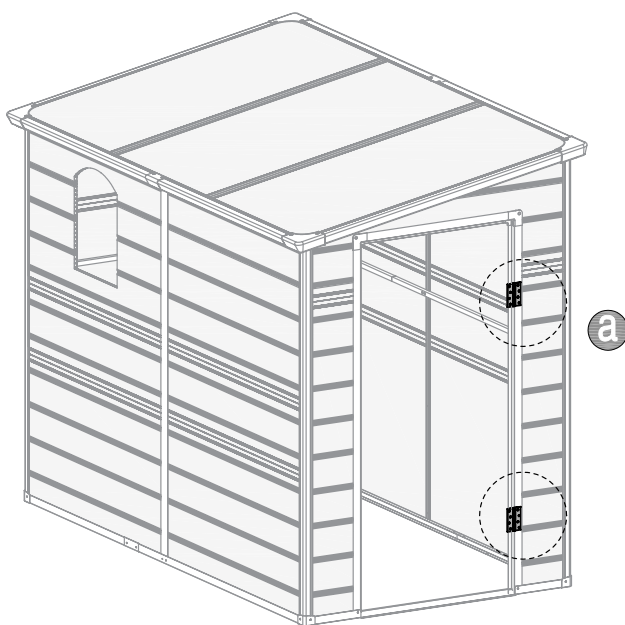
60



VA-41  
x2



CA-B44  
x8



61



VA-40  
x1



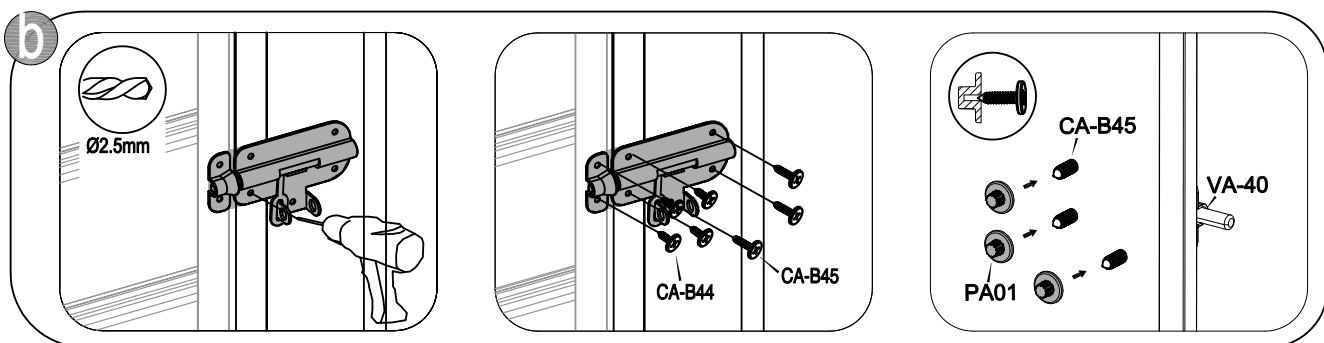
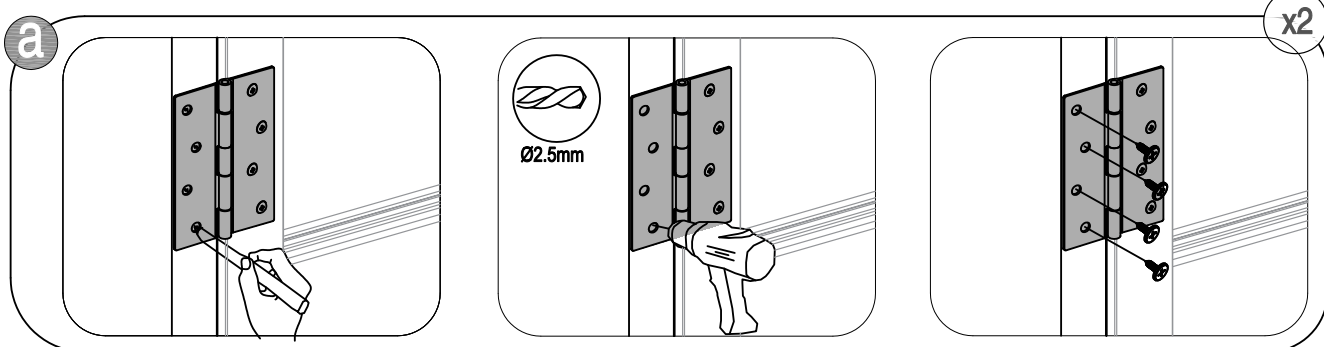
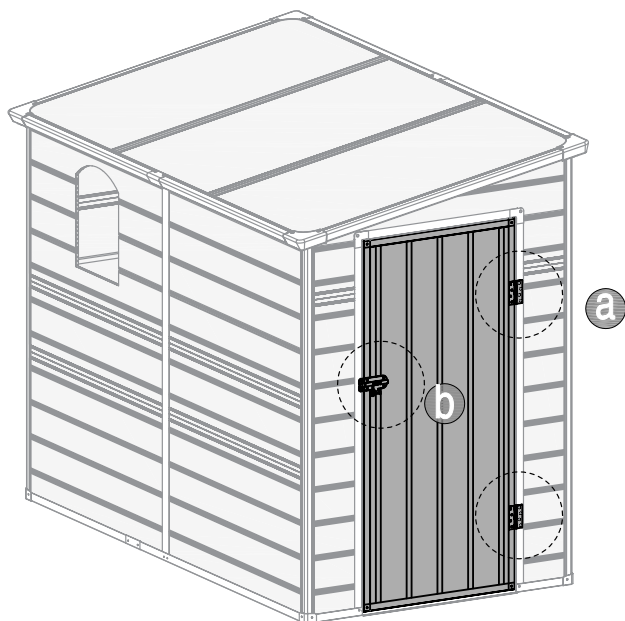
CA-B44  
x12



CA-B45  
x3



PA01  
x3



62



PPx12  
x1



W2S  
x1



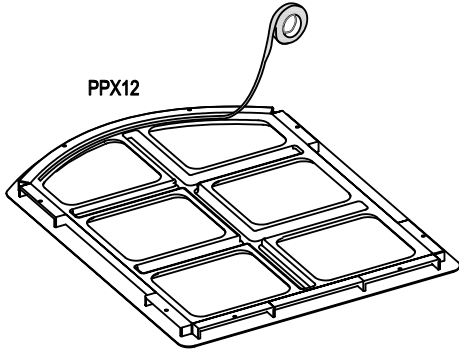
PPx13  
x1



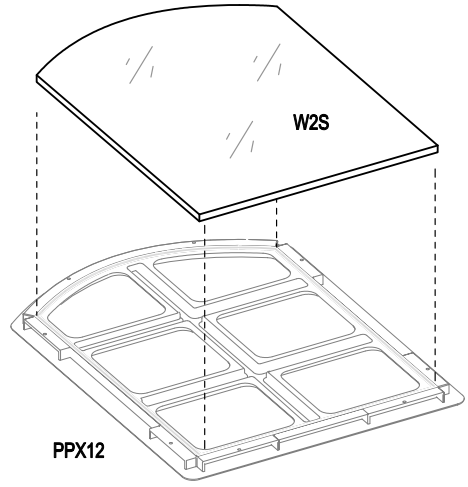
VA-51  
x1



CA-B44  
x10

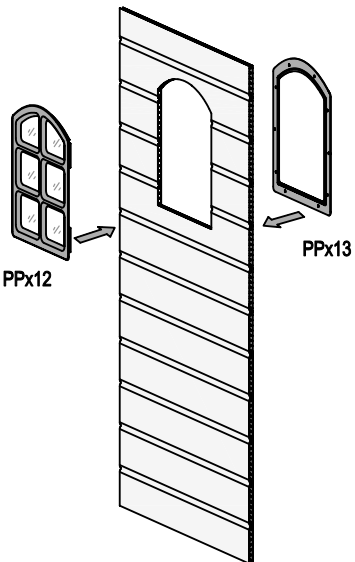


PPx12



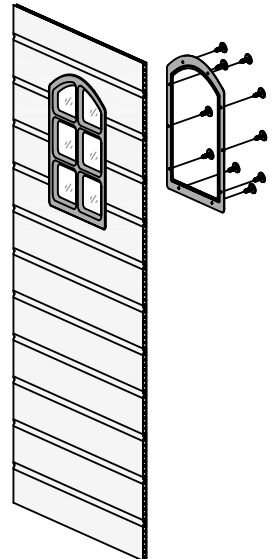
W2S

PPx12



PPx12

PPx13



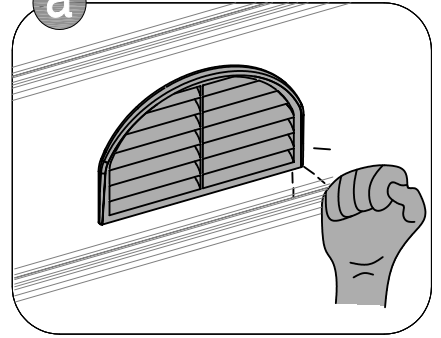
63



PPX14  
x1



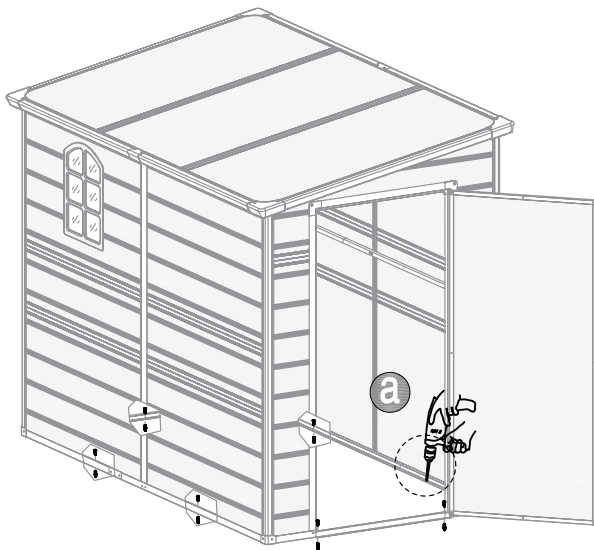
a



64



CA-B48  
x7



a

x7

