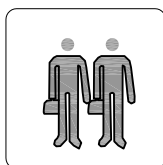
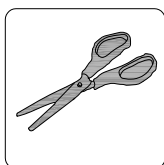
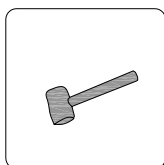
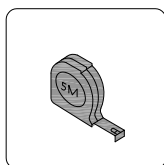
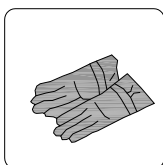
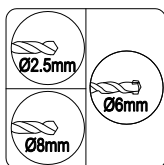
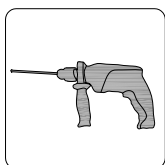
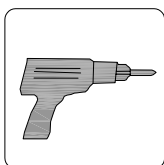




WESTMANN

MONTAGEANLEITUNG

Gerätehaus

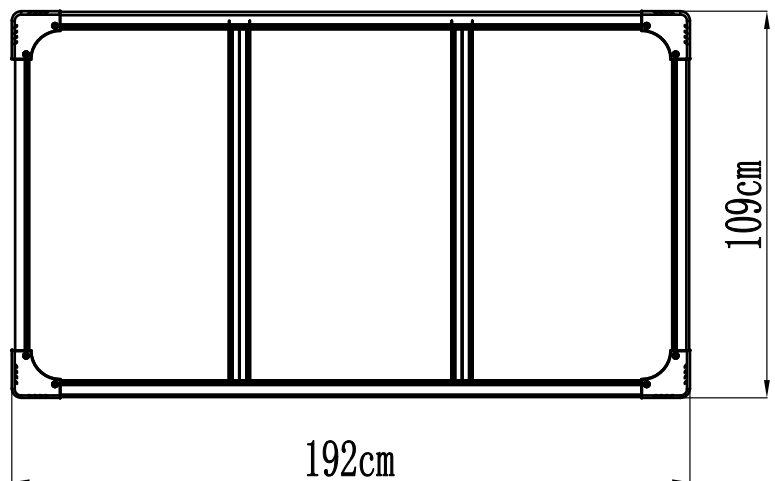
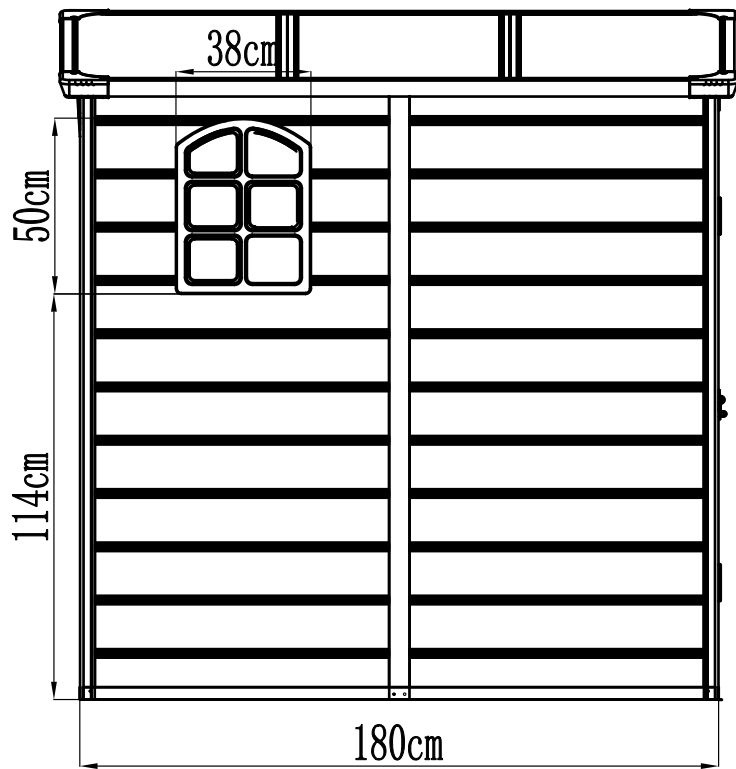
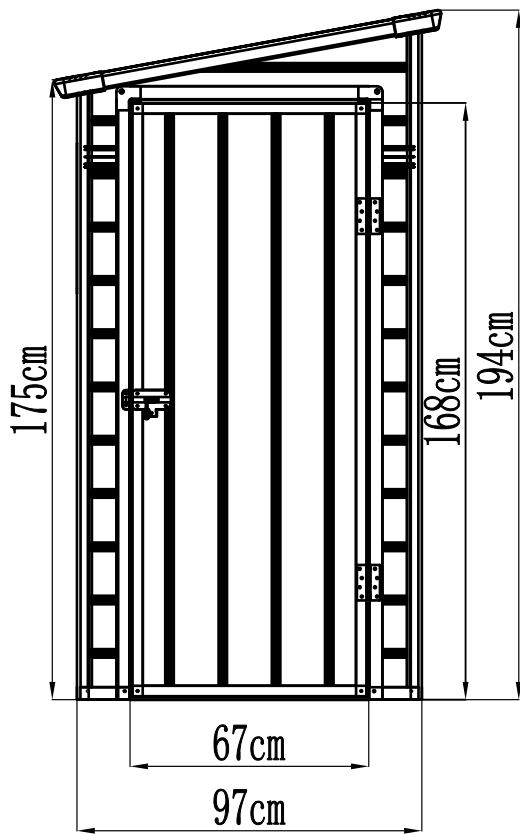




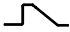














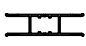




**BEI FRAGEN, KONTAKTIEREN SIE
UNSEREN KUNDENSERVICE:**


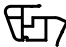
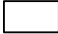




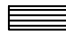




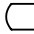











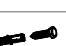


50NRTH GmbH
Straßburgstraße 14-16
D-54516 Wittlich

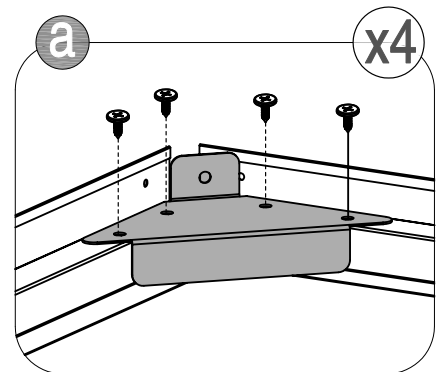
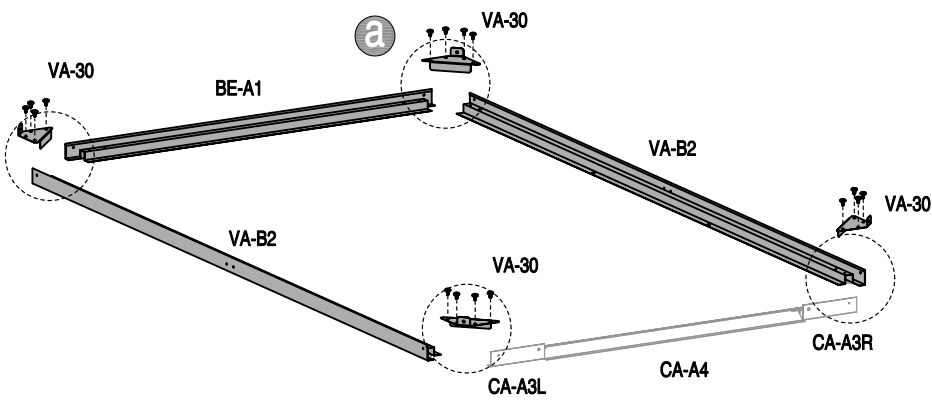
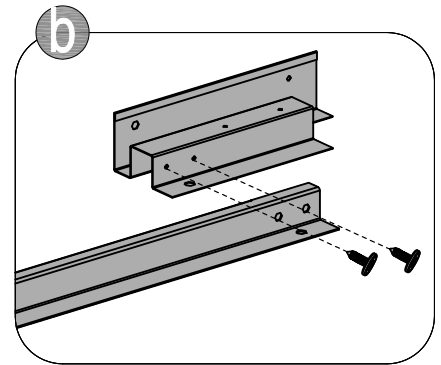
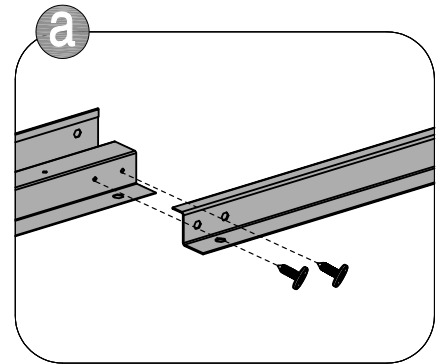
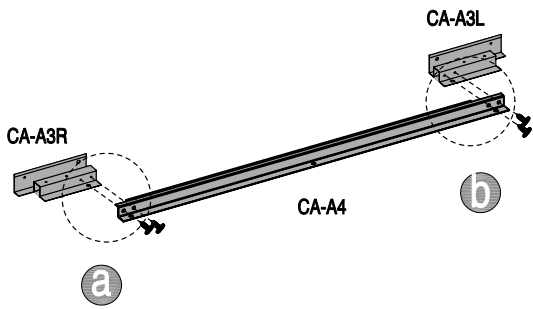
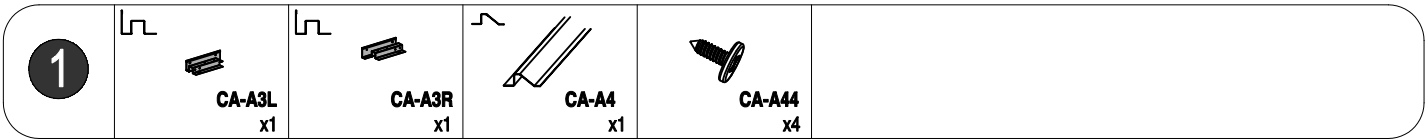
service@50NRTH.com
+49 (0) 6571 95117-0


Size of CARA-A:

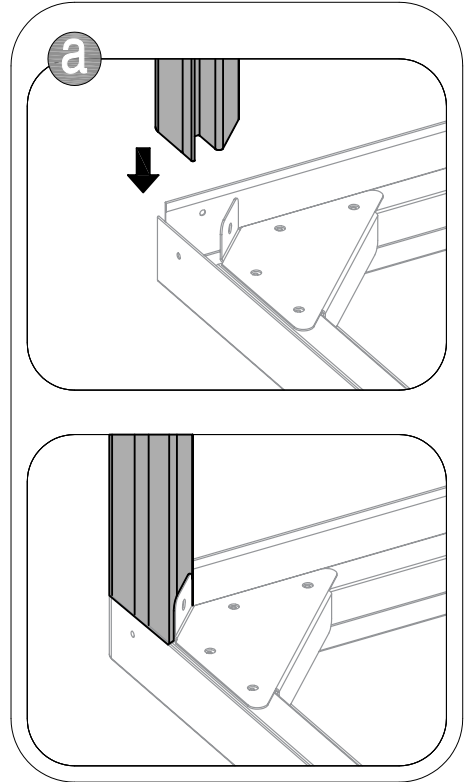
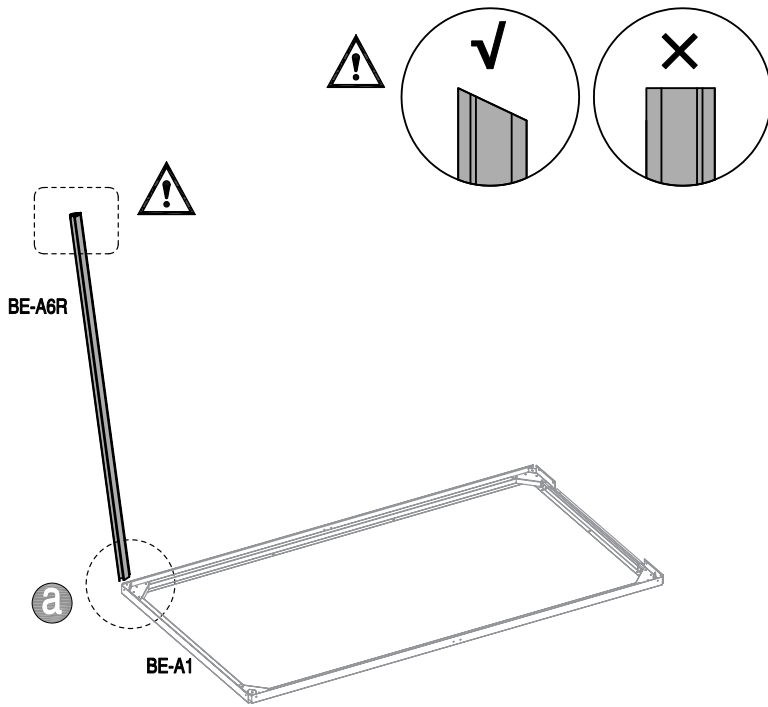


NO.	IMAGE	mm	QTY
			
	BE-A1	952	x1
	VA-B2	1780	x2
	CA-A3L	140	x1
	CA-A3R	140	x1
	CA-A4	752	x1
	VA-30		x8
	VA-31		x4
			
	VA-B5	1740	x1
	CA-A5	1910	x1
	VA-G15	1723	x2
	CA-A16	894	x1
	CA-A14L	106	x1
	CA-A14R	106	x1
	BE-A6L	1910	x1
	BE-A6R	1910	x1
	BE-A7L	1748	x1
	BE-A7R	1748	x1
	CA-A8a	927x370	x1
	CA-A8b	126x1516	x2
	BE-A8a	927x648	x1
	BE-A8b	927x716	x1
	BE-A8cR	927x498	x1
	PA1	876x1740.5	x1
	PA1S	876x1740.5	x1
	CA-A9	876x1910	x2
	CA-A12	126	x2
	BE-A11	927	x2
	CA-A13	126	x2
	BE-A15	927	x2
	CA-A25L	1690	x1
	CA-A25R	1690	x1
	CA-A26	673	x1
	PPX8		x2
	PPX9		x2

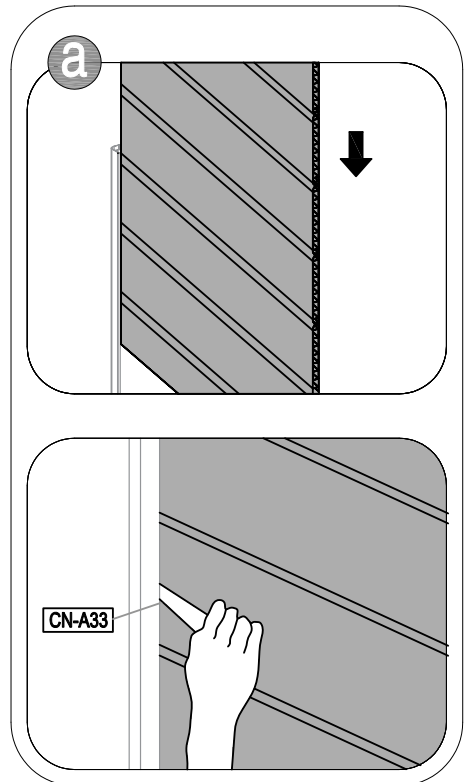
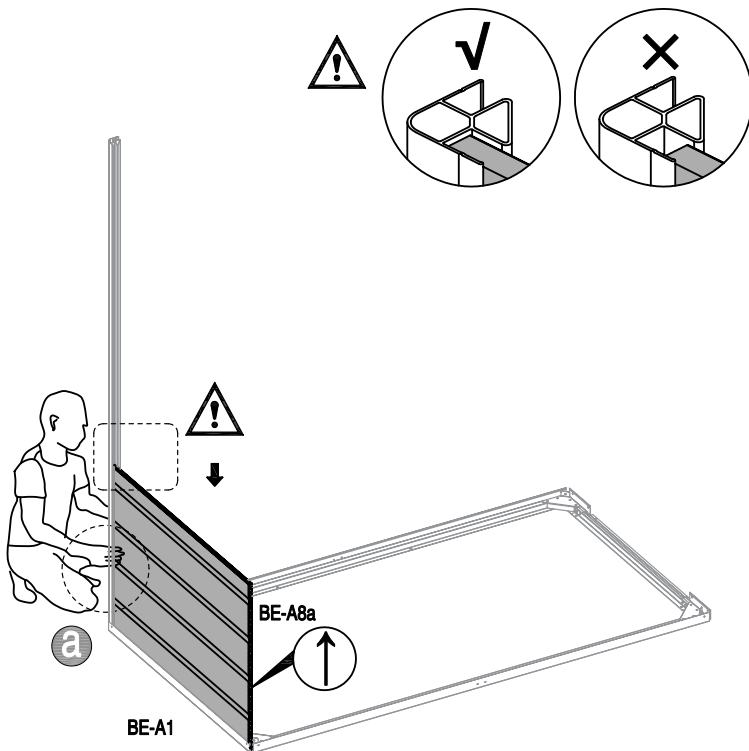
NO.	IMAGE	mm	QTY
			
	BE-A21	893	x2
	BE-A22	1698	x2
	BE-A19	1053x603	x3
	BE-A10	1053	x2
	BE-A14	1053	x2
	PPX3		x4
			
	CA-A30	1670x660	x1
	CA-A27	1670	x2
	CA-A28	660	x2
			
	PPx12		x1
	PPx13		x1
	W2S		x1
	PPX14		x1
	VA-51		x1
	VA-53		x1
	VA-43		x2
	VA-41		x2
	VA-40		x1
	PA01		x3
	CA-A44	ST4.2x13	x143
	CA-A45	ST4.2x19	x83
	CA-A46	ST4.2x13	x6
	CA-A47	ST4.2x19	x4
	CA-A48	ST6.0x40	x7
	CA-A49	ST4.2x10	x6
	CN-A33		x2



3	 BE-A6R x1	
----------	--	--



4	 BE-A8a x1	 CN-A33	
----------	--	--	--



5



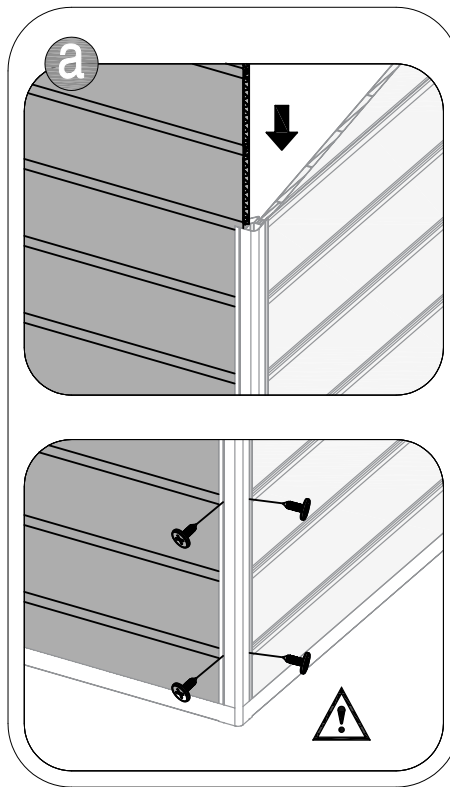
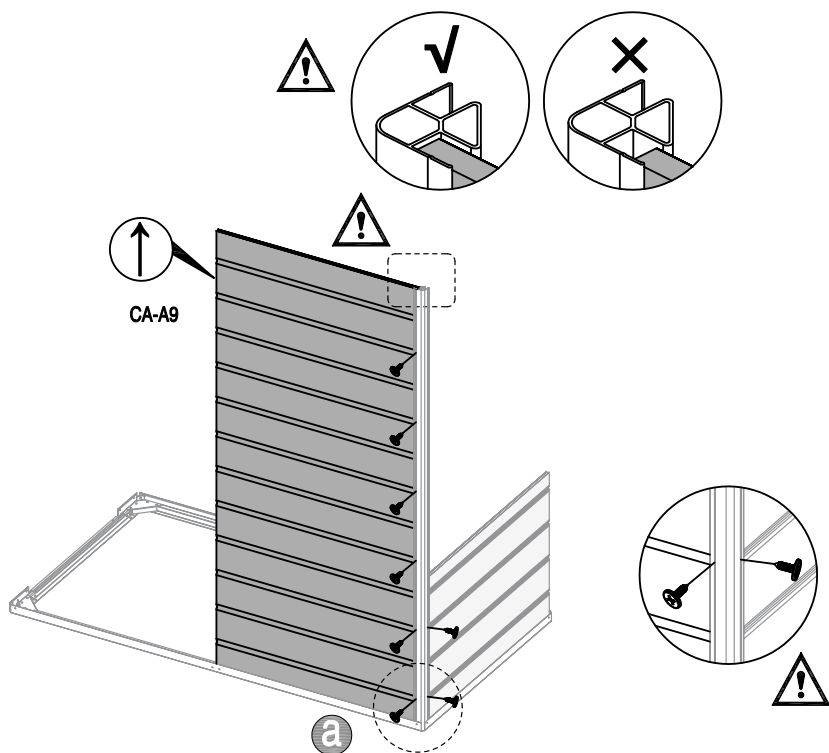
CA-A9
x1



CA-A45
x8



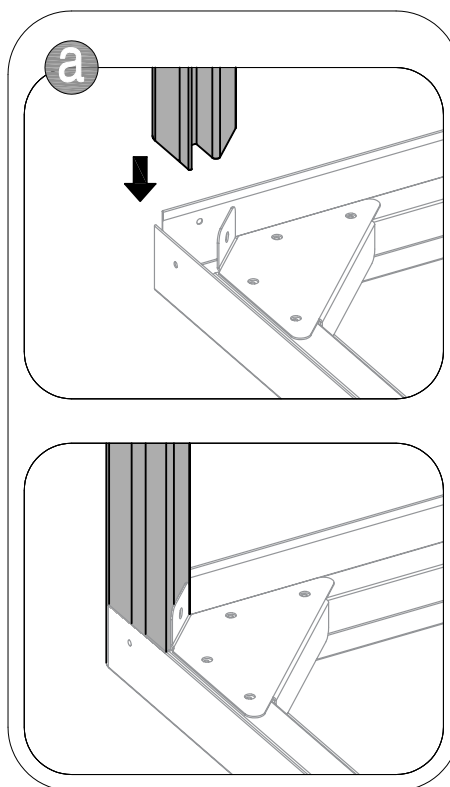
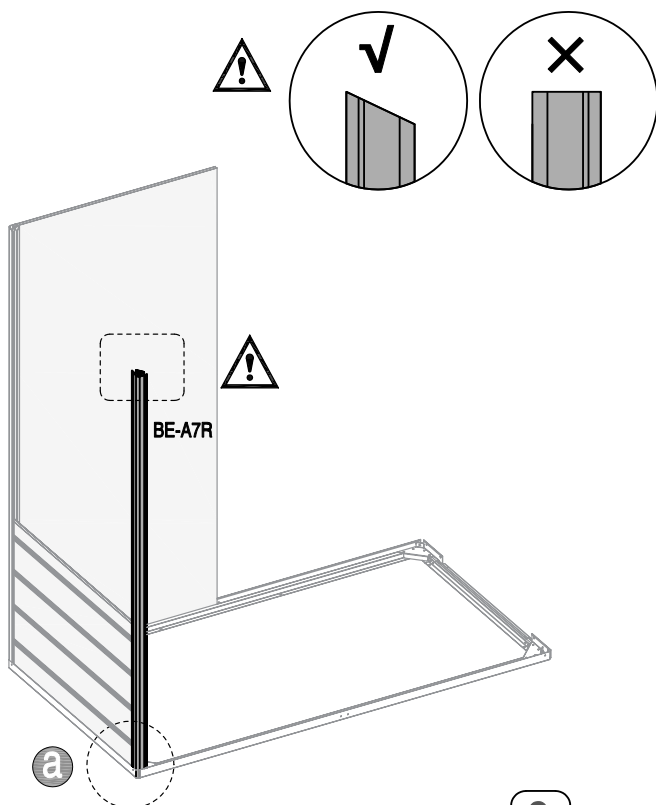
CN-A33

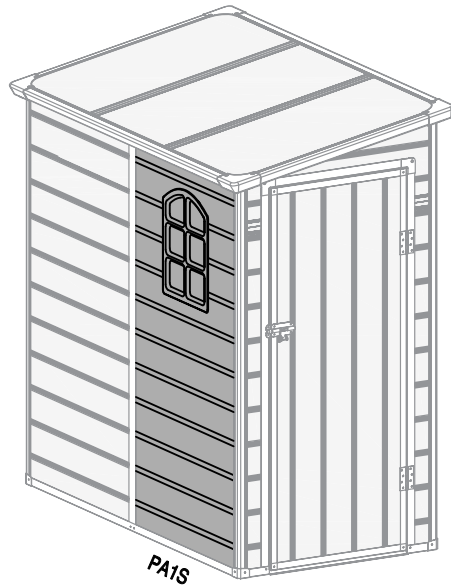
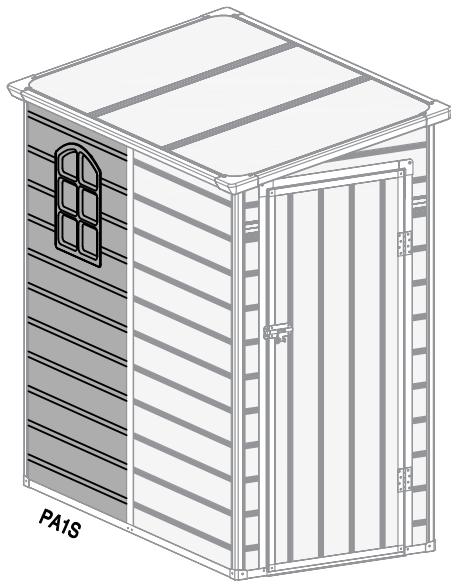


6



BE-A7R
x1





7



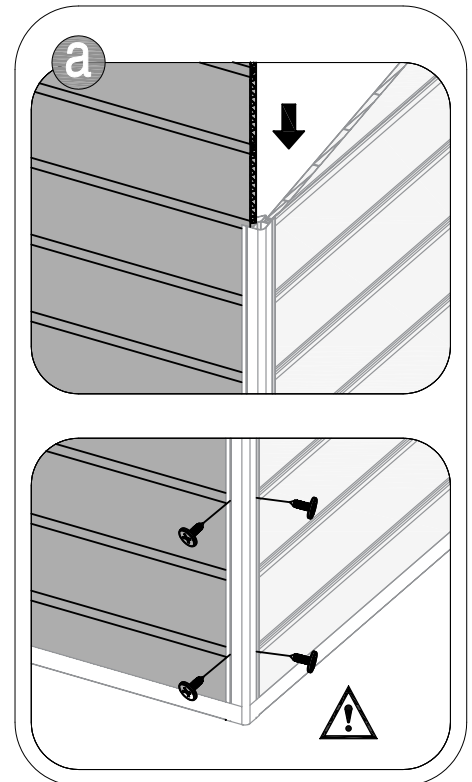
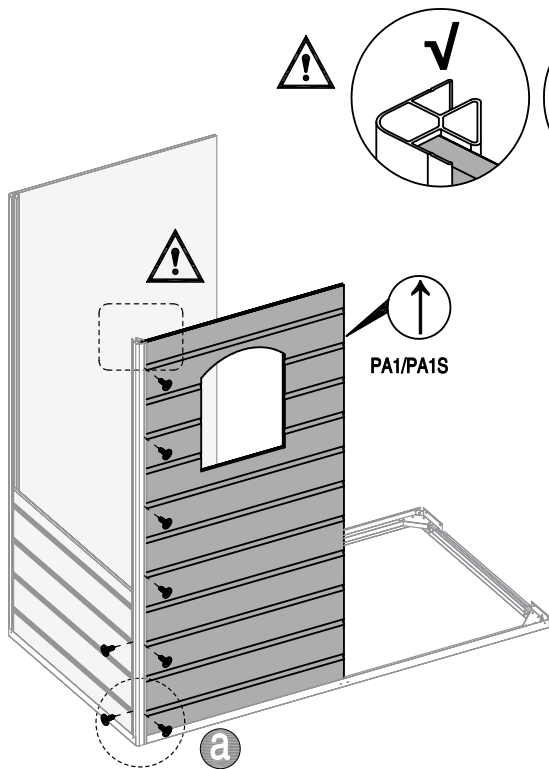
PA1/PA1S
x1




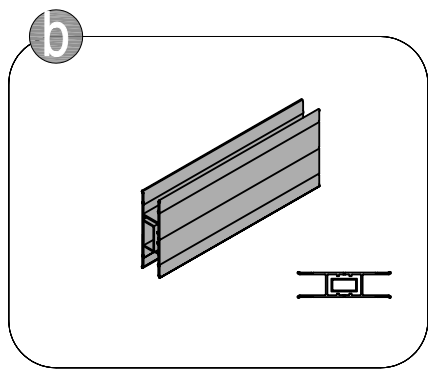
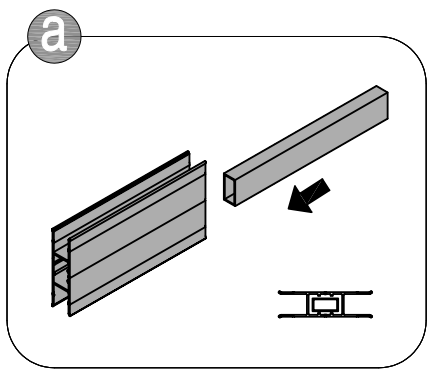
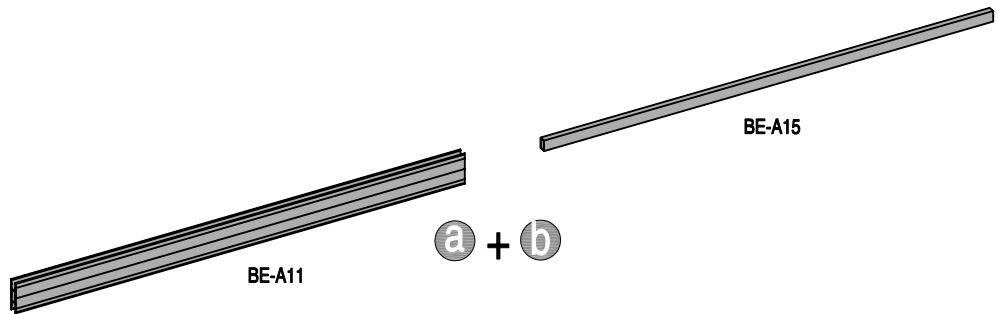
CA-A45
x8



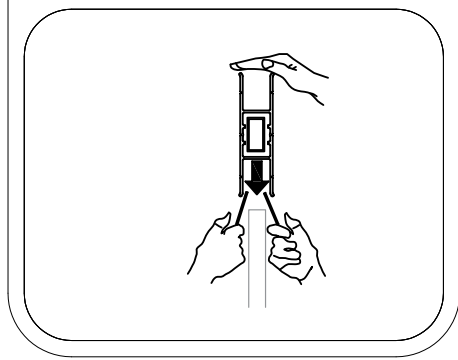
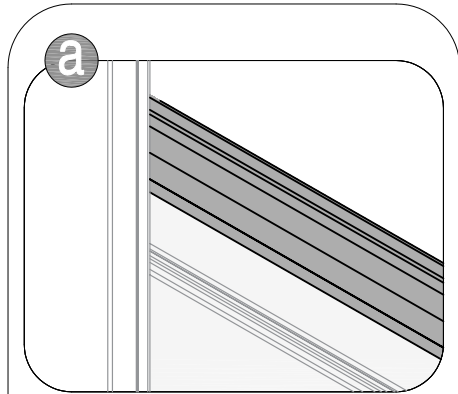
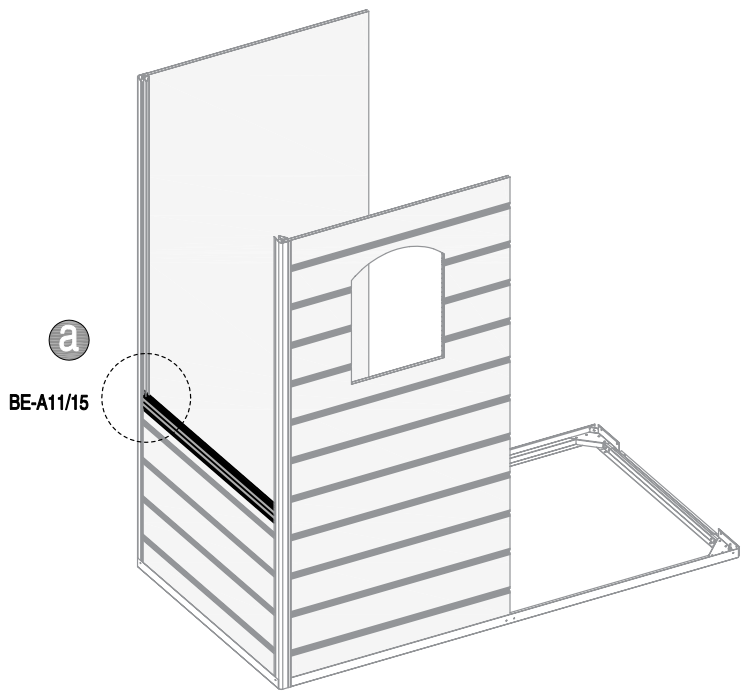
CN-A33



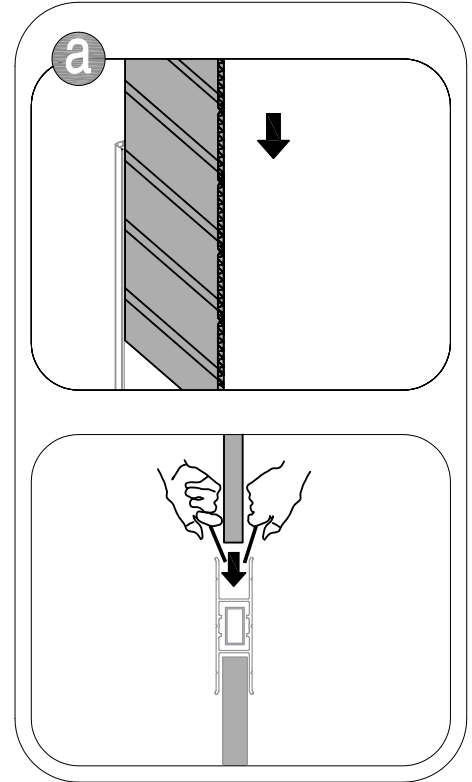
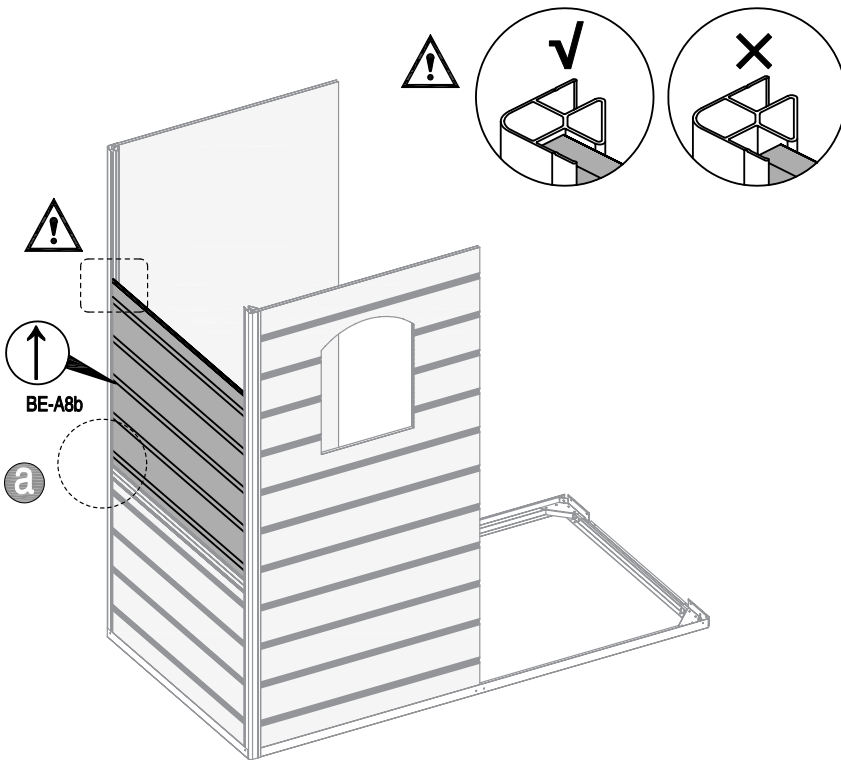
8	 BE-A11 x1	 BE-A15 x1	
---	---	---	--



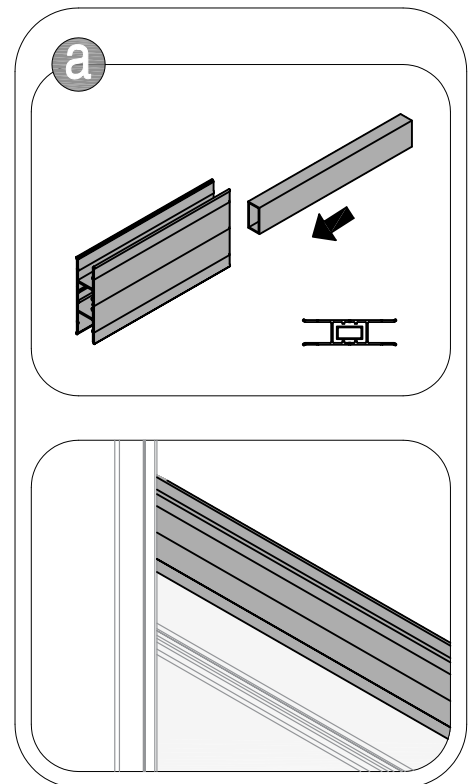
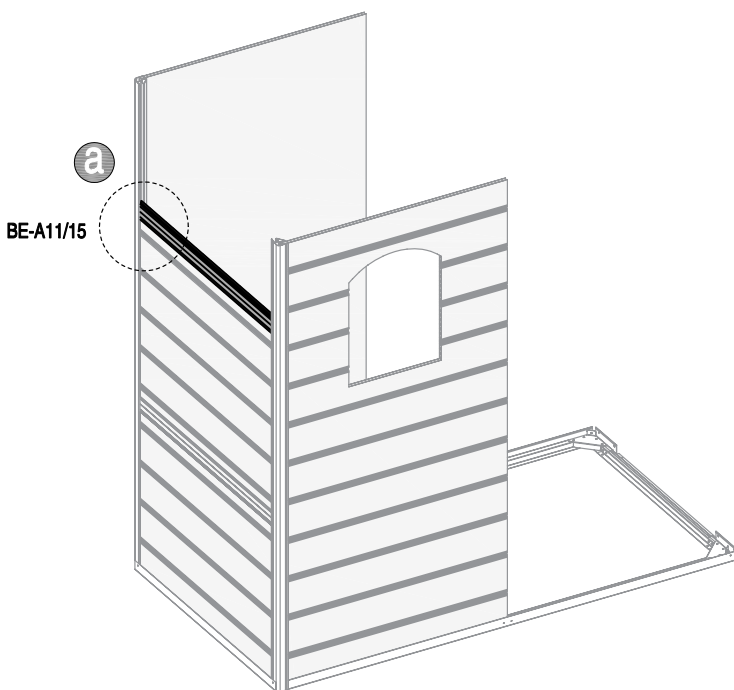
9	 CN-A33	
---	---	--




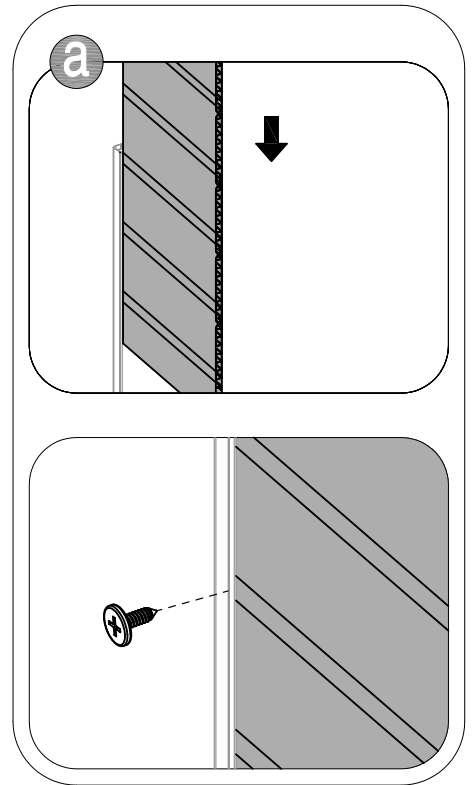
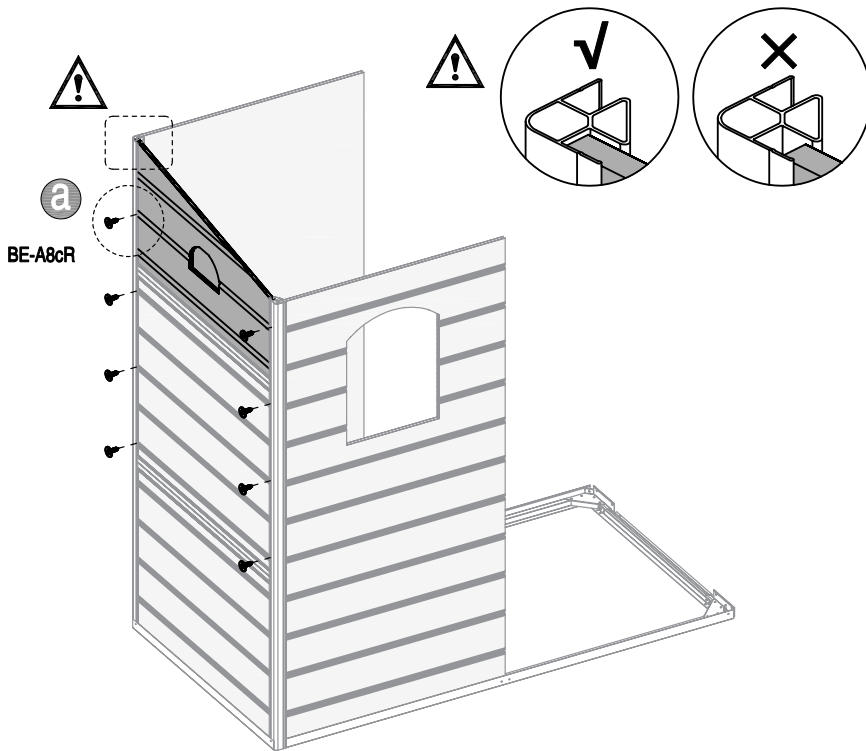
10	 BE-A8b x1	 CN-A33	
----	---	---	--



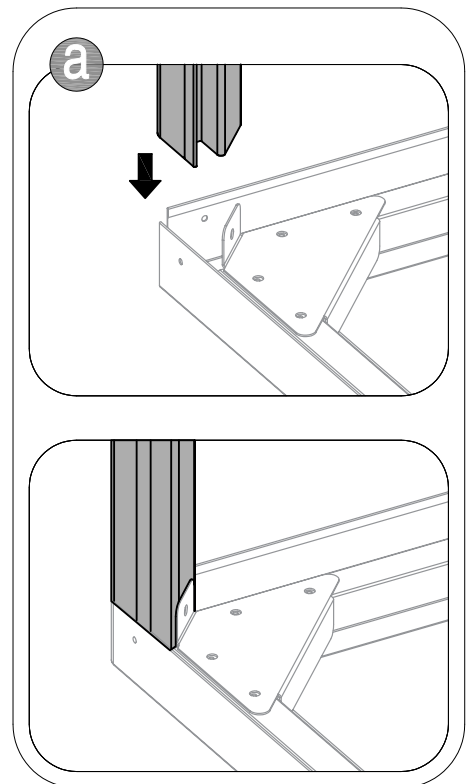
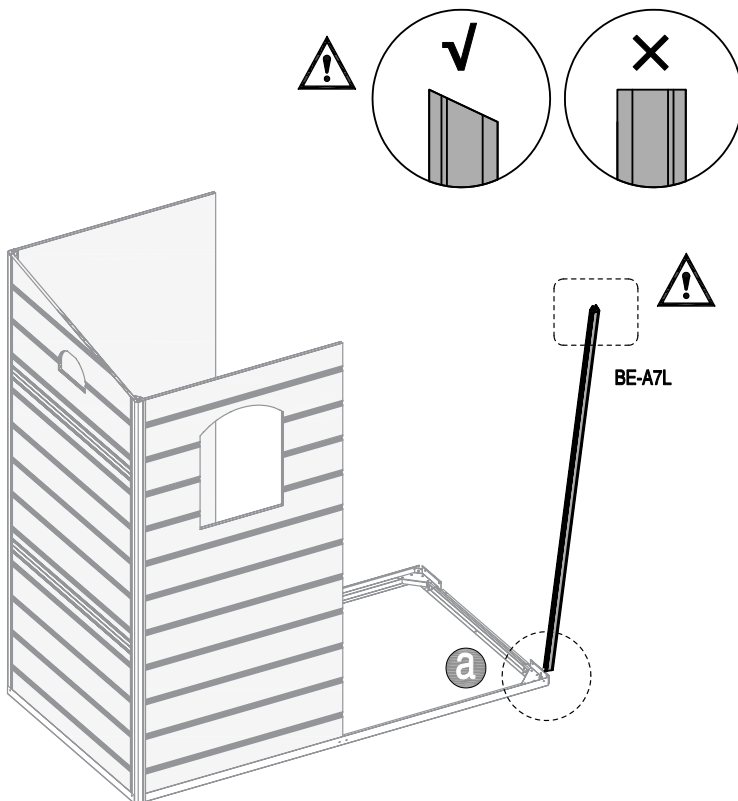
11	 BE-A11 x1	 BE-A15 x1	 CN-A33	
----	---	---	---	--



12	 BE-A8cR x1	 CA-A45 x8	 CN-A33
-----------	---	--	--



13	 BE-A7L x1
-----------	--



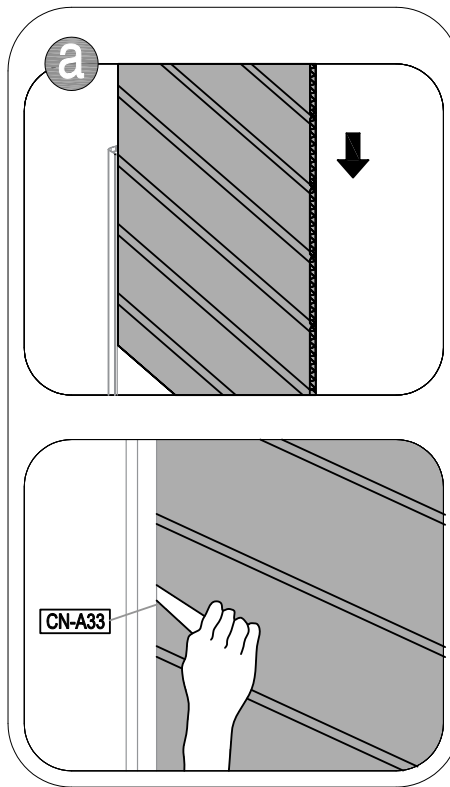
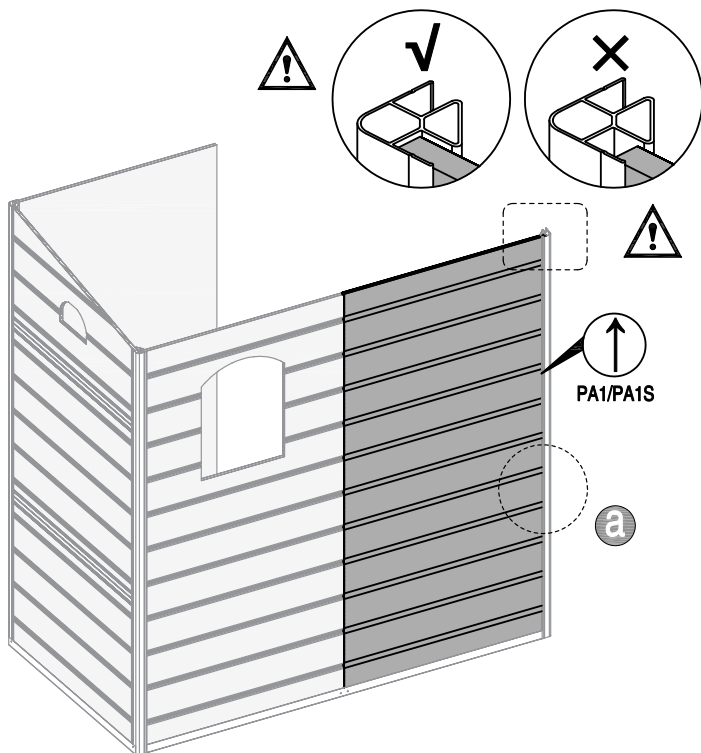
14



PA1/PA1S
x1



CN-A33



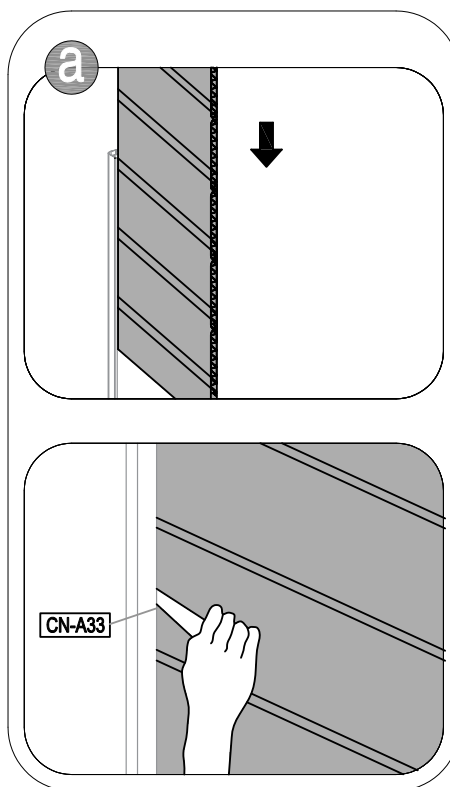
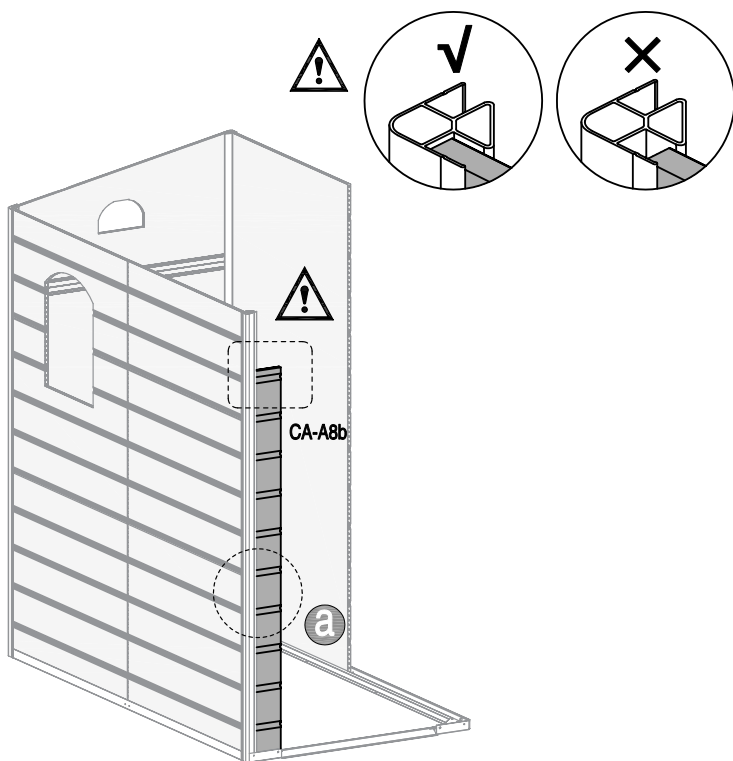
15



CA-A8b
x1



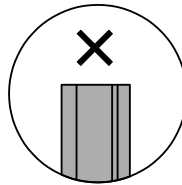
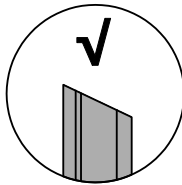
CN-A33



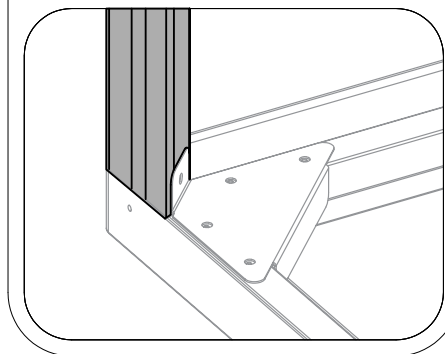
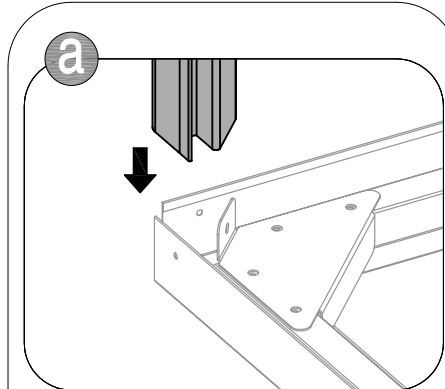
16



BE-A6L
x1

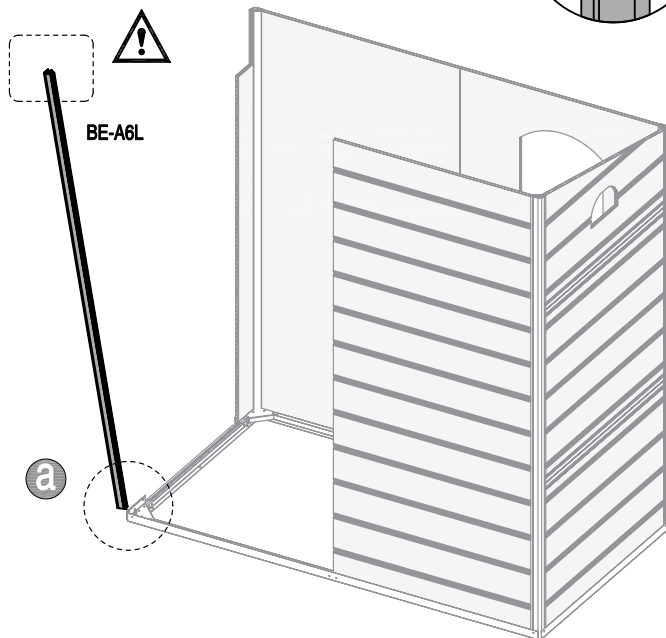


a



BE-A6L

a



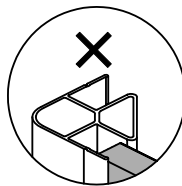
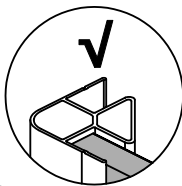
17



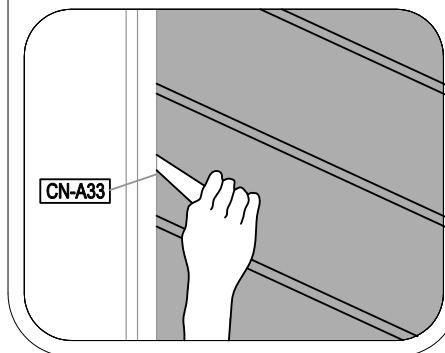
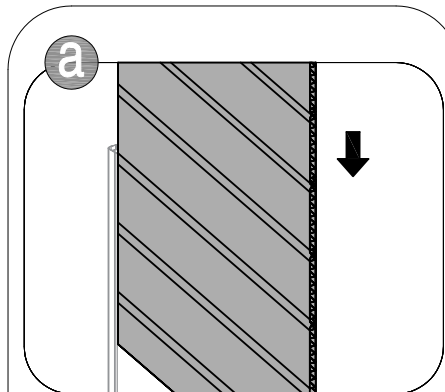
CA-A9
x1



CN-A33

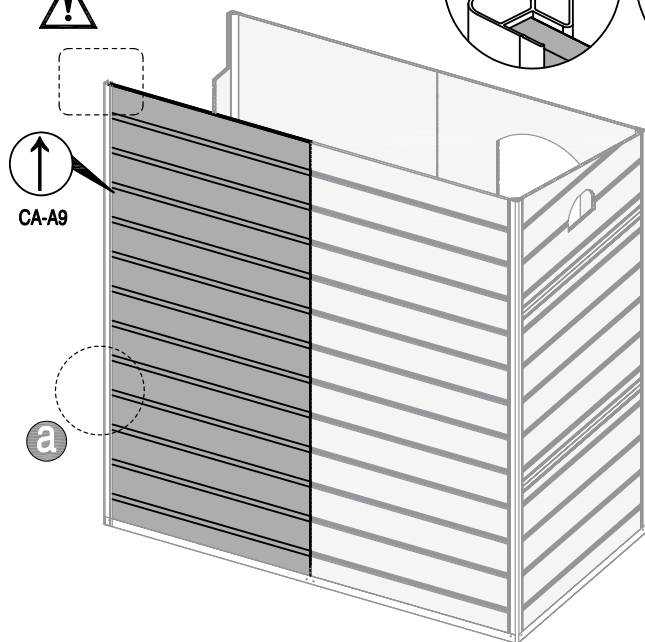


a



CA-A9

a



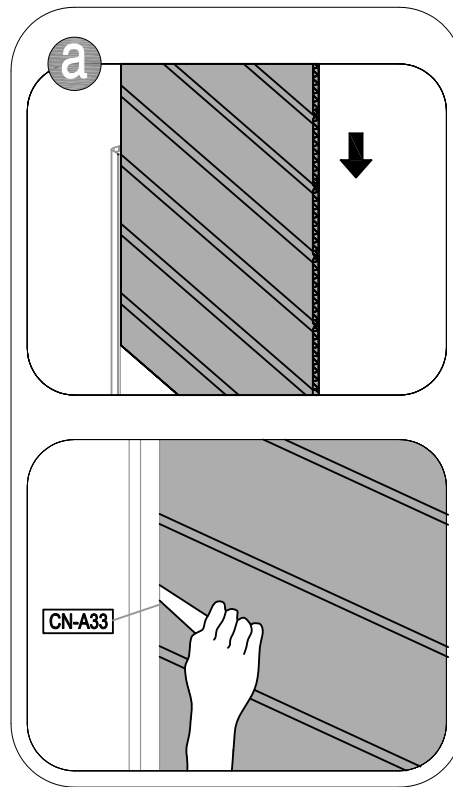
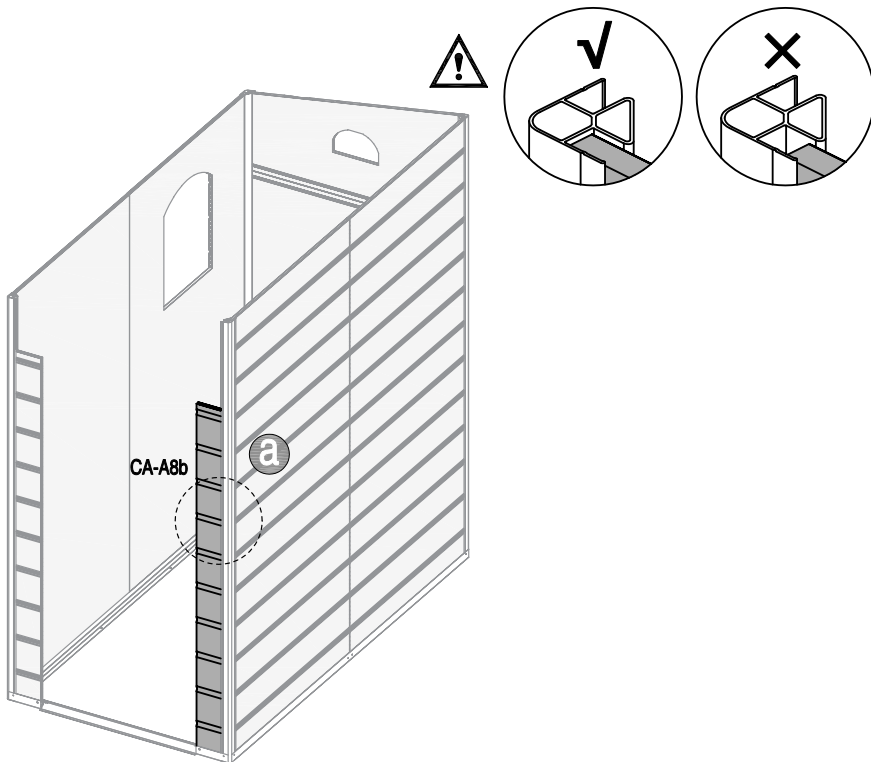
18



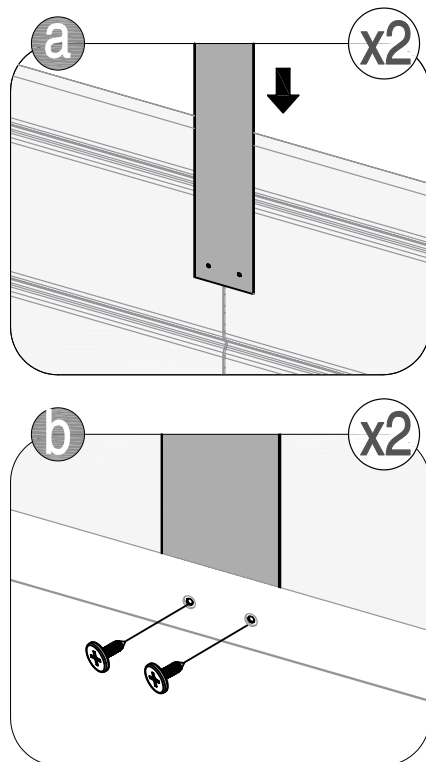
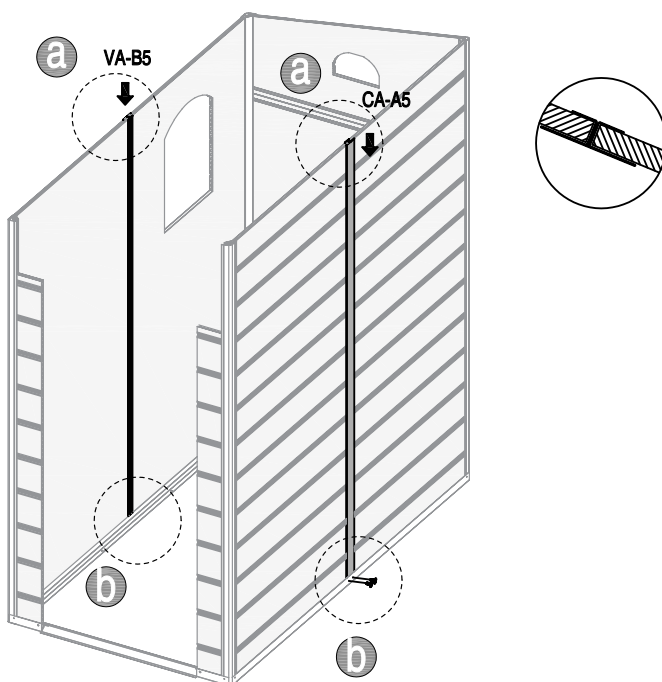
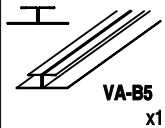
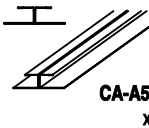
CA-A8b
x1



CN-A33



19



20



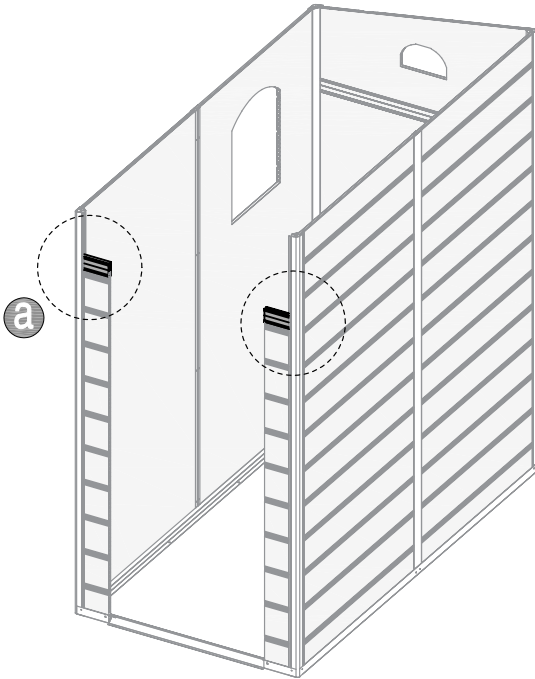
CA-A12
x2



CA-A13
x2

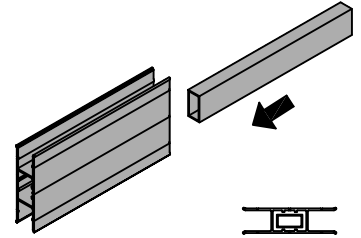


CN-A33

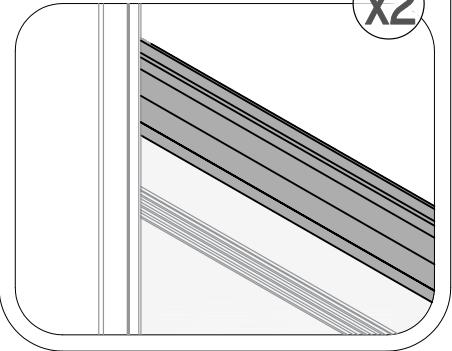


a

x2



x2



21



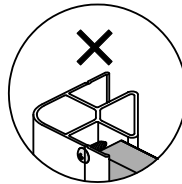
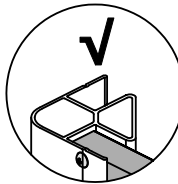
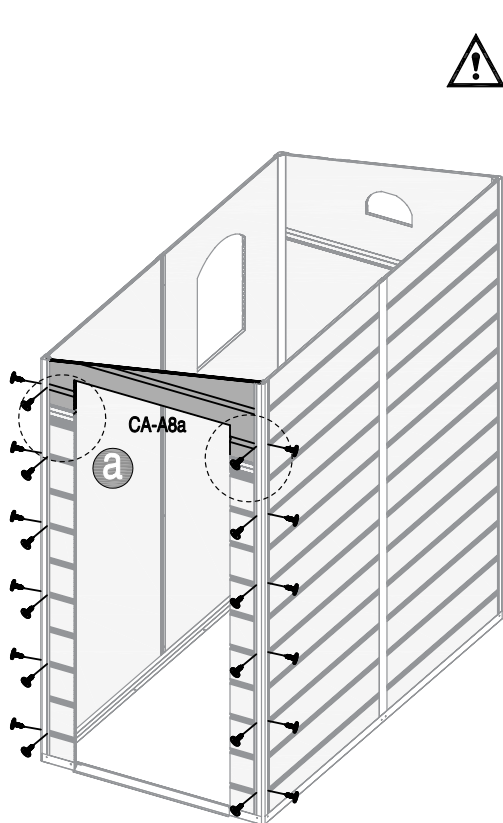
CA-A8a
x1



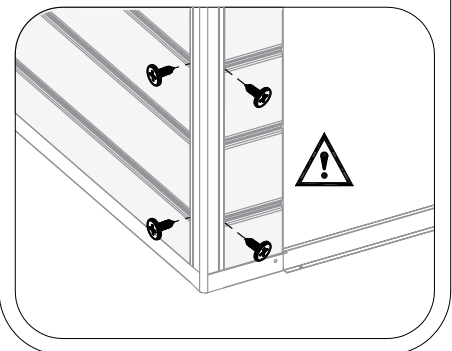
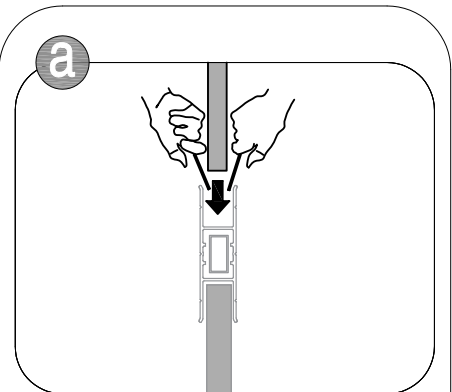
CA-A45
x24



CN-A33



a



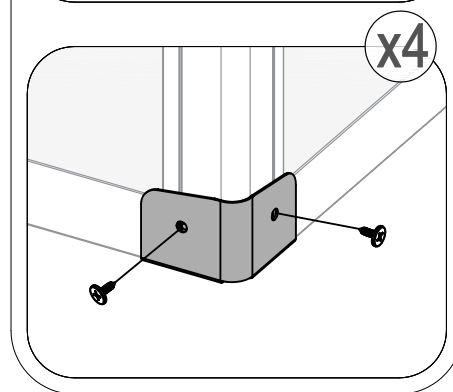
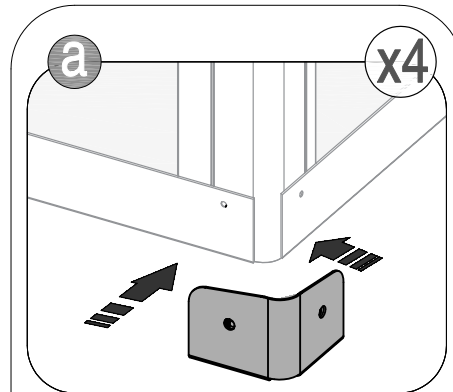
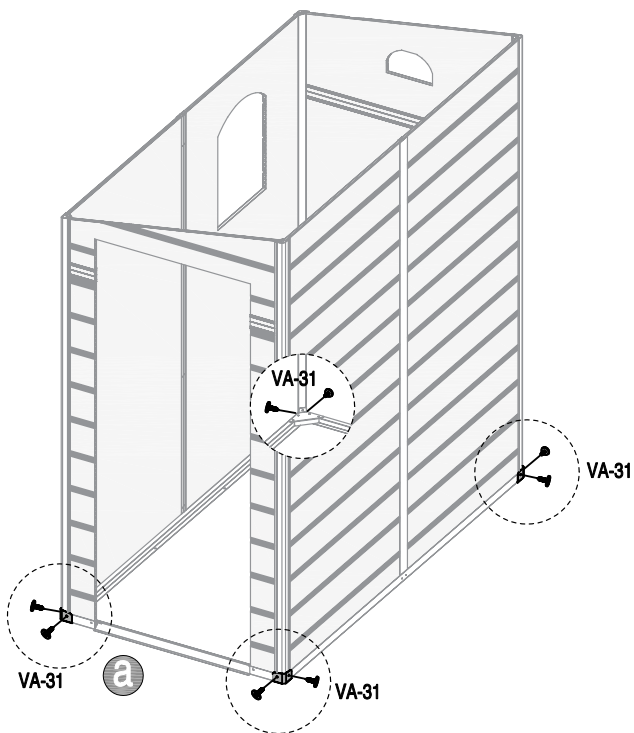
22



VA-31
x4



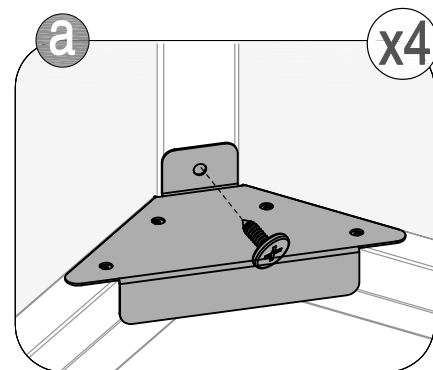
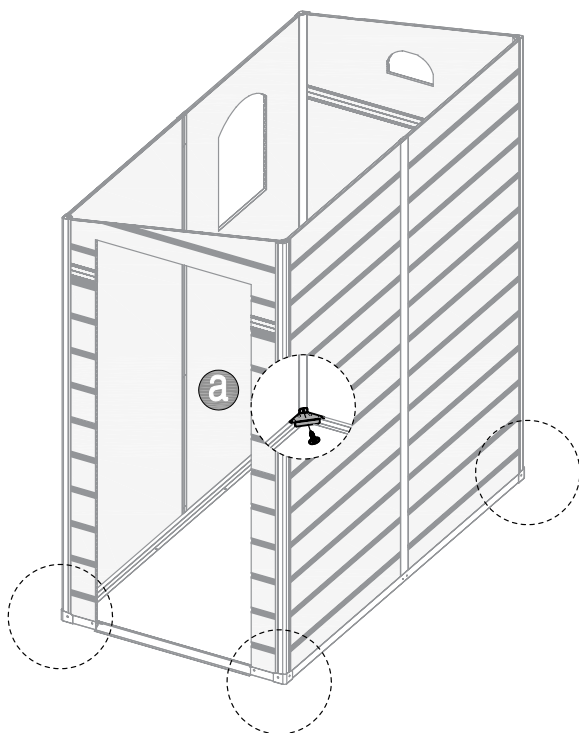
CA-A44
x8



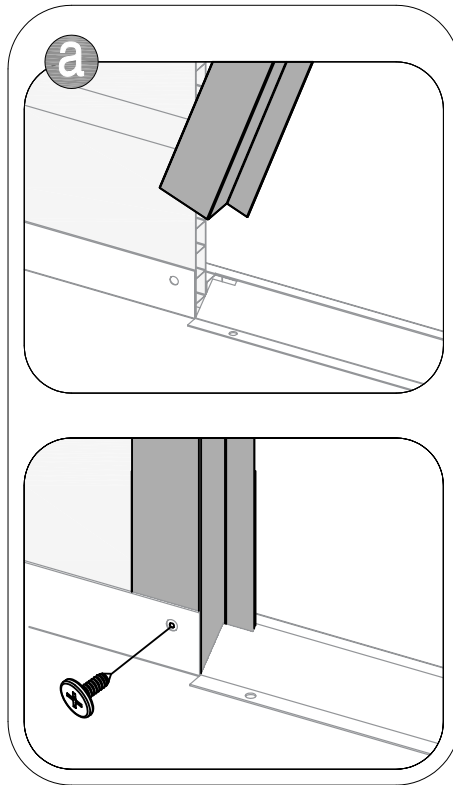
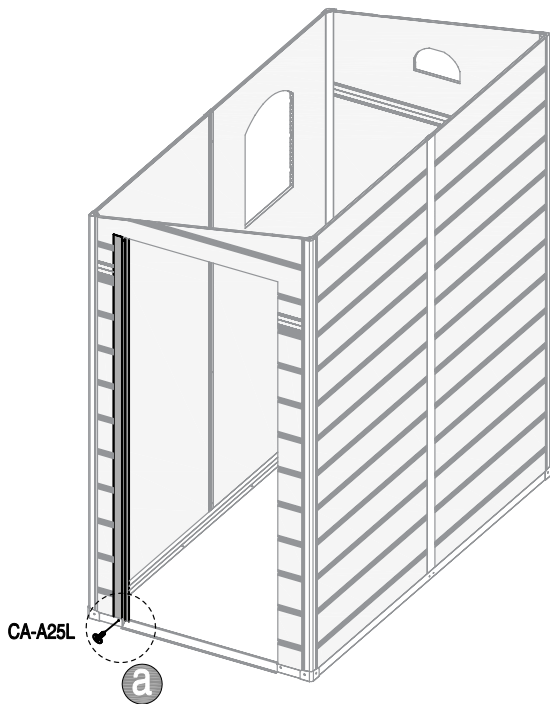
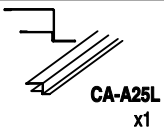
23



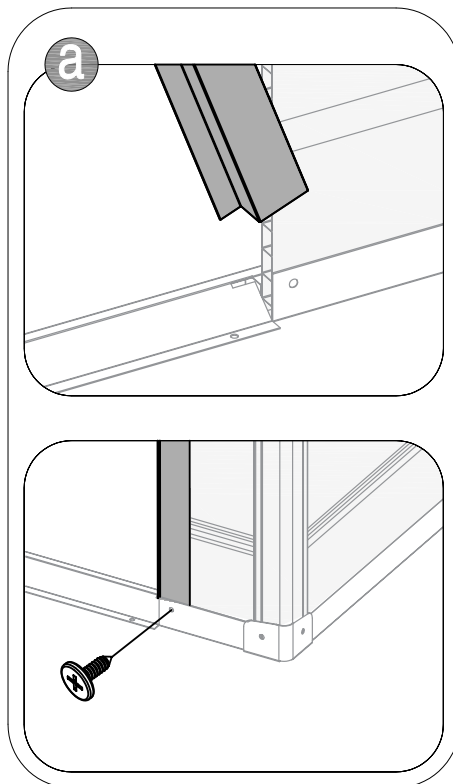
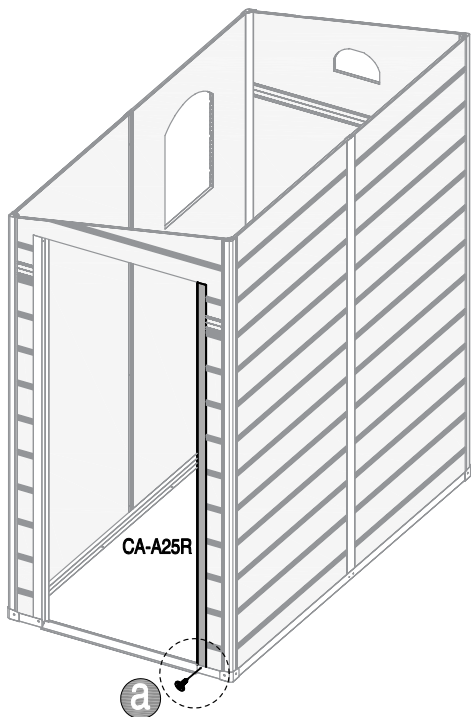
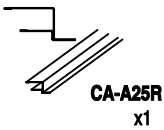
CA-A44
x4



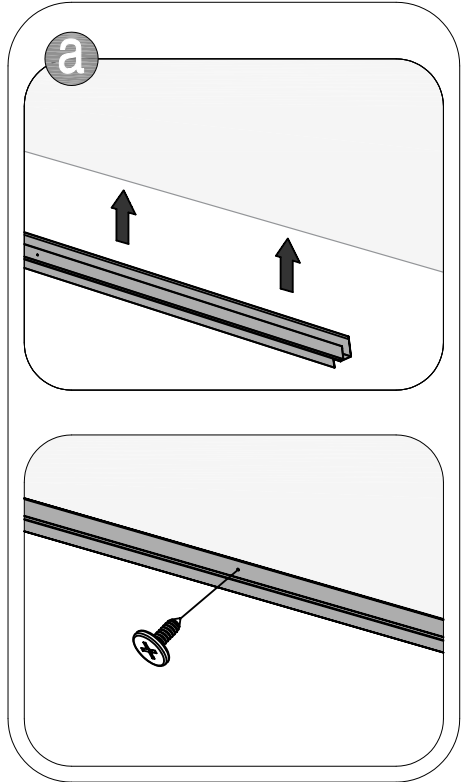
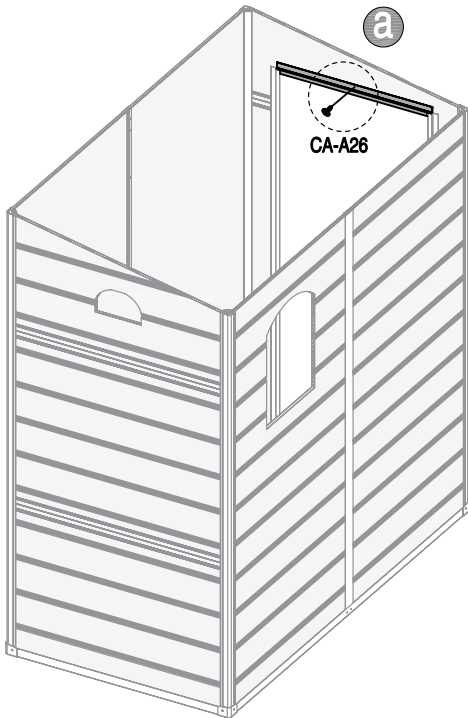
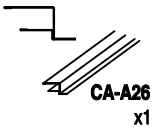
24



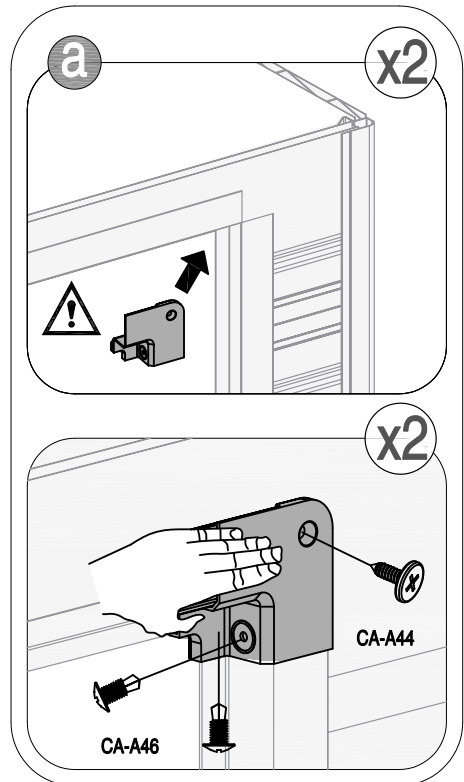
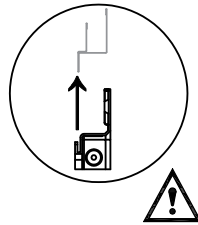
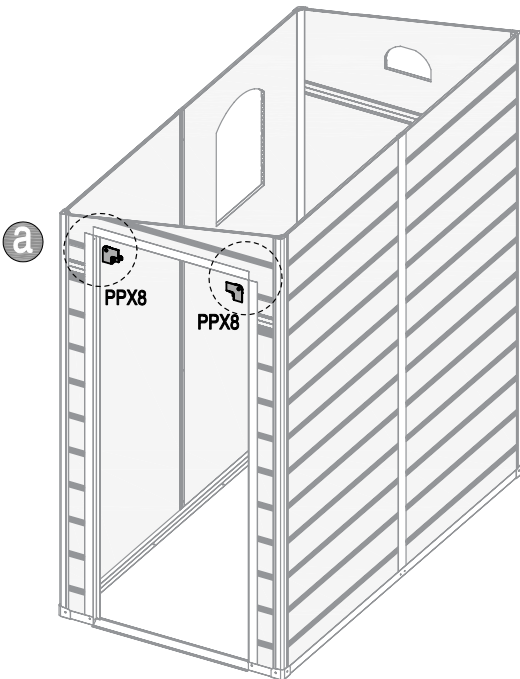
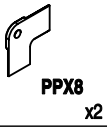
25



26



27



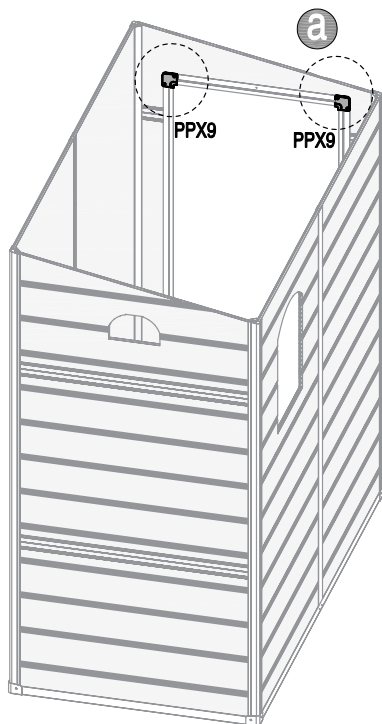
28



PPX9
x2

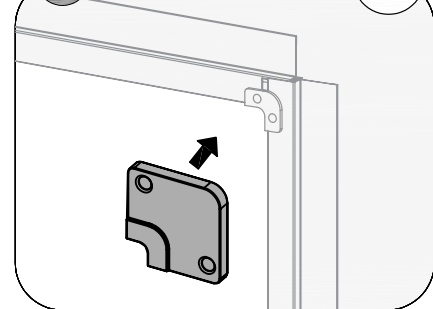


CA-A47
x4

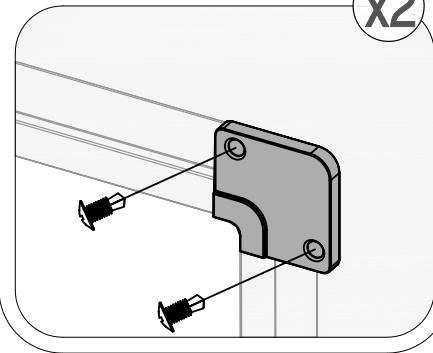


a

x2



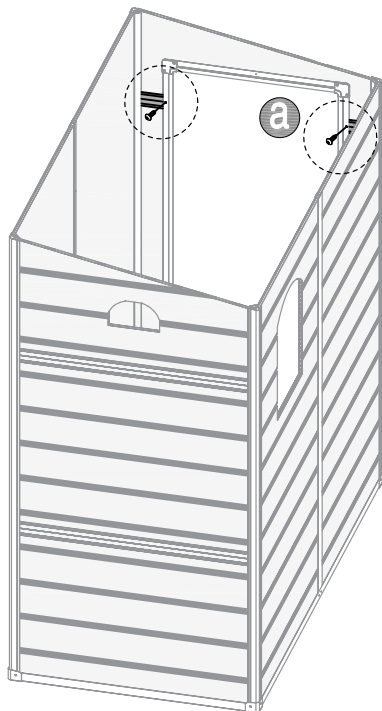
x2



29

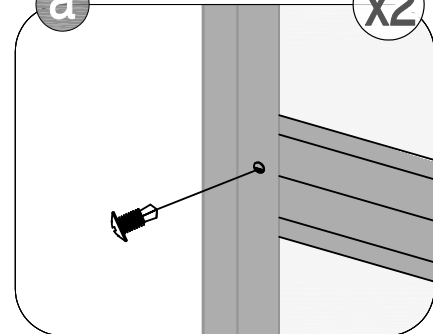


CA-A46
x2



a

x2



30



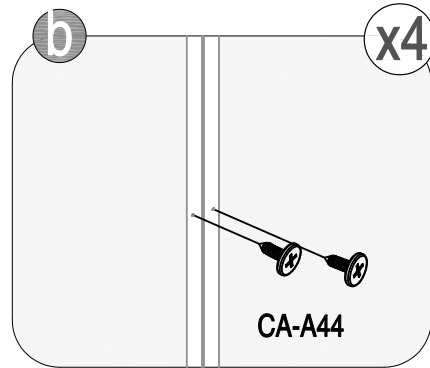
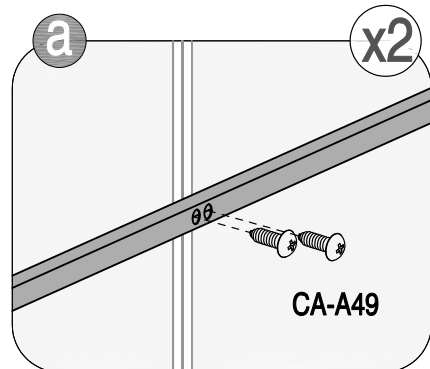
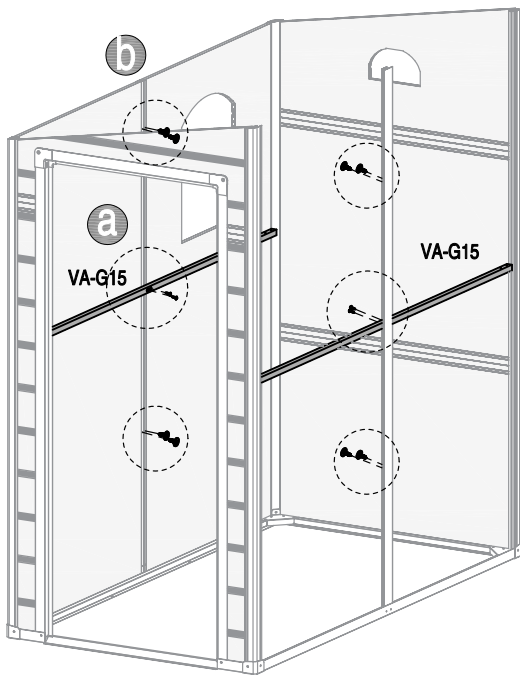
VA-G15
x2



CA-A49
x4



CA-A44
x8



31



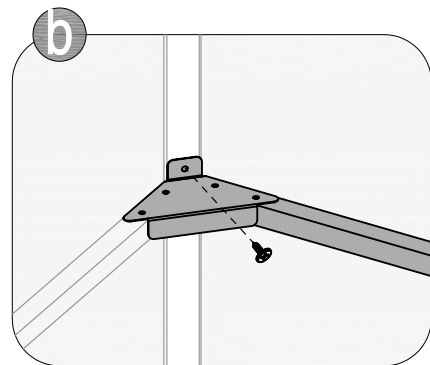
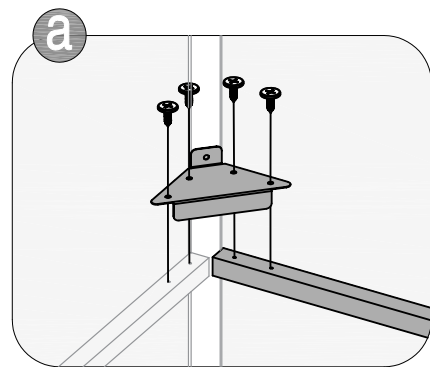
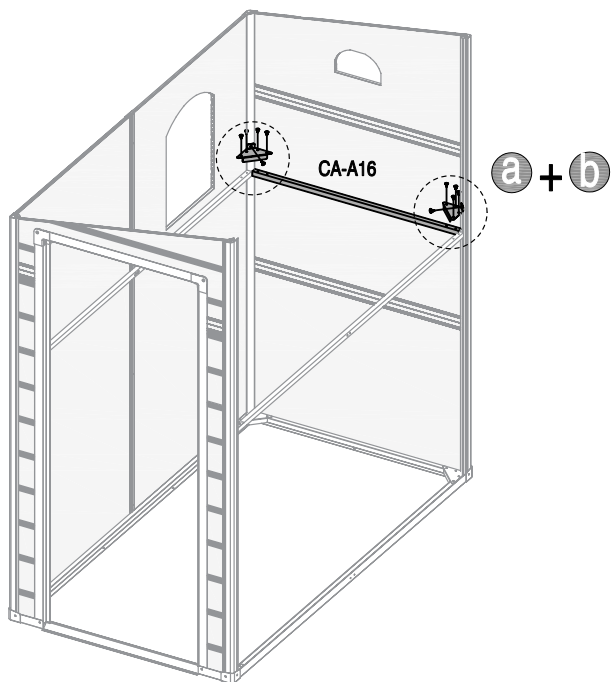
CA-A16
x1



VA-30
x2



CA-A44
x10



32



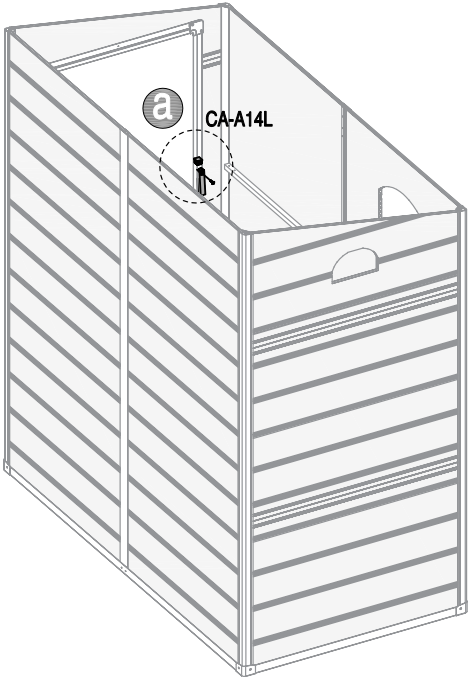
CA-A14L
x1



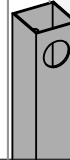
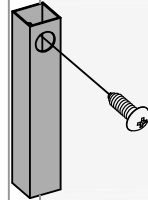
VA-43
x1



CA-A49
x1



a



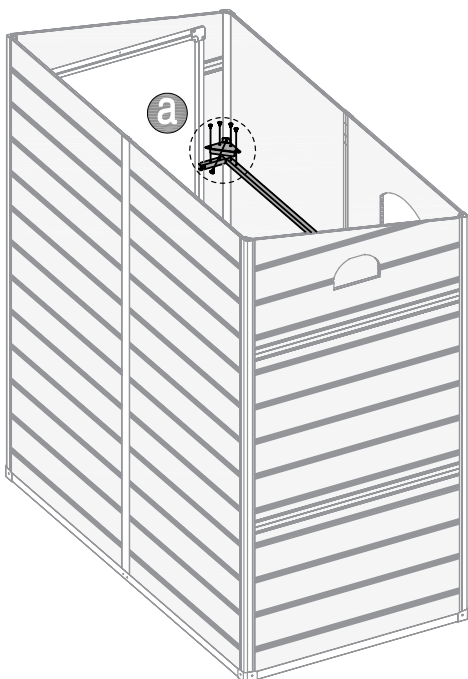
33



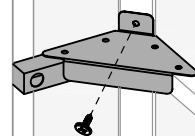
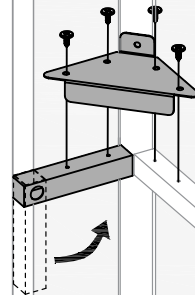
VA-30
x1



CA-A44
x5



a



34



CA-A14R
x1

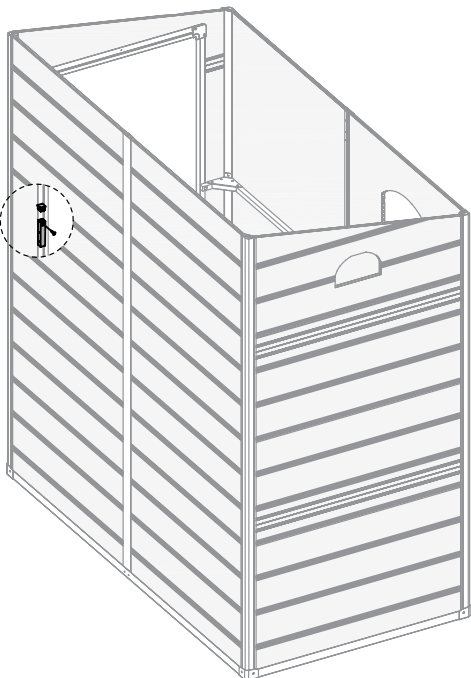


VA-43
x1

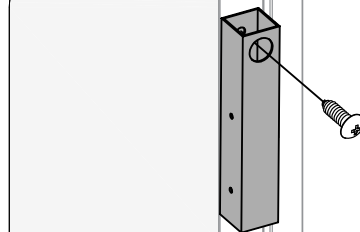


CA-A49
x1

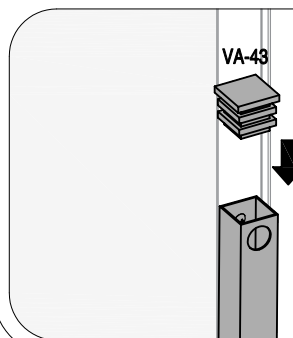
a
CA-A14R



a



a



35

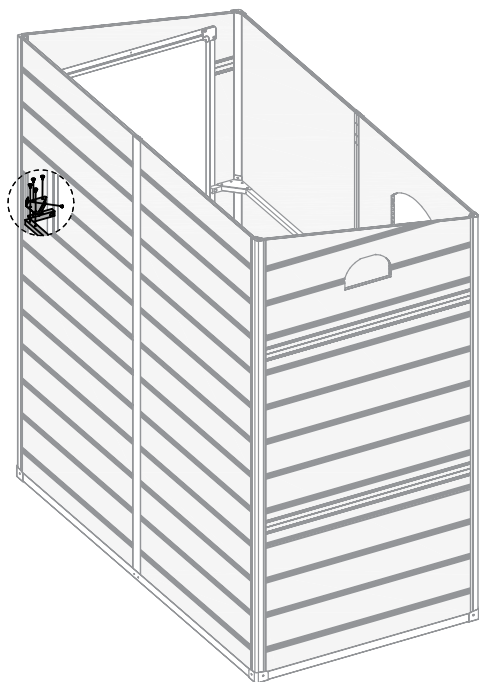


VA-30
x1

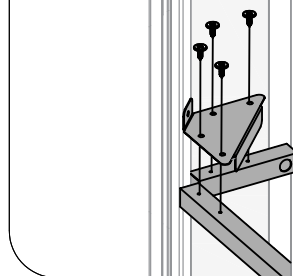


CA-A44
x5

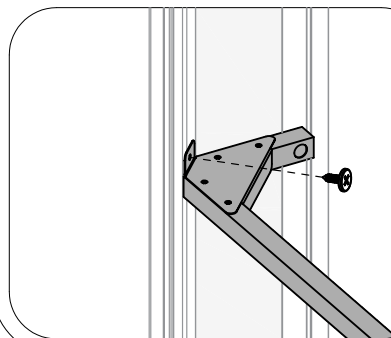
a



a



a



36



BE-A19
x3



BE-A10
x2



BE-A14
x2



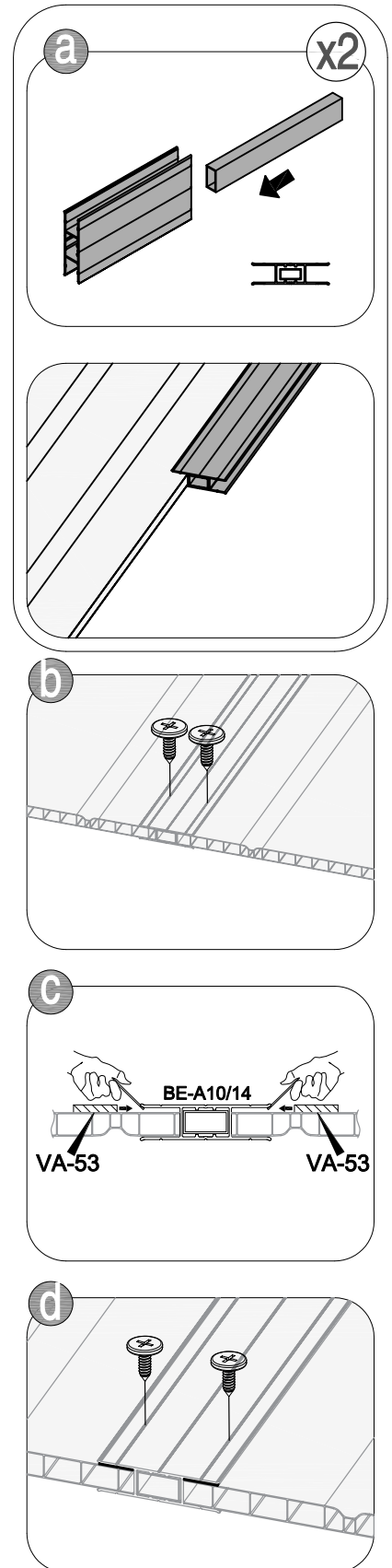
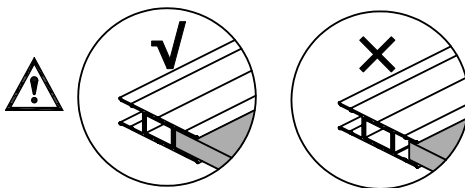
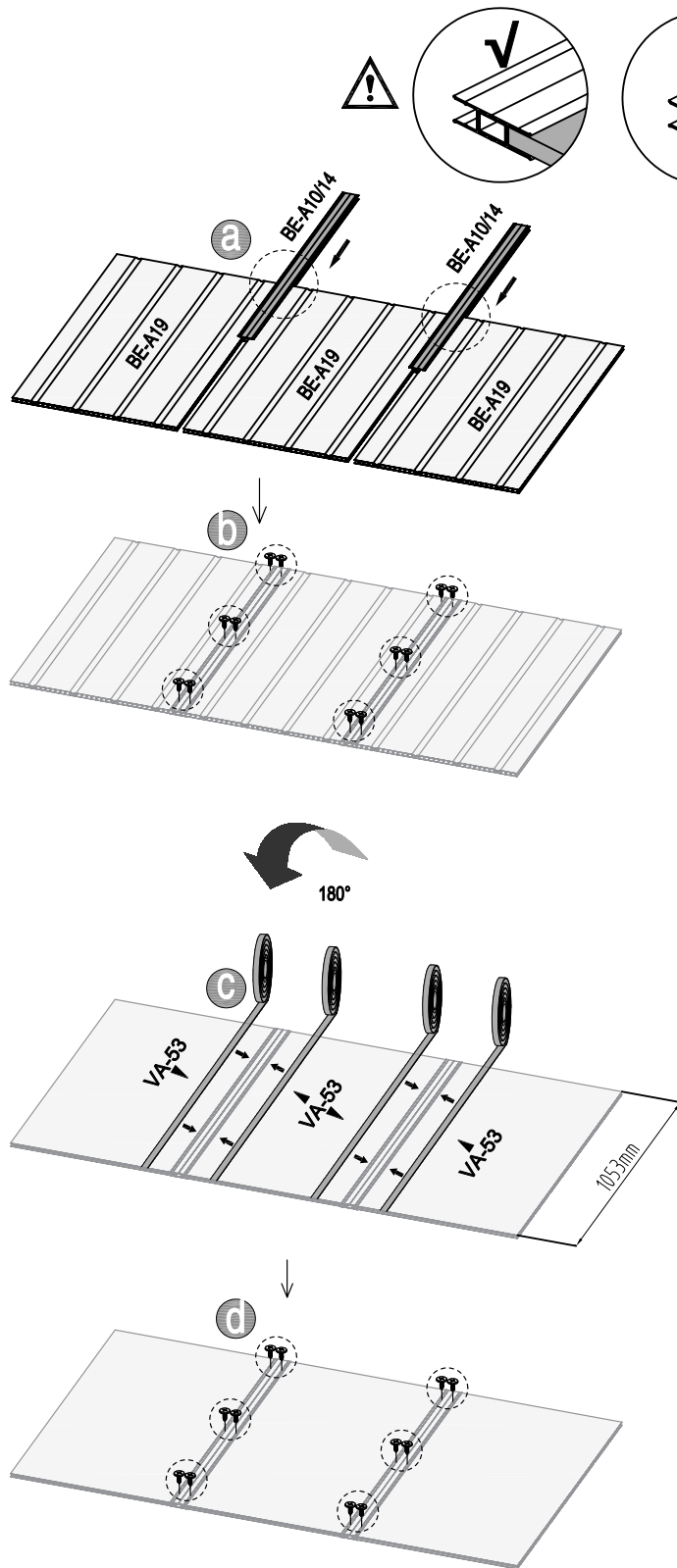
VA-53
x1



CA-A44
x24



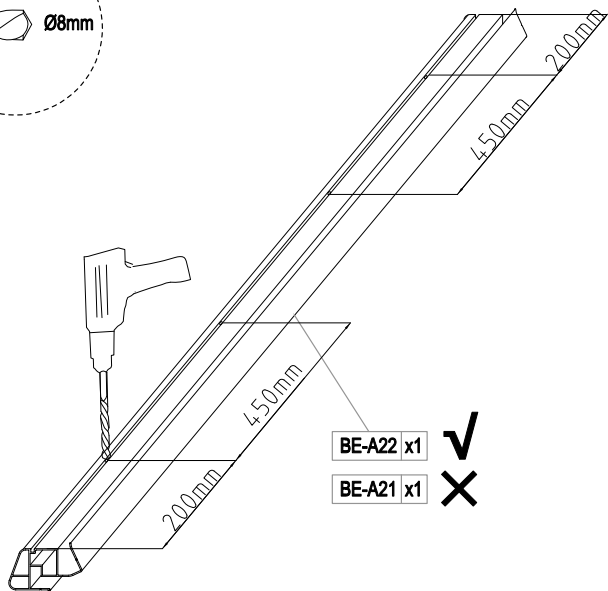
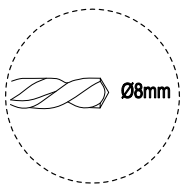
CN-A33



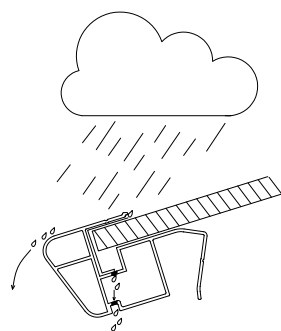
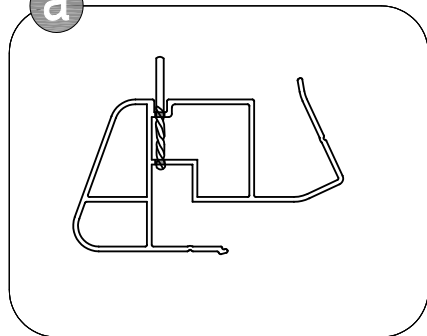
37



BE-A22
x1



a



38



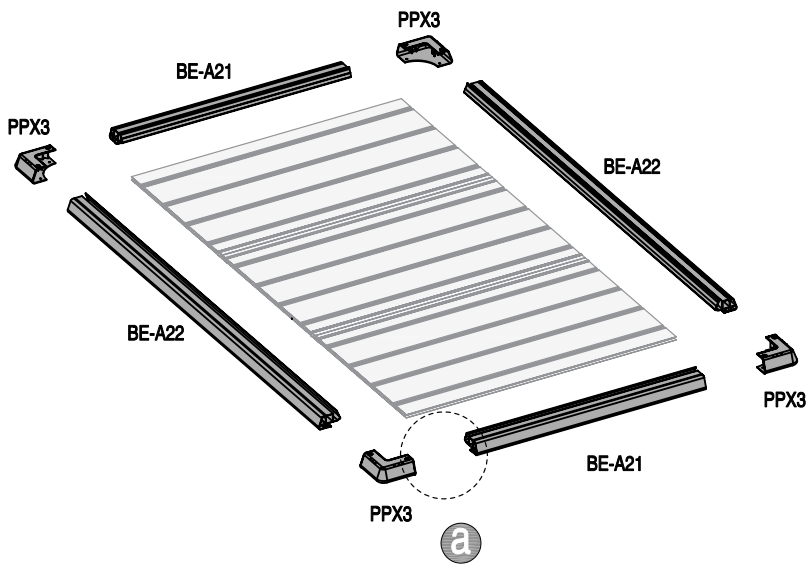
BE-A22
x2



BE-A21
x2

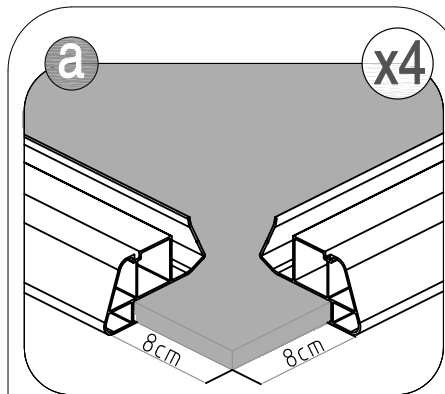


PPX3
x4

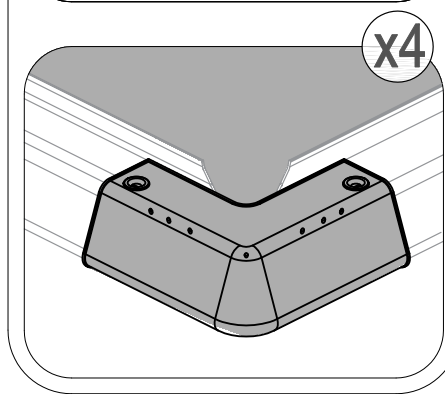


a

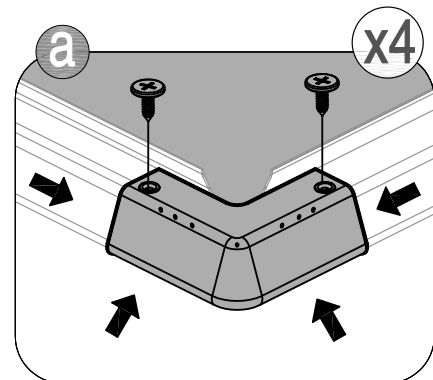
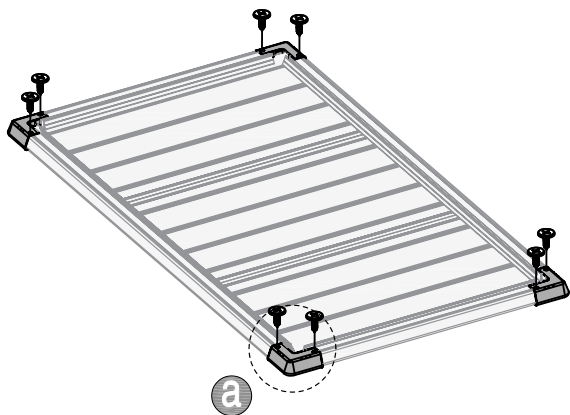
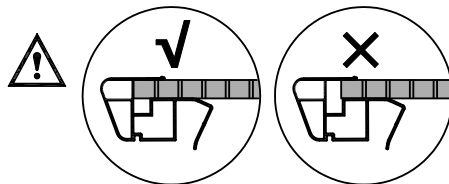
x4



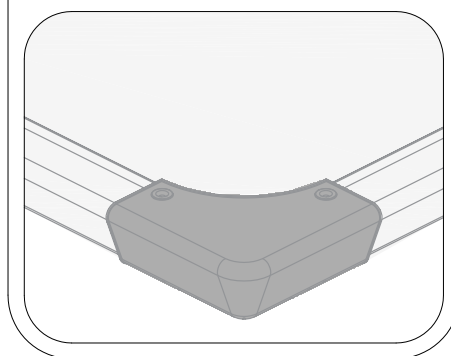
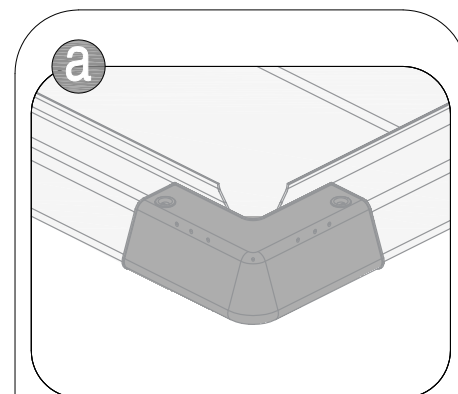
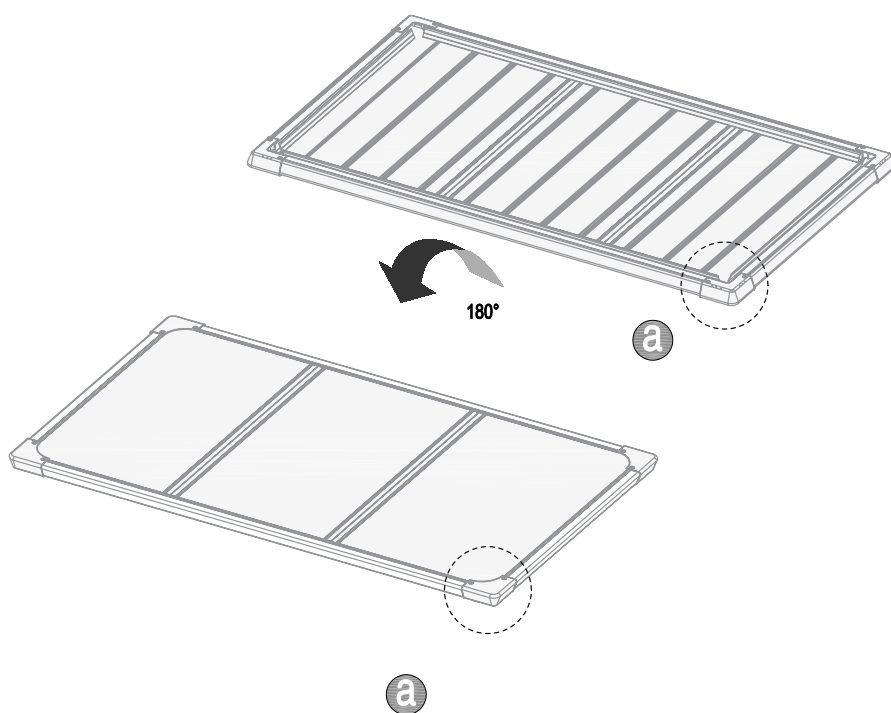
x4



39



40



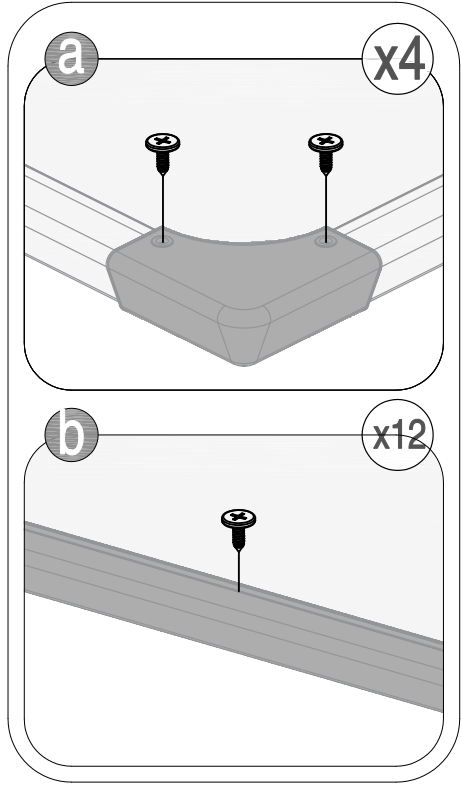
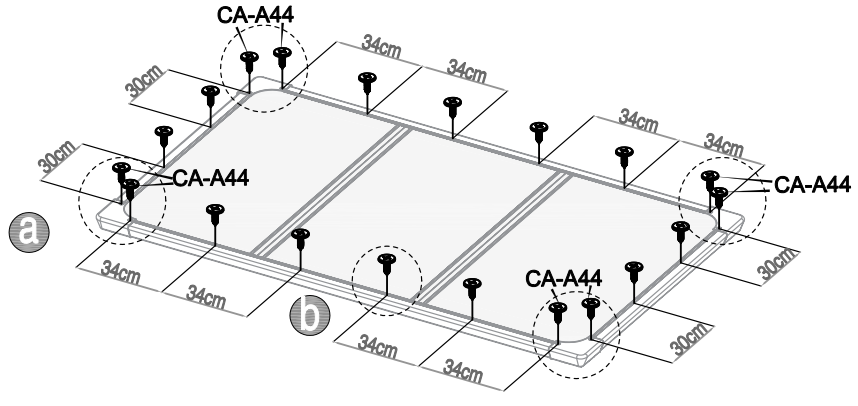
41



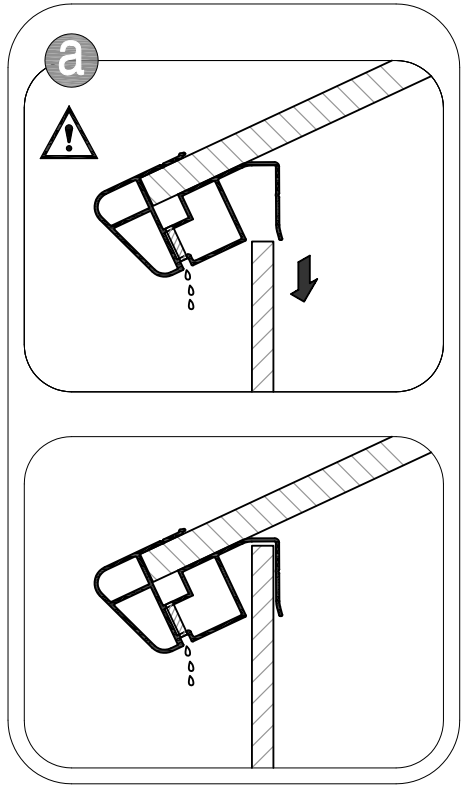
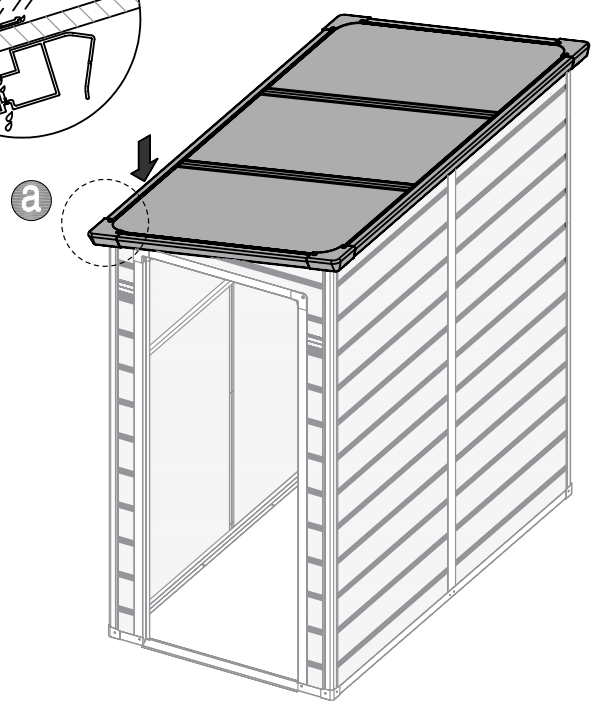
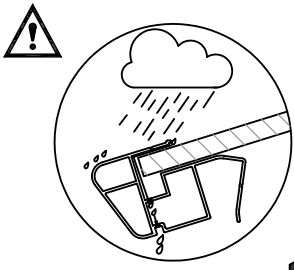
CA-A45
x12



CA-A44
x8



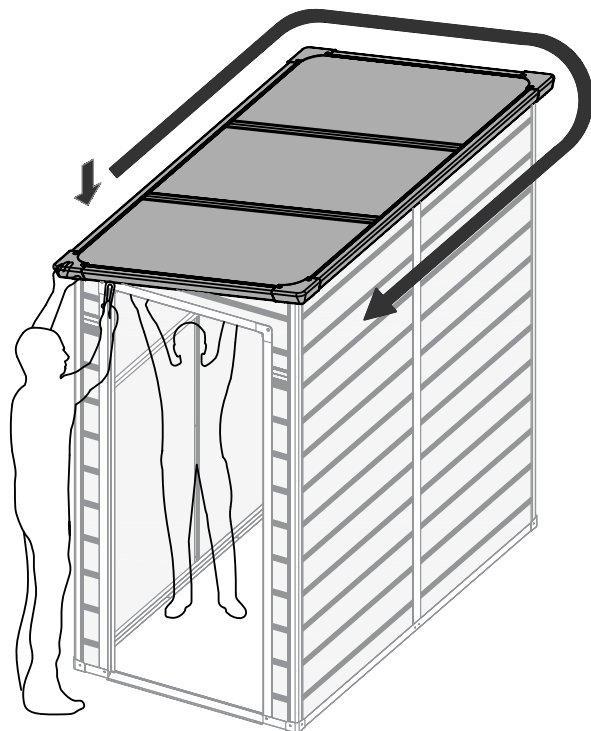
42



43



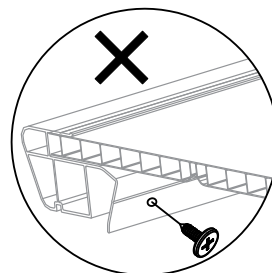
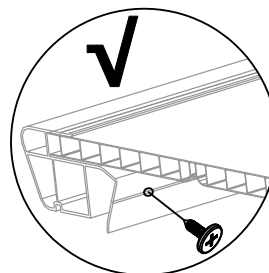
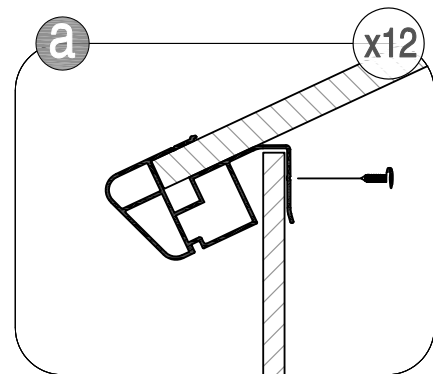
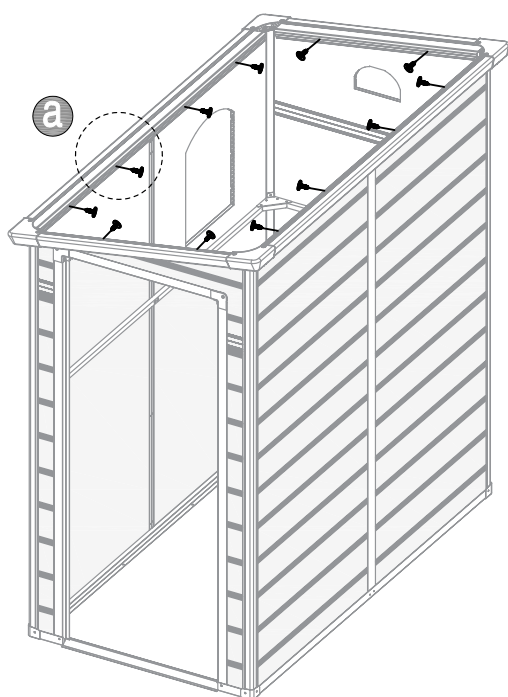
CN-A33



44



CA-A45
x12



45



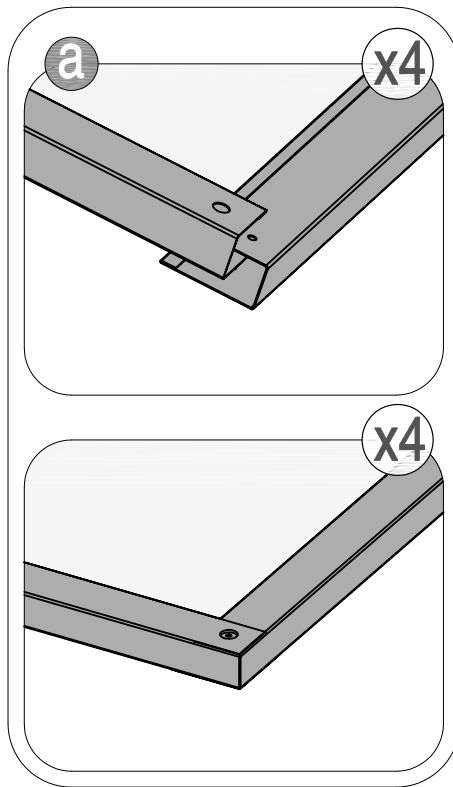
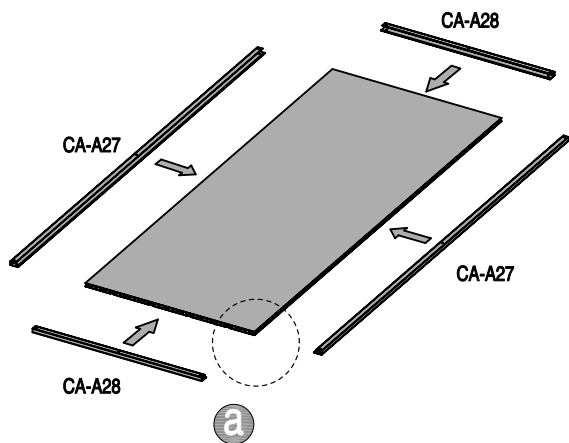
CA-A28
x2



CA-A27
x2



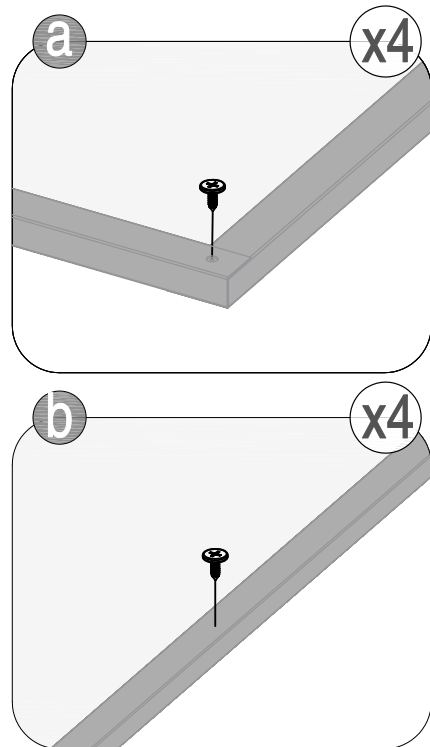
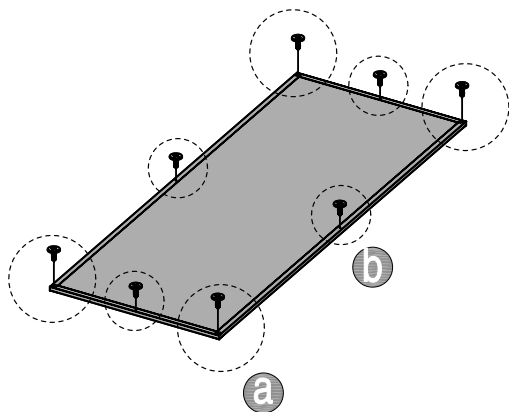
CA-A30
x1



46



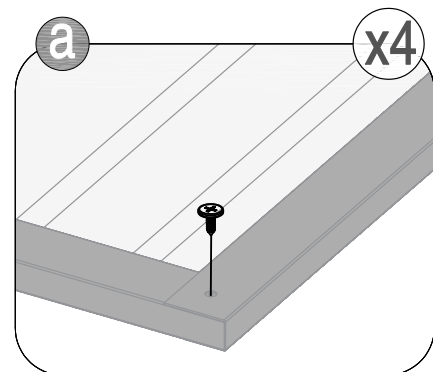
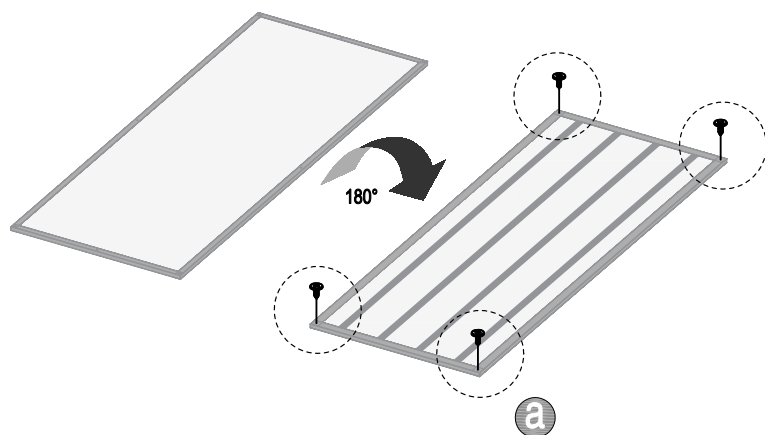
CA-A44
x8



47



CA-A44
x4



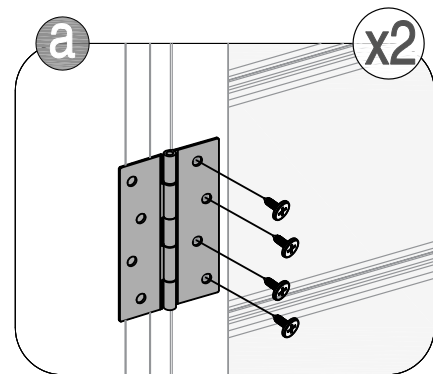
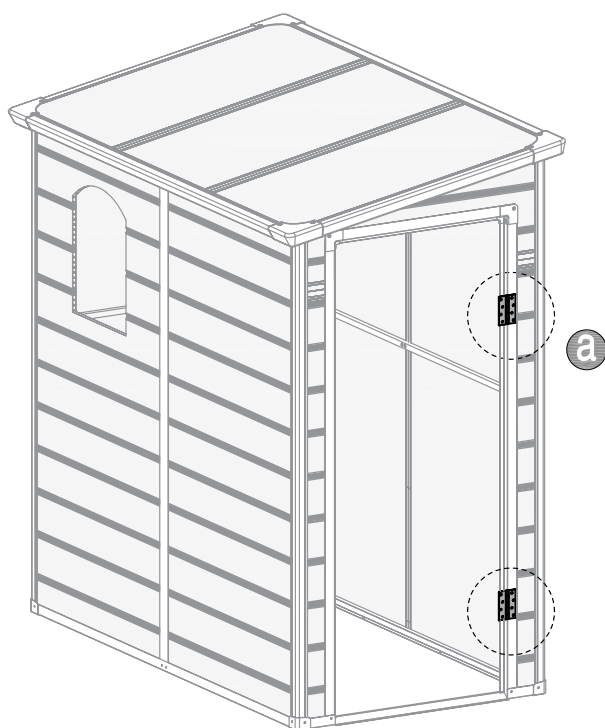
48



VA-41
x2



CA-A44
x8



49



VA-40
x1



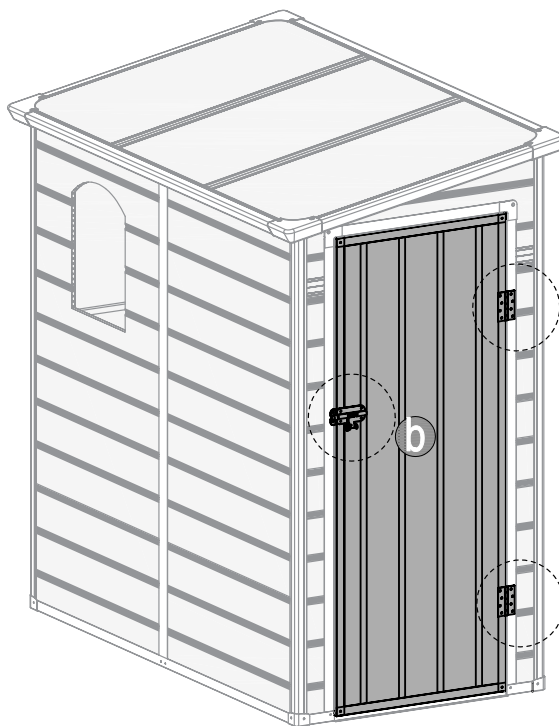
CA-A44
x12



CA-A45
x3



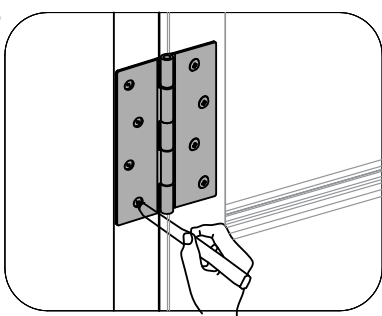
PA01
x3



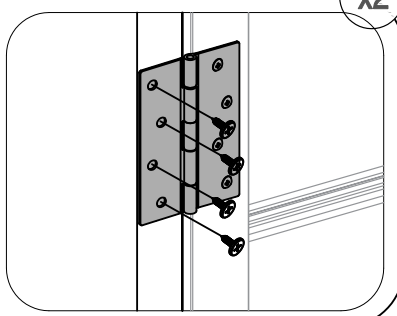
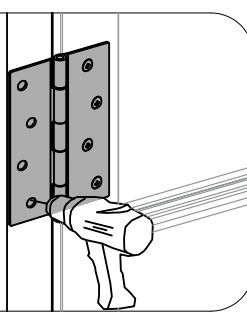
a

b

a

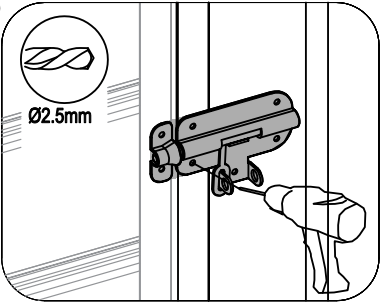


Ø2.5mm

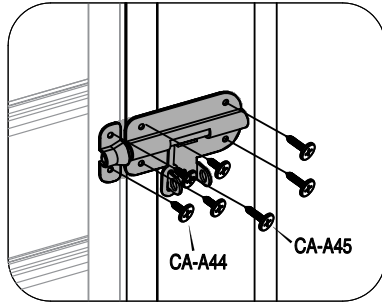


x2

b

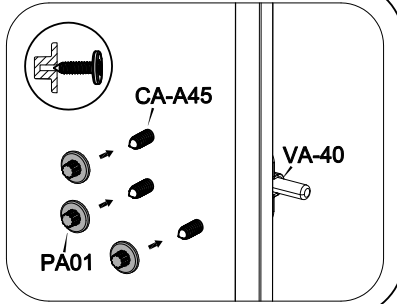


Ø2.5mm



CA-A44

CA-A45



PA01

CA-A45

VA-40

50



PPx12
x1



W2S
x1



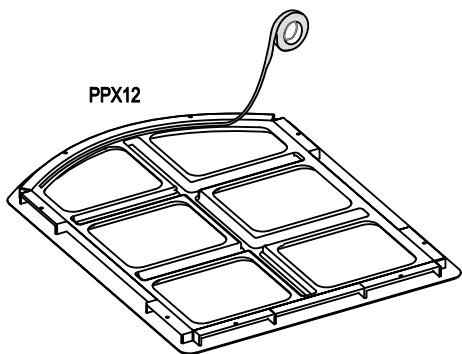
PPx13
x1



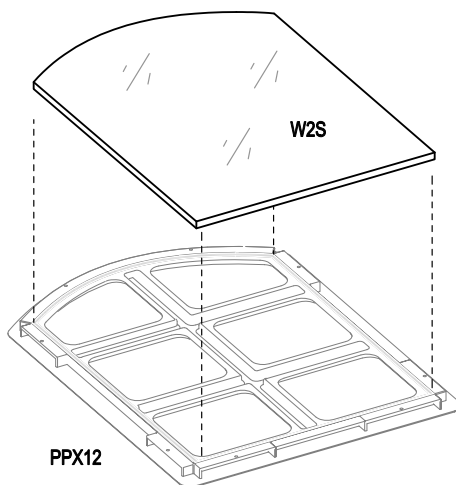
VA-51
x1



CA-A44
x10

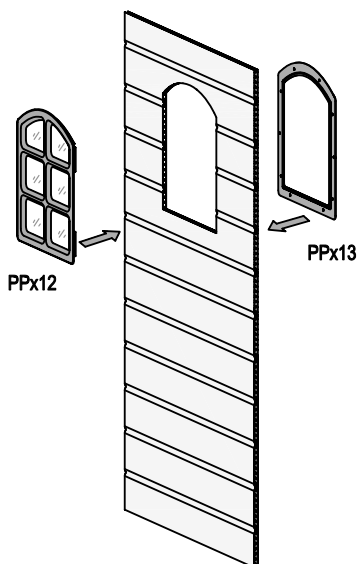


PPx12



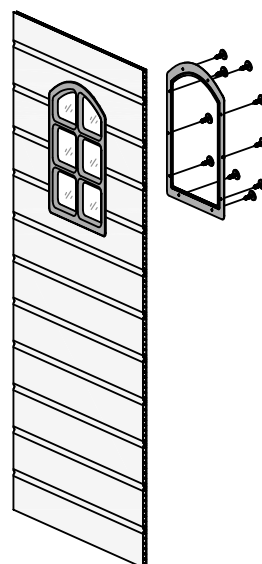
W2S

PPx12



PPx12

PPx13



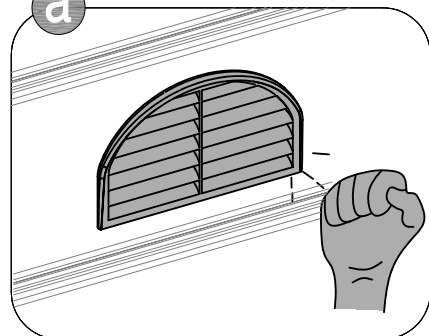
51



PPX14
x1



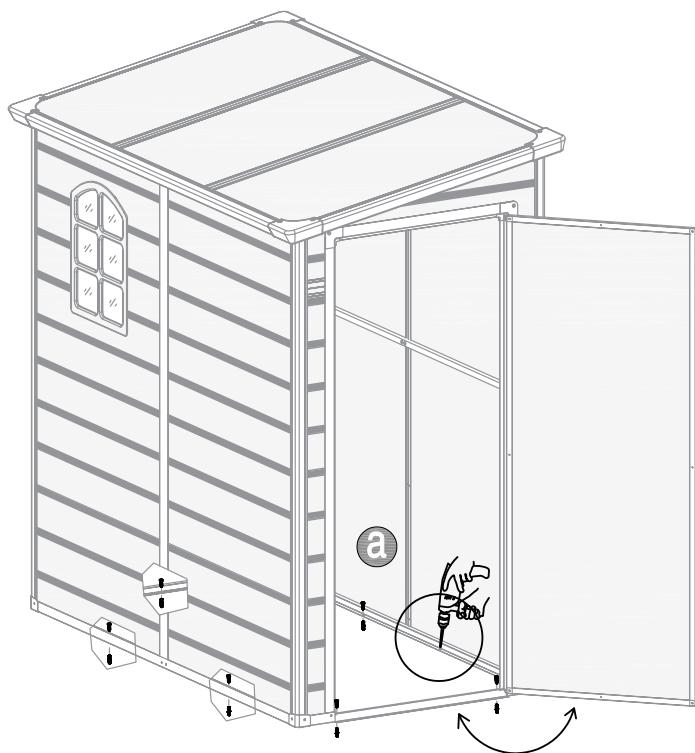
a



52



CA-A48
x7



a

x7

