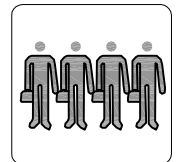
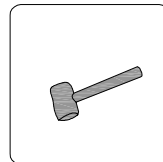
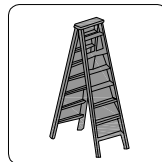
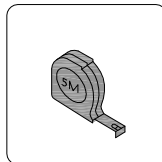
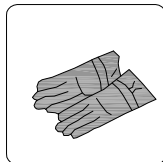
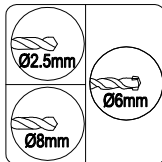
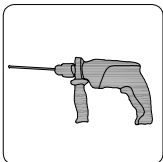
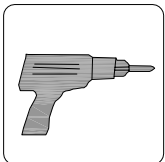
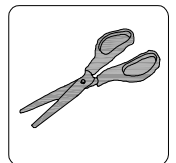
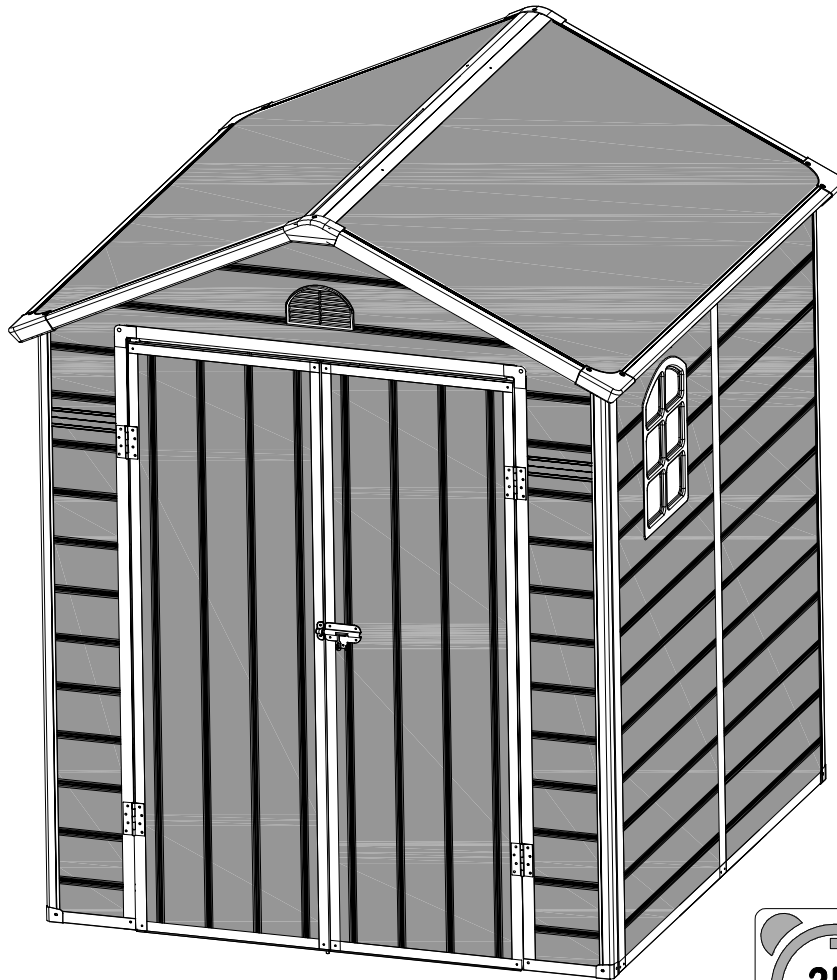




WESTMANN

MONTAGEANLEITUNG

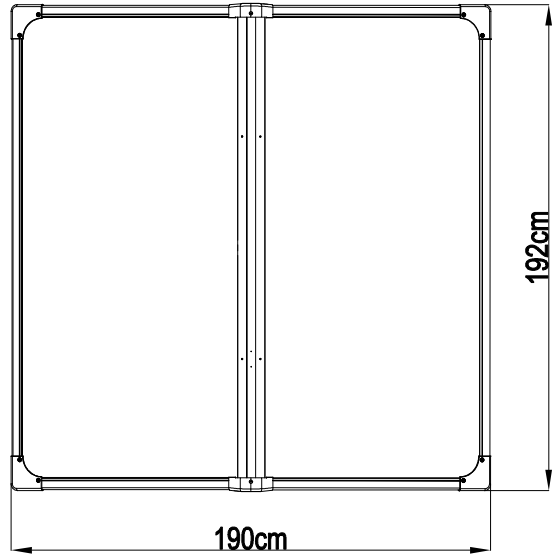
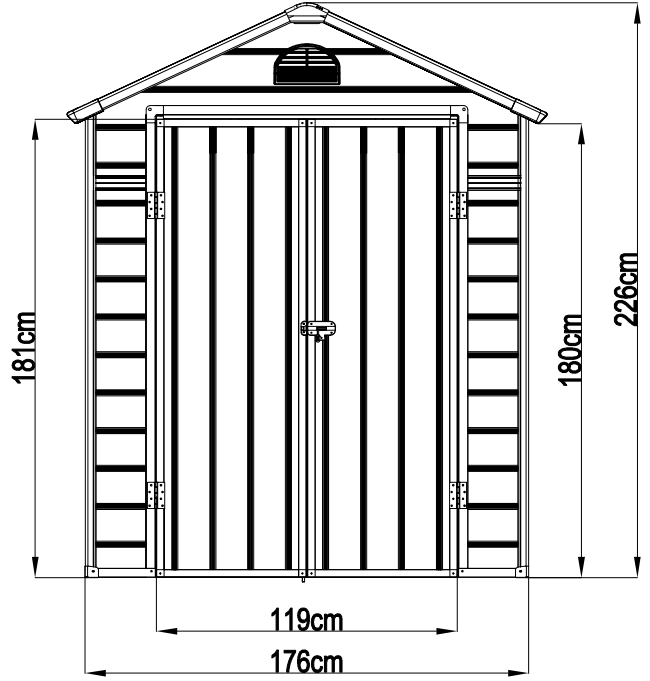
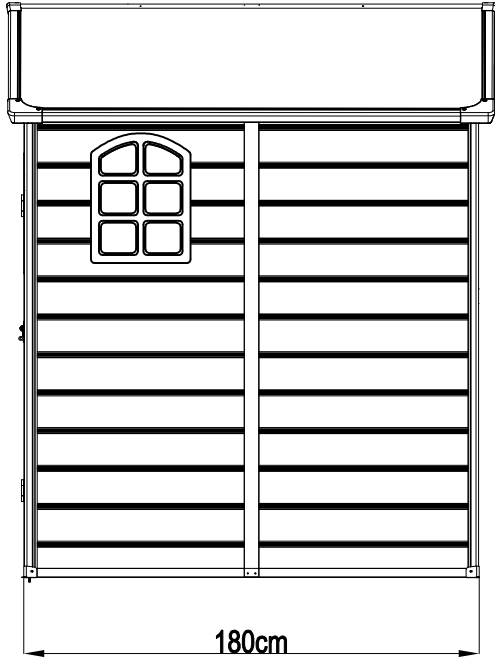
Gerätehaus



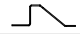




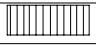
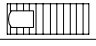





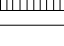

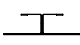
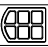


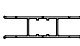

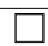
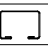
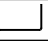


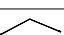











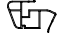
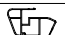
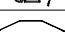



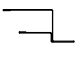
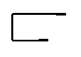


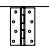
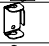
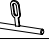





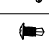
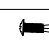

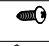



**BEI FRAGEN, KONTAKTIEREN SIE
UNSEREN KUNDENSERVICE:**




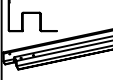

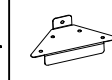
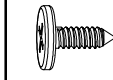
50NRTH GmbH
Straßburgstraße 14-16
D-54516 Wittlich

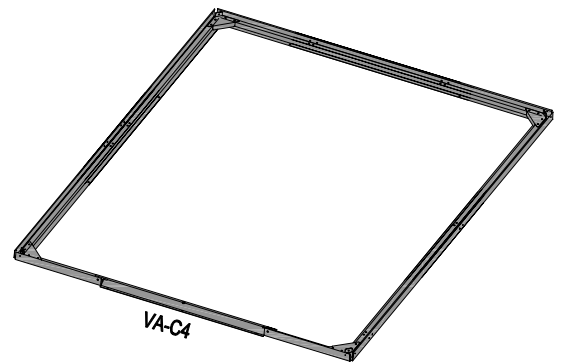
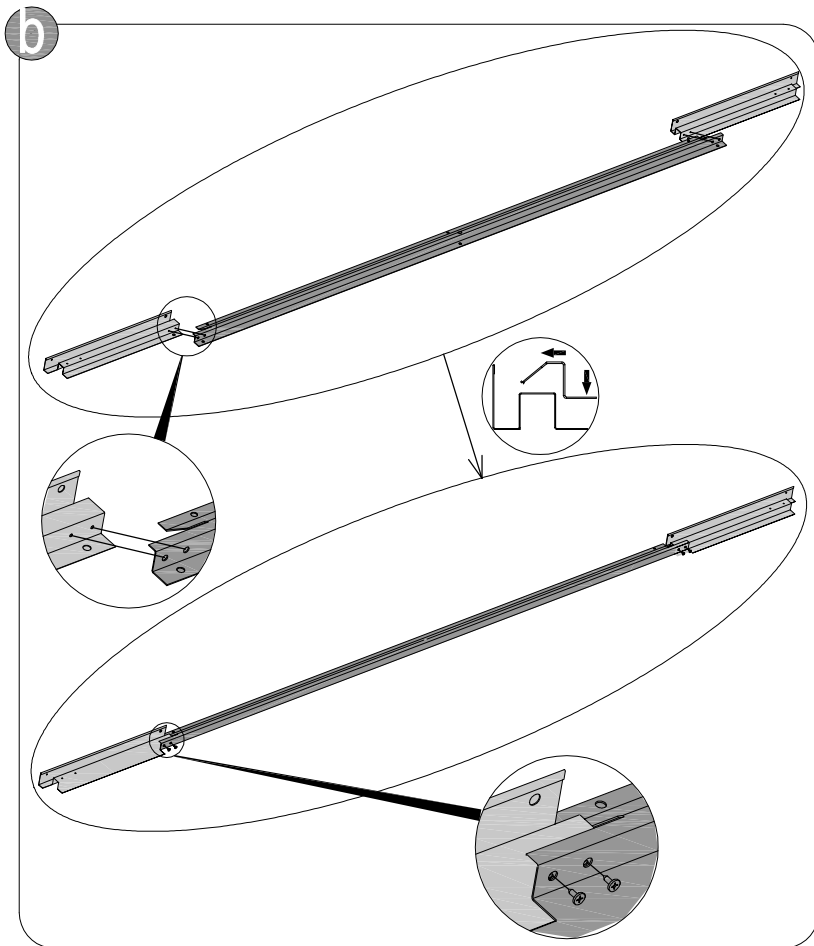
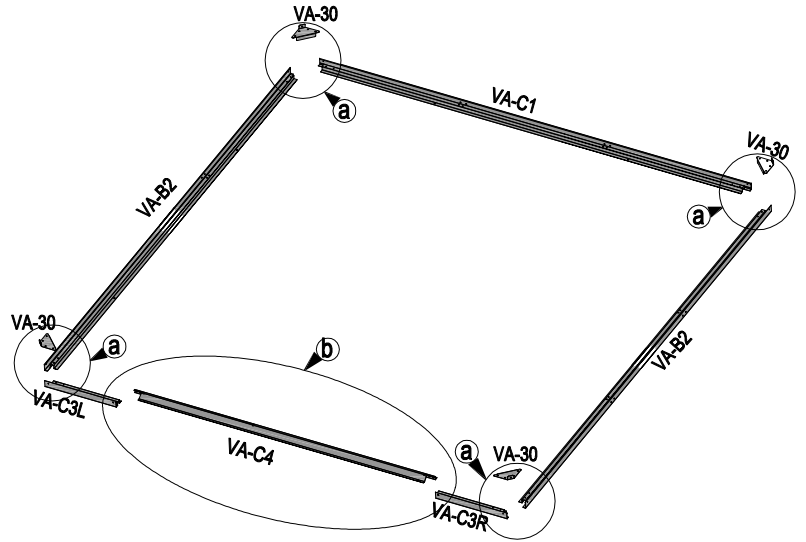
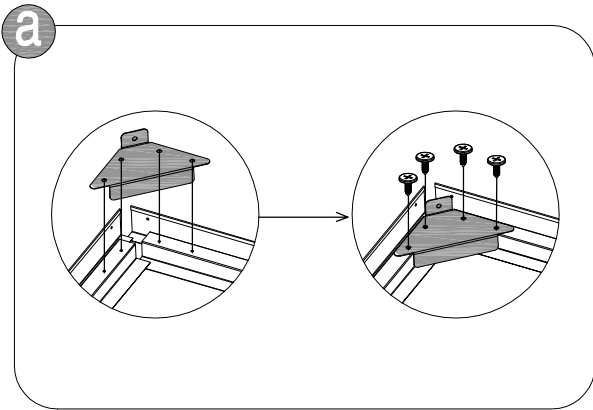
service@50NRTH.com
+49 (0) 6571 95117-0



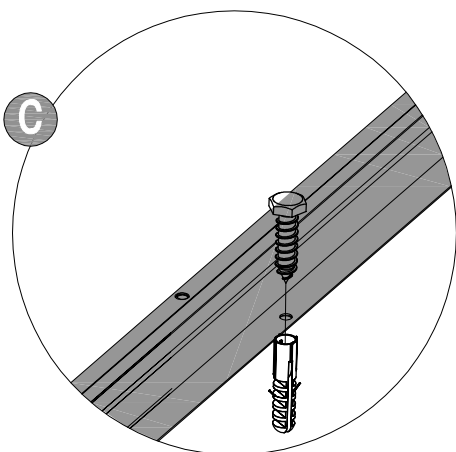
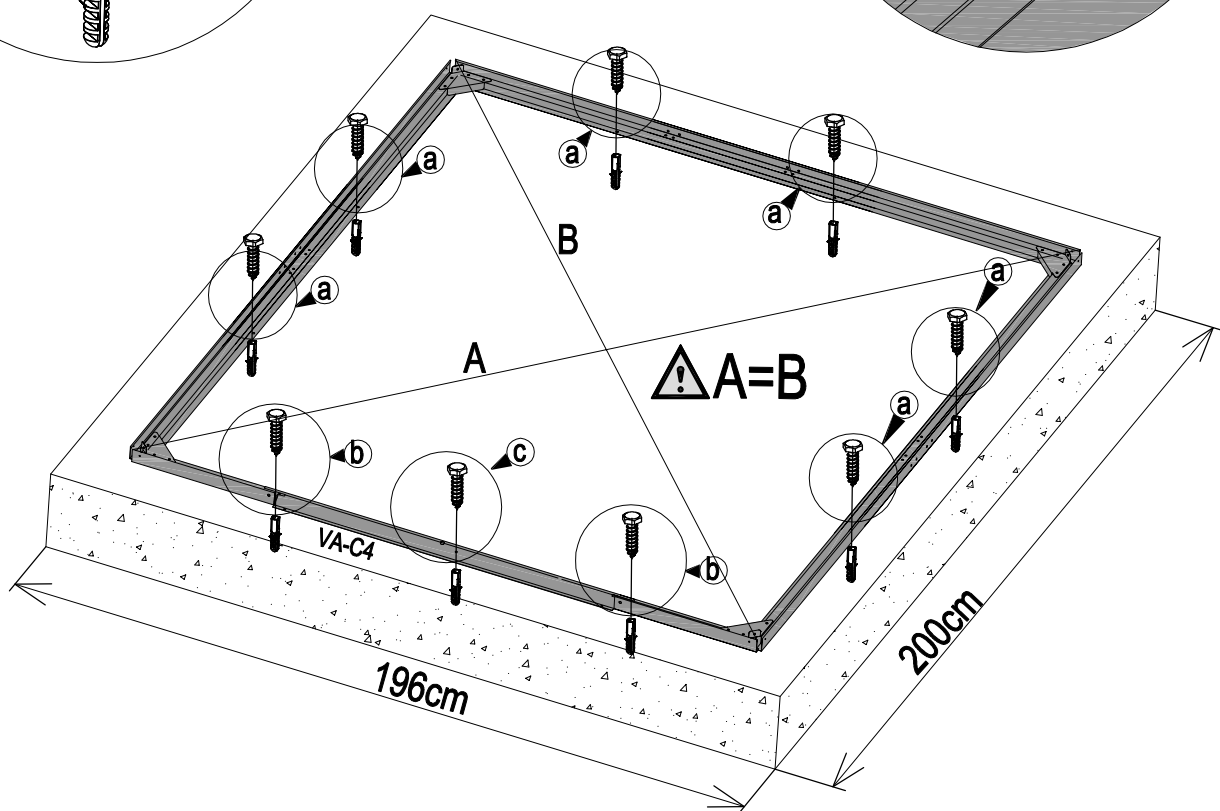
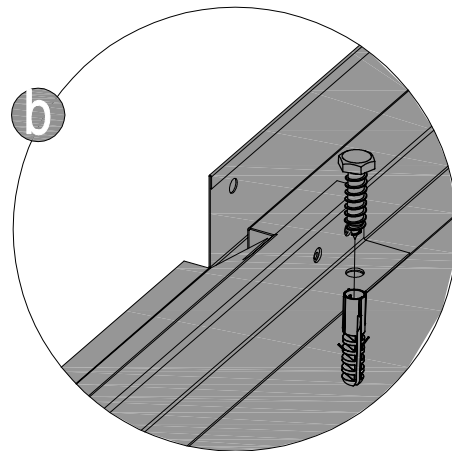
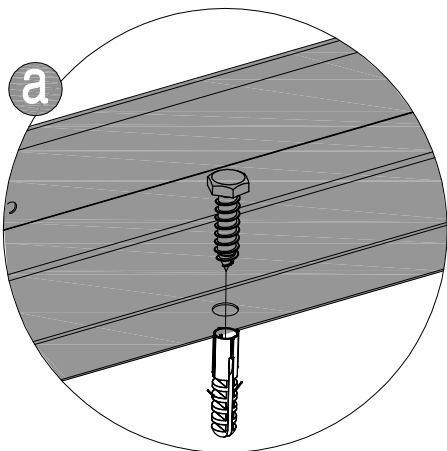
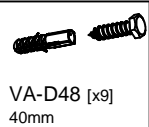
				
VA-C1		1735mm	x1	1/2
VA-B2		1780mm	x2	1/2
VA-C3R		267mm	x1	1/2
VA-C3L		267mm	x1	1/2
VA-C4		1278mm	x1	1/2
VA-30			x4	2/2
VA-31			x4	2/2
VA-37			x4	2/2
				
PB1		876x1840mm	x3	1/2
PB1S		876x1840mm	x1	1/2
PB2B		1710x676mm	x1	1/2
PB3L		566x990mm	x1	2/2
PB3R		566x990mm	x1	2/2
PB3S		566x1125mm	x1	1/2
PB4		566x1100mm	x3	2/2
PB5		255x1548mm	x2	1/2
VA-C7R		1860mm	x2	1/2
VA-C7L		1860mm	x2	1/2
VA-C5		1840mm	x4	1/2
VA-C5b		285mm	x2	1/2
VA-C6b		200mm	x2	1/2
PPX12			x1	1/2
W2S			x1	1/2
PPX13			x1	1/2
VA-C8		562mm	x3	2/2
VA-C9		250mm	x2	2/2
VA-C11		562mm	x3	1/2
VA-C12		250mm	x2	1/2
VA-D17		1797mm	x2	1/2
VA-D19		888mm	x2	1/2
VA-D20		725mm	x1	1/2
VA-33			x2	2/2
VA-34			x1	2/2
VA-D23		1797mm	x1	1/2
VA-36			x2	2/2
VA-32R			x2	2/2
VA-32L			x2	2/2
VA-35			x2	2/2
PPX14			x2	2/2
PPX8			x2	2/2
PPX9			x2	2/2

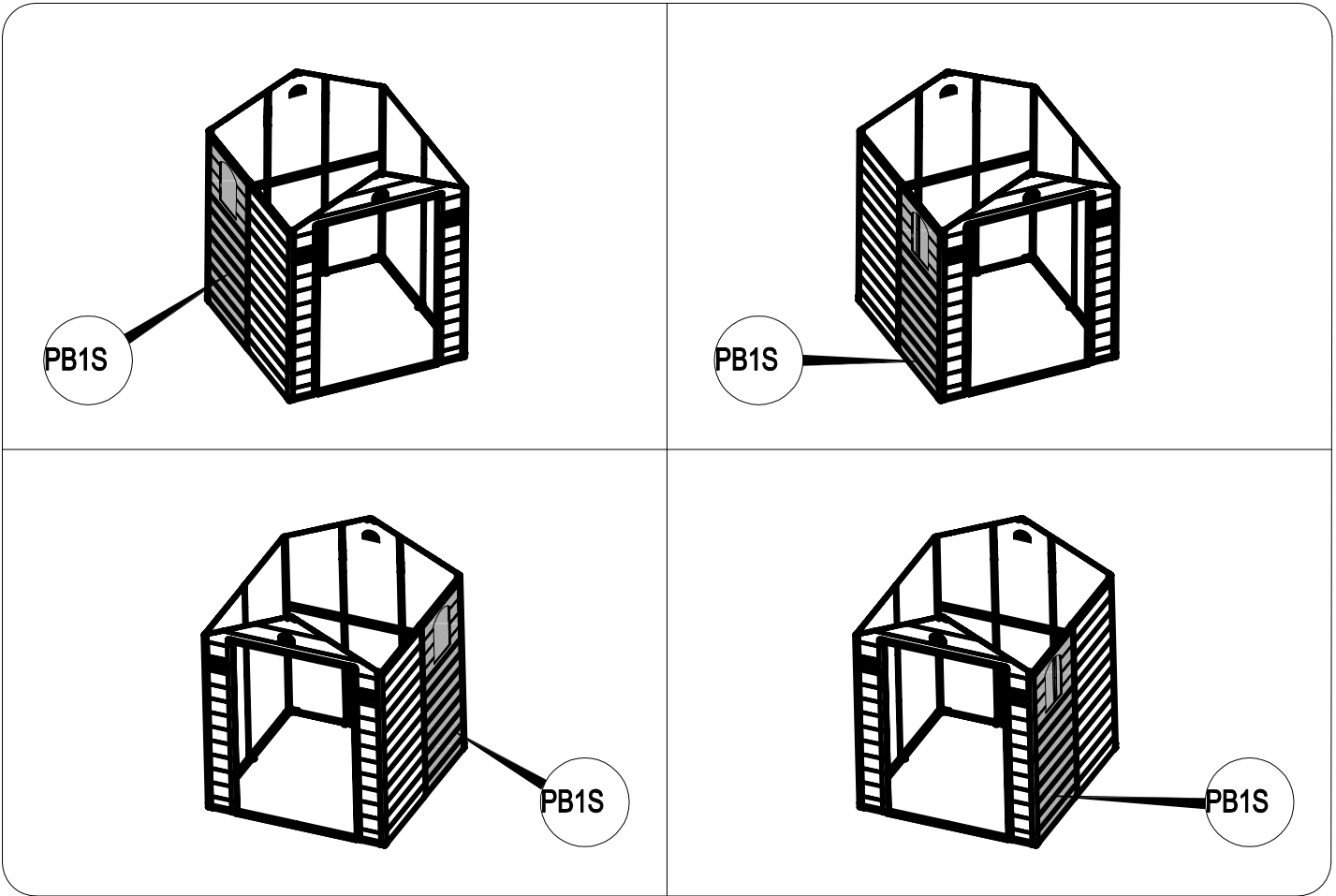
				
PB6-B		990x1865mm	x2	1/2
VA-D21		870mm	x4	2/2
VA-B22		1705mm	x2	1/2
VA-B24		1900mm	x1	1/2
PPX3			x4	2/2
PPX4			x2	2/2
				
VA-C25R		1830mm	x1	1/2
VA-C25L		1830mm	x1	1/2
VA-C26		1198mm	x1	1/2
VA-C27		1812mm	x3	1/2
VA-C28		592mm	x4	1/2
VA-C29		1812mm	x1	1/2
PB7S		1810x591mm	x2	1/2
VA-41			x4	2/2
VA-38a			x2	2/2
VA-38b			x2	2/2
VA-39			x2	2/2
VA-40			x1	2/2
CN-A33			x2	2/2
PA01			x3	2/2
VA-D44		ST4.2x13mm	x234	2/2
VA-D45		ST4.2x19mm	x103	2/2
VA-D46		ST4.2x13mm	x8	2/2
VA-D47		ST4.2x19mm	x4	2/2
VA-D48		ST6.0x40mm	x13	2/2
VA-D49		ST4.2x13mm	x8	2/2
VA-D50		M6x40mm	x10	2/2
VA-51			x1	2/2

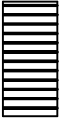



1	 VA-B2 [x2] 1780mm	 VA-C1 [x1] 1735mm	 VA-C3L [x1] 267mm	 VA-C3R [x1] 267mm	 VA-C4 [x1] 1278mm	 VA-30 [x4]	 VA-D44 [x20] 13mm	
----------	---	---	---	---	---	---	--	--

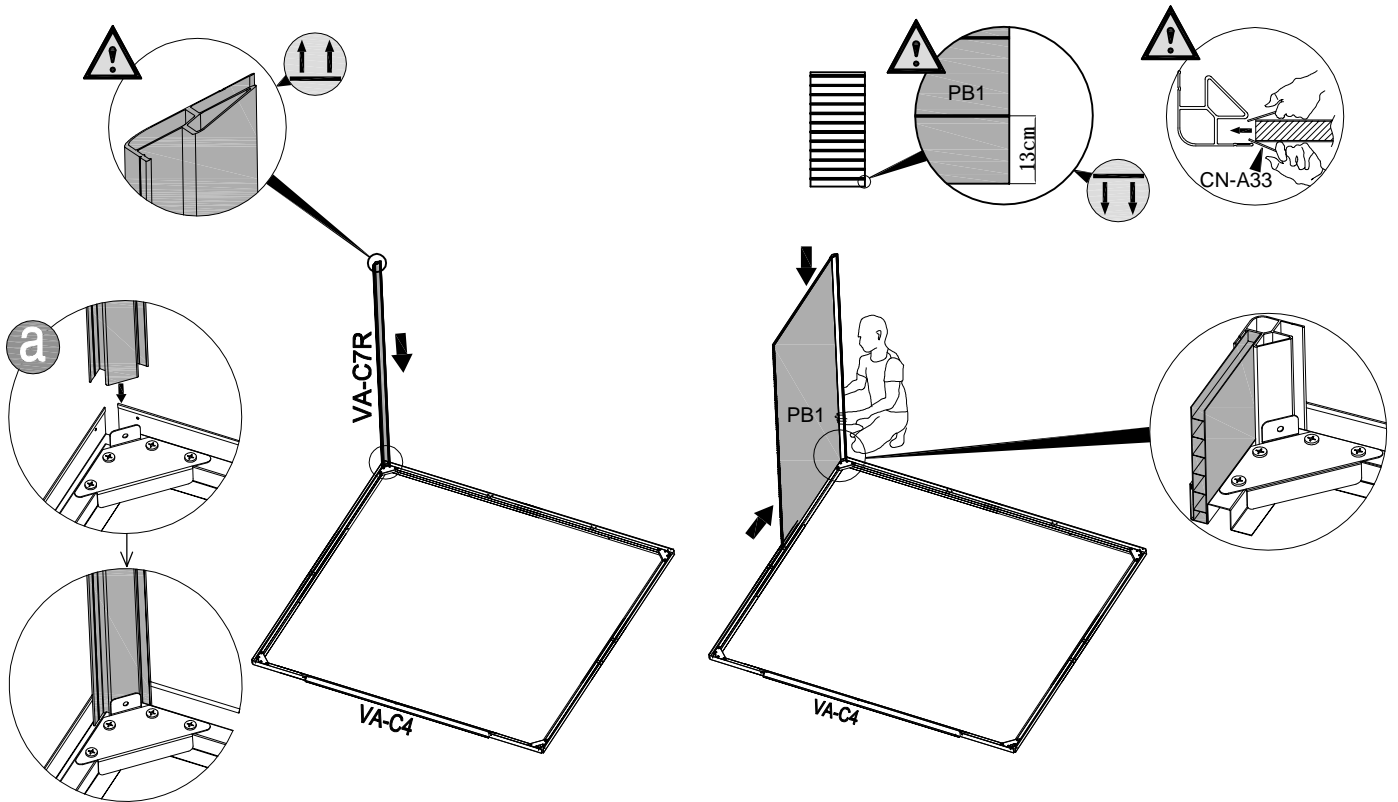






2

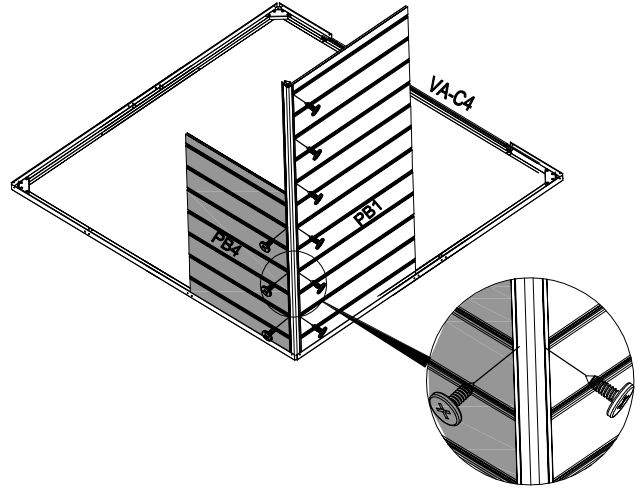
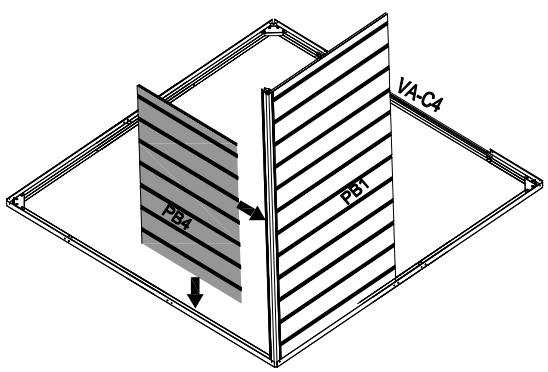



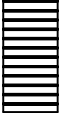






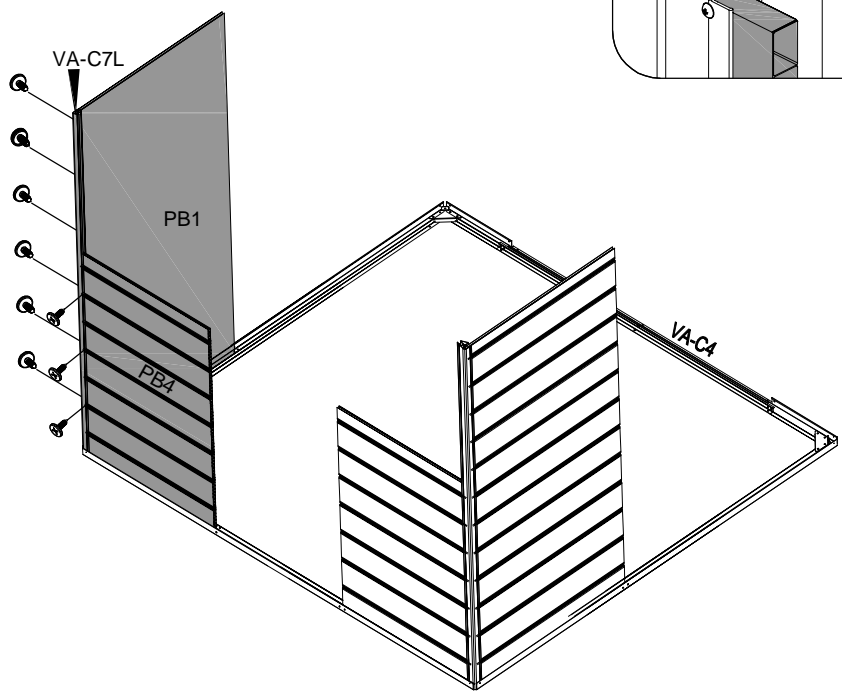
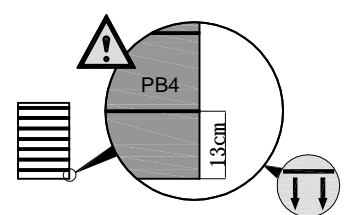
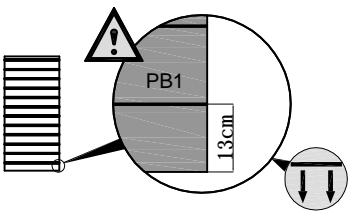
<p>3</p>	<p>PB1 [x1] 876x1840mm</p> 	<p>VA-C7R [x1] 1860mm</p> 	<p>CN-A33</p> 		
-----------------	--	---	---	--	---

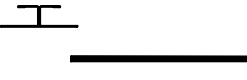




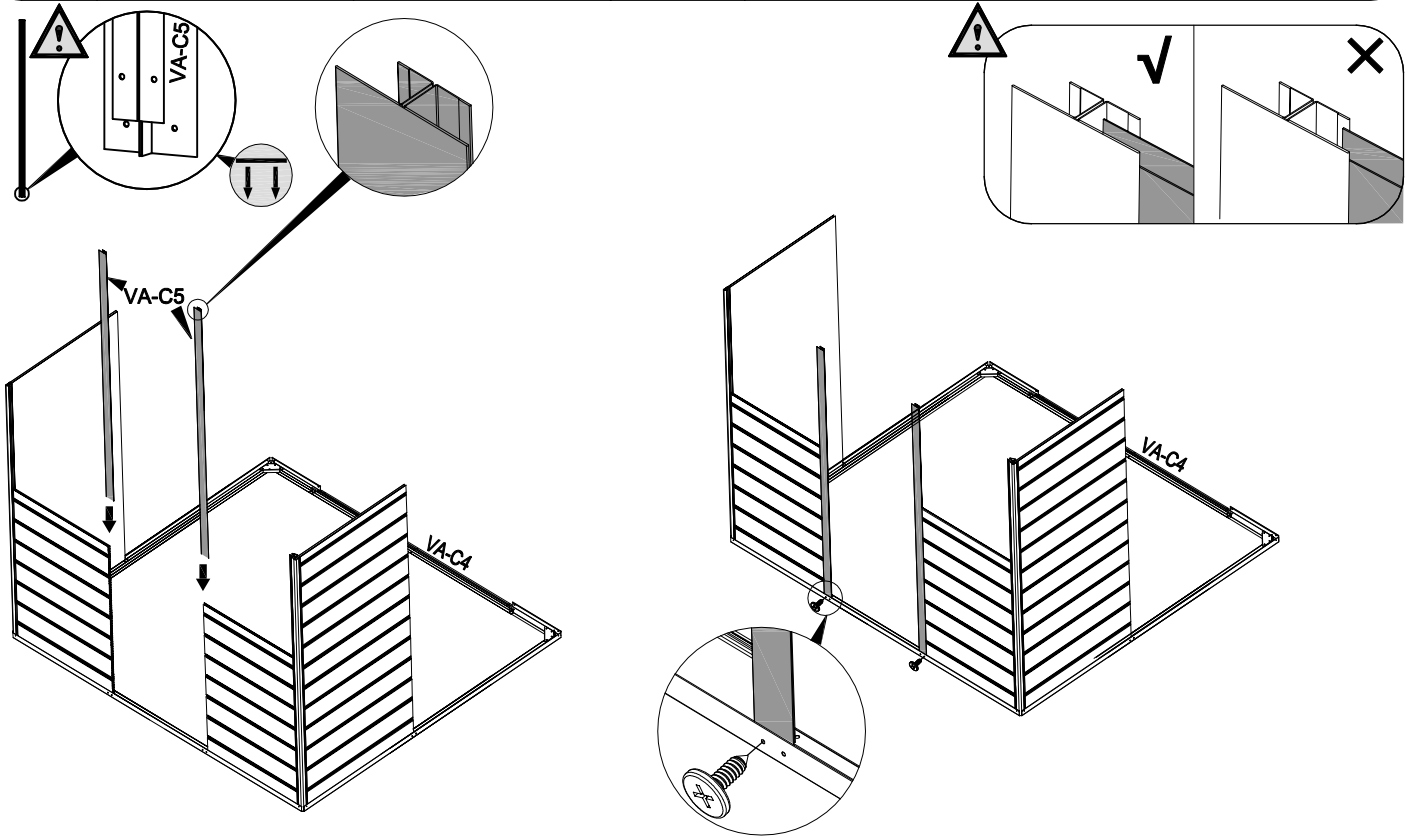
4	 PB4 [x1] 566x1100mm	 VA-D45 [x9] 19mm	 CN-A33	
----------	---	--	---	---

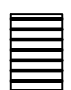
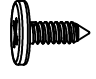
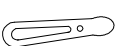



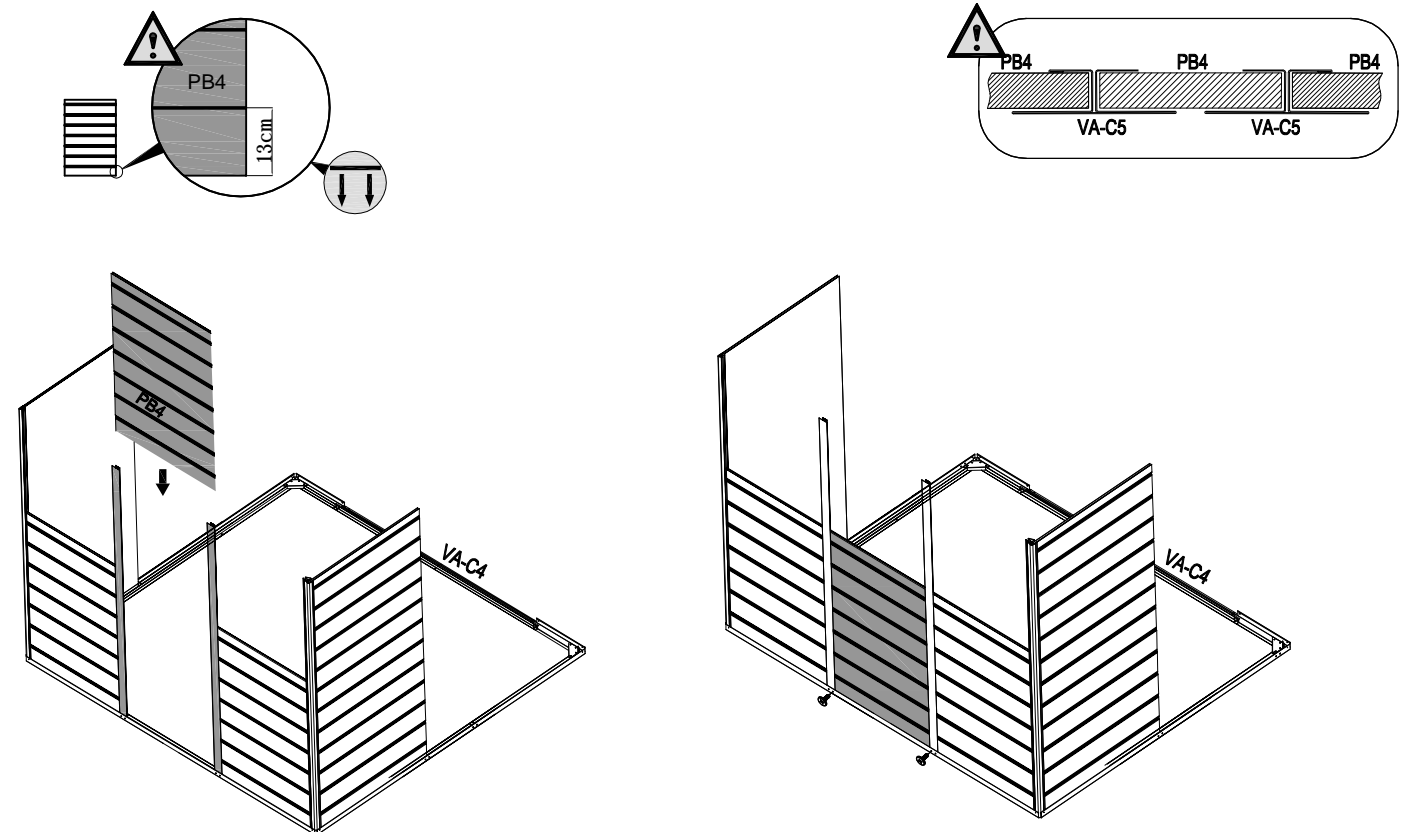
5	 VA-C7L [x1] 1860mm	 PB1 [x1] 876x1840mm	 PB4 [x1] 566x1100mm	 VA-D45 [x9] 19mm	 CN-A33	
----------	--	---	---	--	---	---





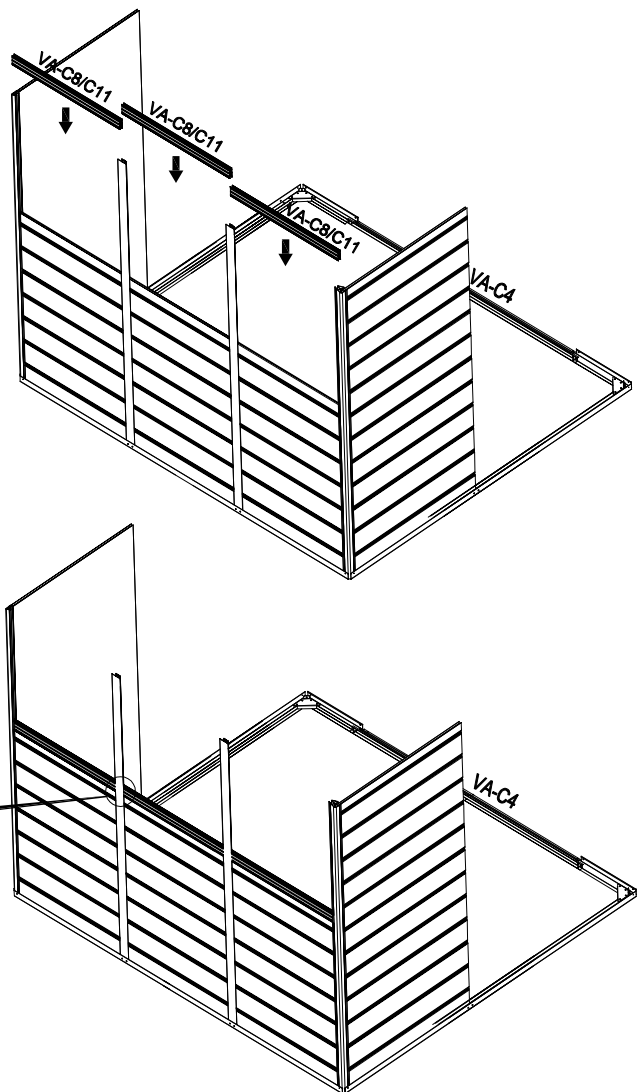
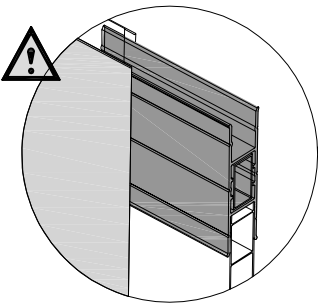
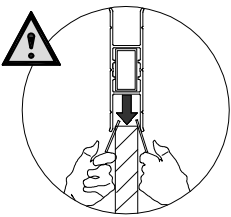
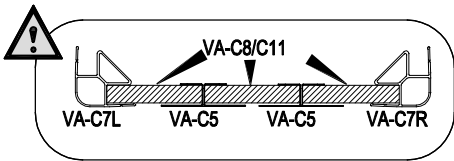
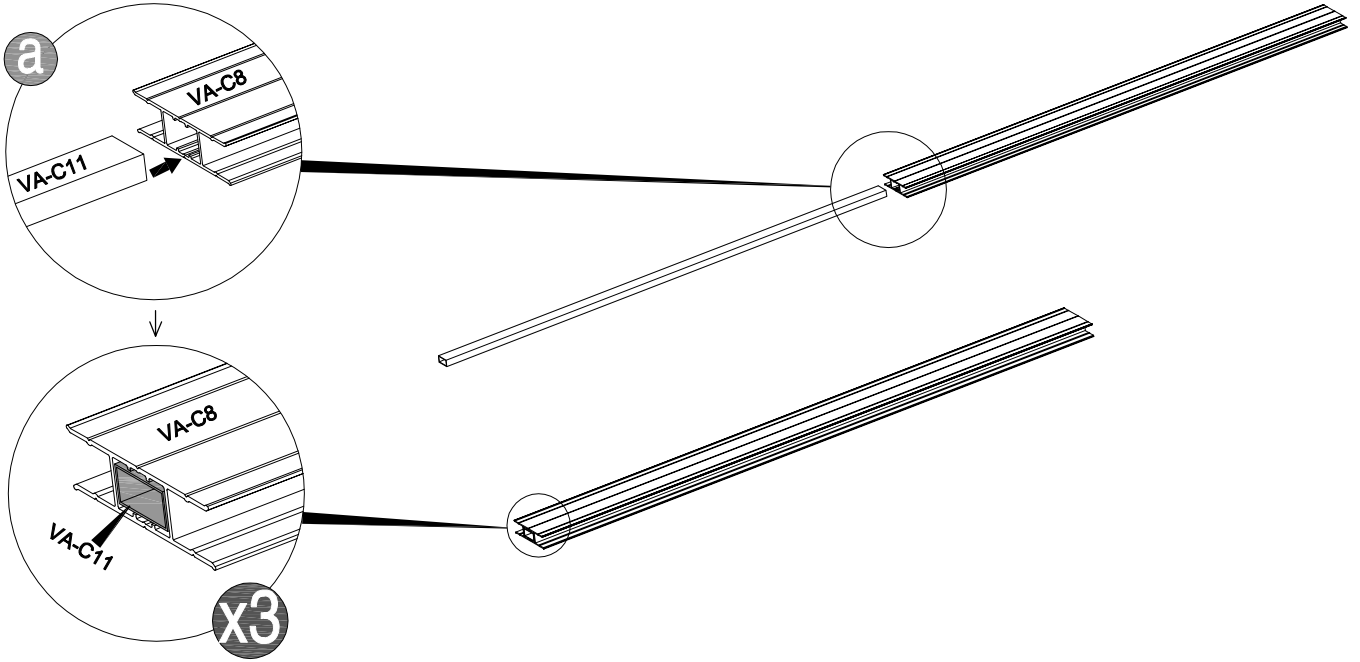
6	 VA-C5 [x2] 1840mm	 VA-D44 [x2] 13mm	 CN-A33	
---	---	--	---	--


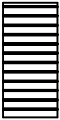






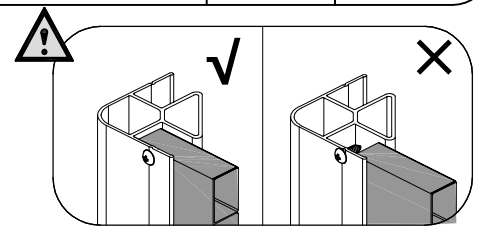
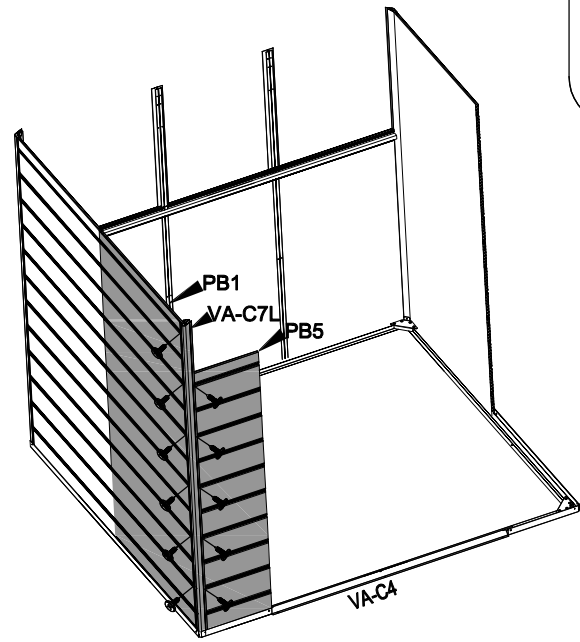
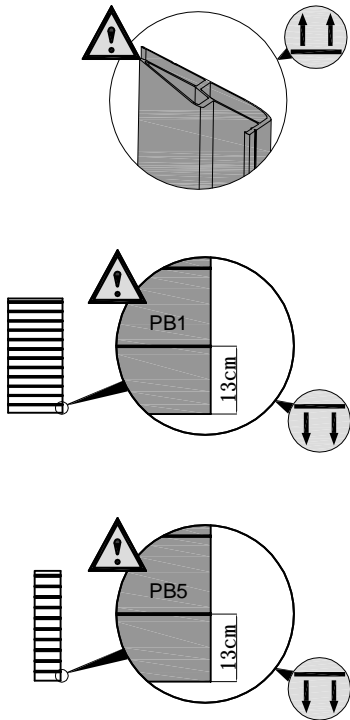
7	 PB4 [x1] 566x1100mm	 VA-D44 [x2] 13mm	 CN-A33	
---	---	--	---	---


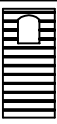






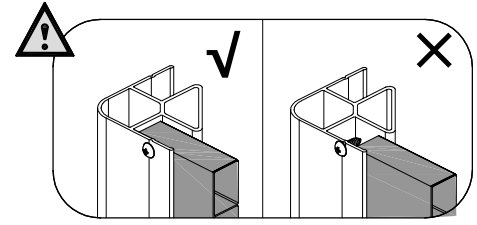
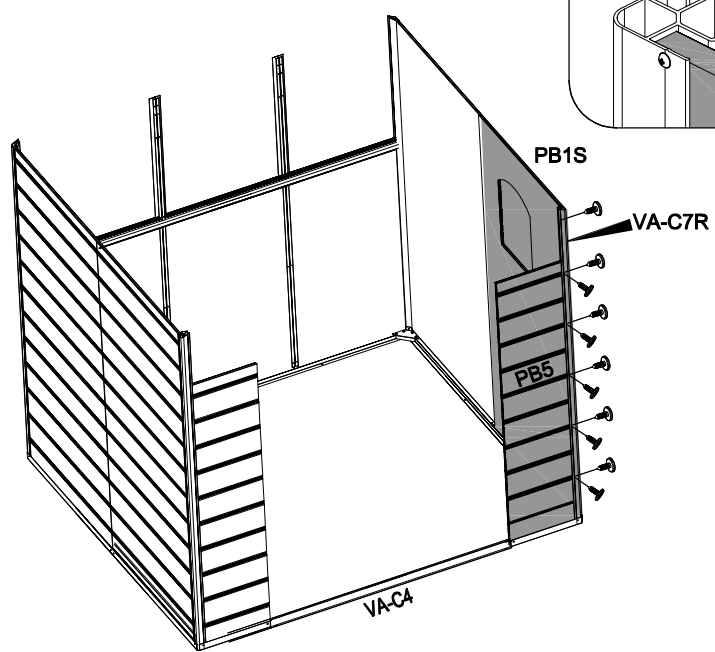
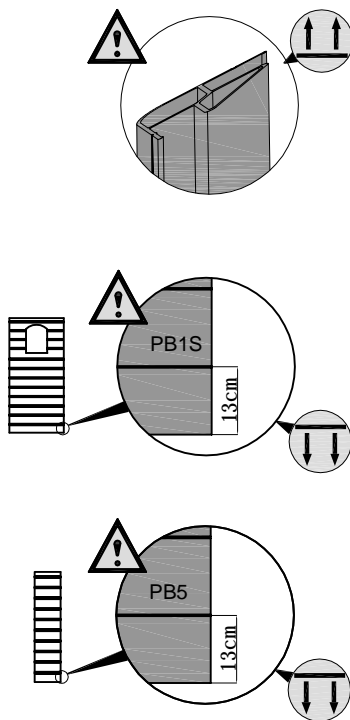
8	 VA-C8 [x3] 562mm	 VA-C11 [x3] 562mm		
----------	--	---	--	--



9		VA-C7L [x1] 1860mm		PB1 [x1] 876x1840mm		PB5 [x1] 255x1548mm		VA-D45 [x11] 19mm		CN-A33	



10		VA-C7R [x1] 1860mm		PB1S [x1] 876x1840mm		PB5 [x1] 255x1548mm		VA-D45 [x11] 19mm		CN-A33	



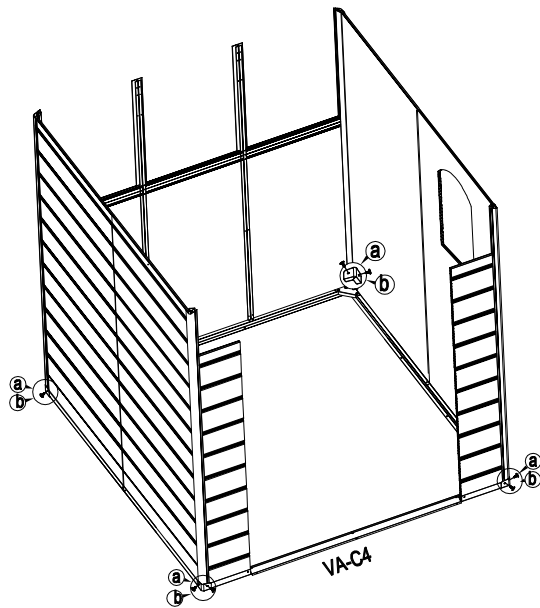
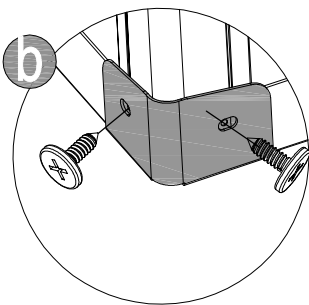
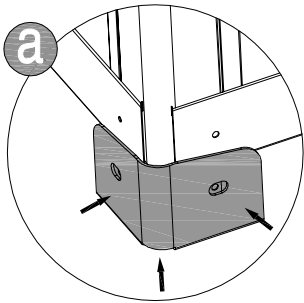
11



VA-31 [x4]



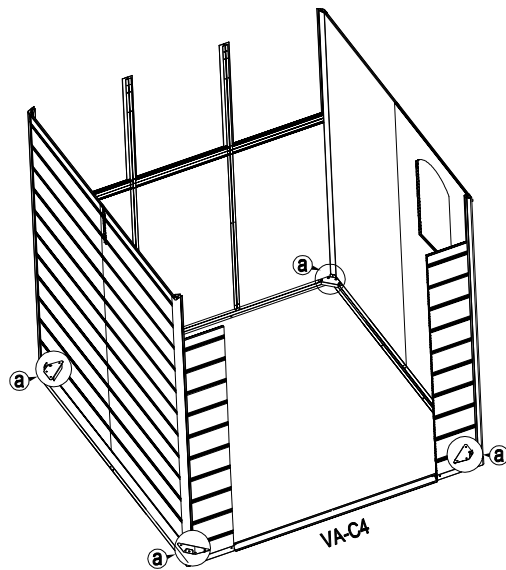
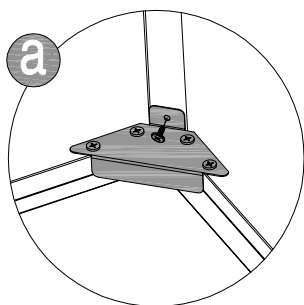
VA-D44 [x8]
13mm



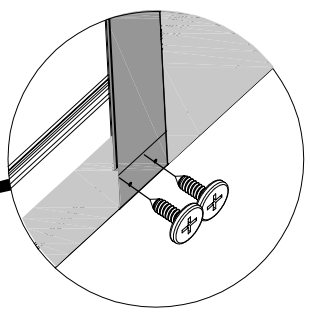
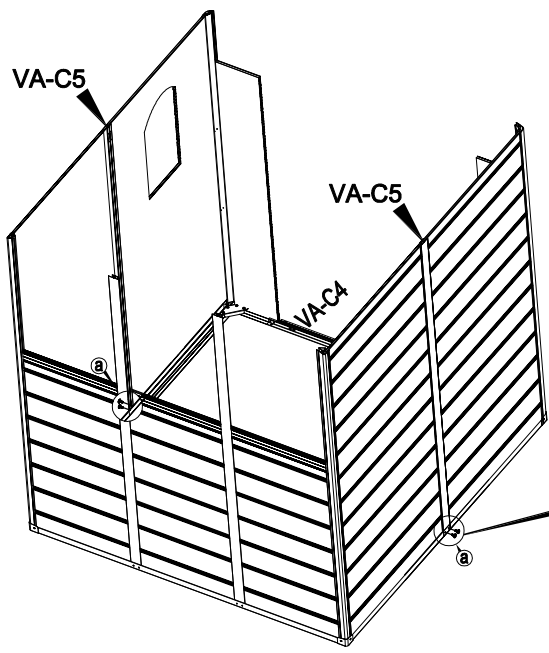
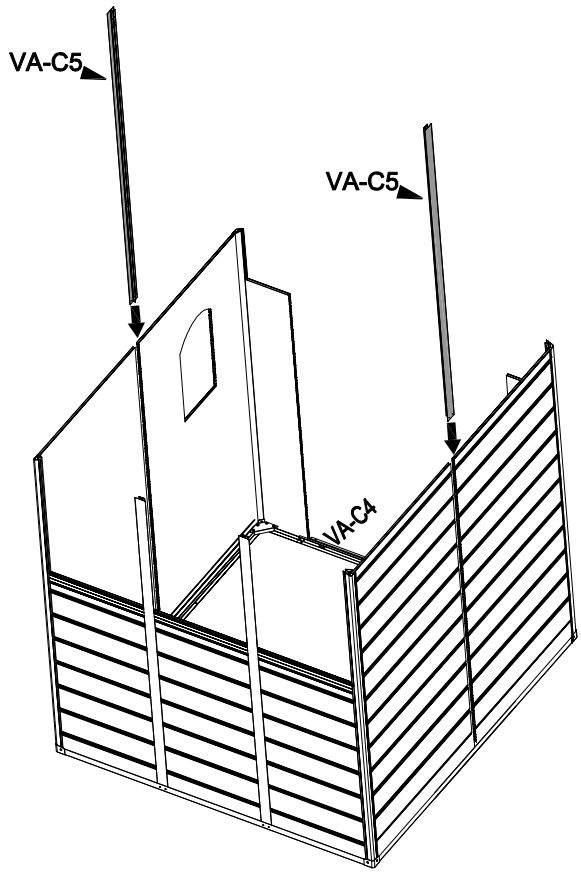
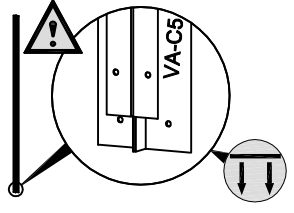
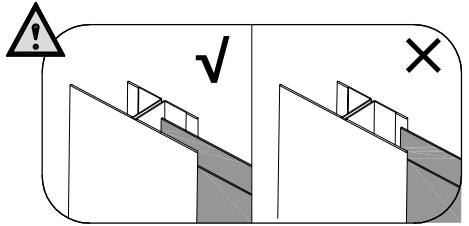
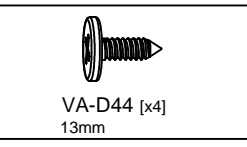
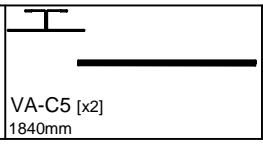
12



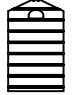





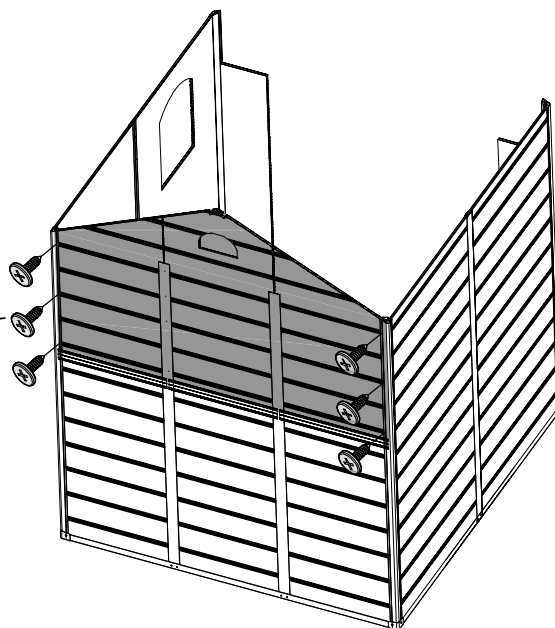
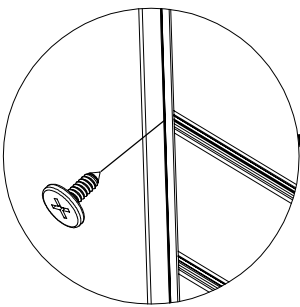
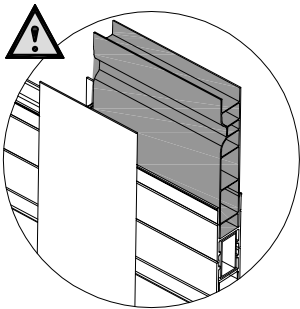
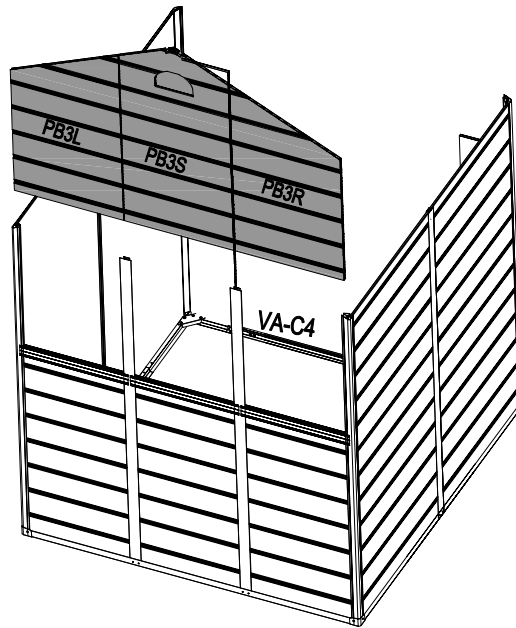
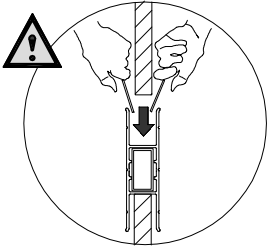
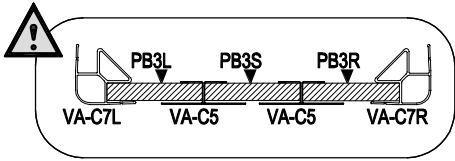
VA-D44 [x4]
13mm

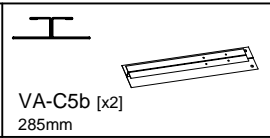
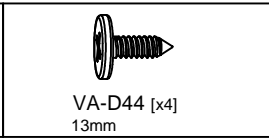



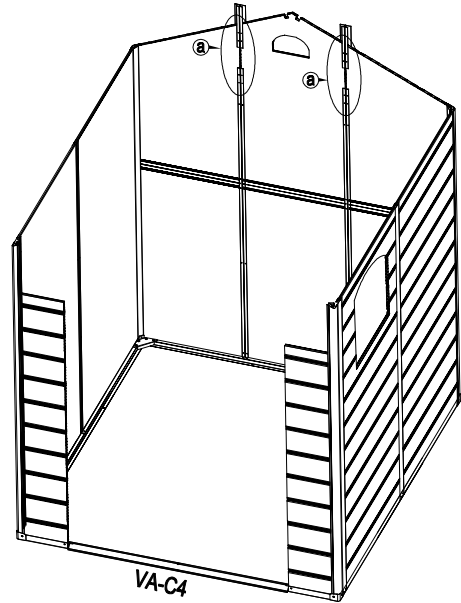
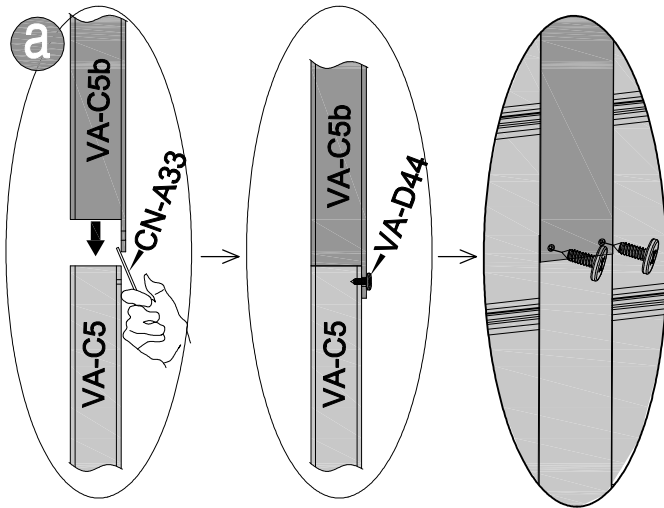
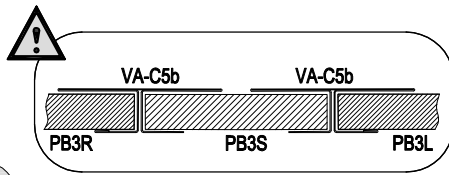
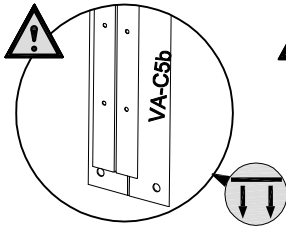
13

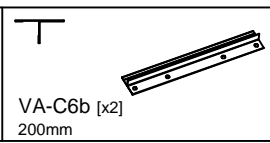


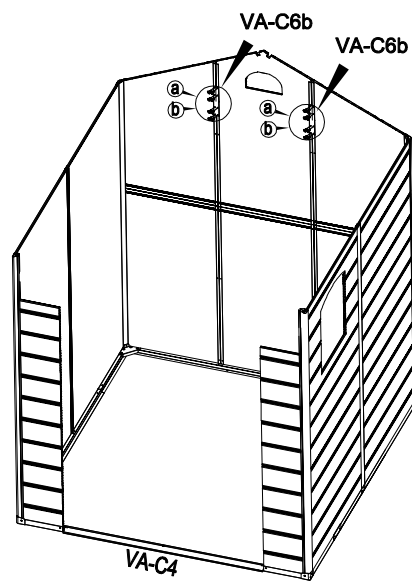
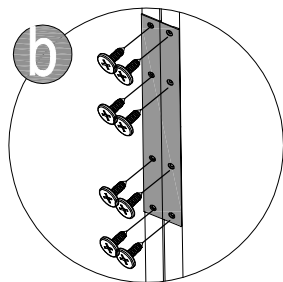
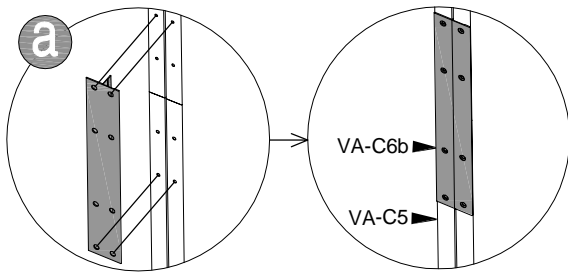
<p>14</p>	 <p>PB3L [x1] 566x990mm</p>	 <p>PB3R [x1] 566x990mm</p>	 <p>PB3S [x1] 566x1125mm</p>	 <p>VA-D45 [x6] 19mm</p>	 <p>CN-A33</p>	
------------------	--	--	---	---	---	---



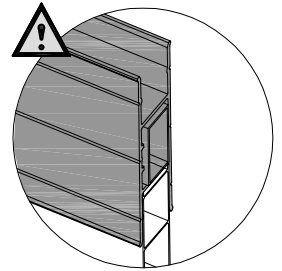
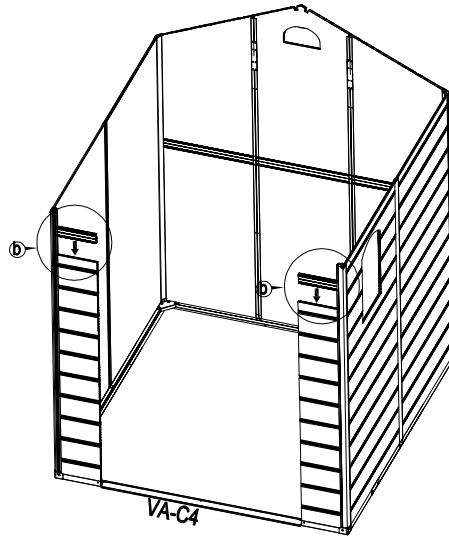
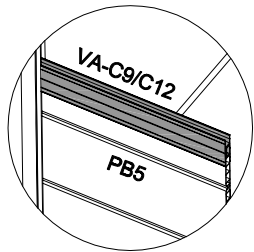
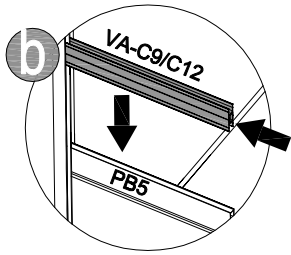
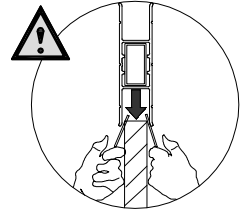
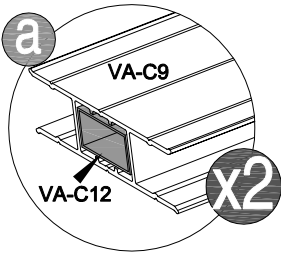
<p>15</p>	 <p>VA-C5b [x2] 285mm</p>	 <p>VA-D44 [x4] 13mm</p>	 <p>CN-A33</p>
------------------	--	---	--








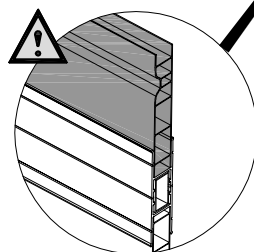
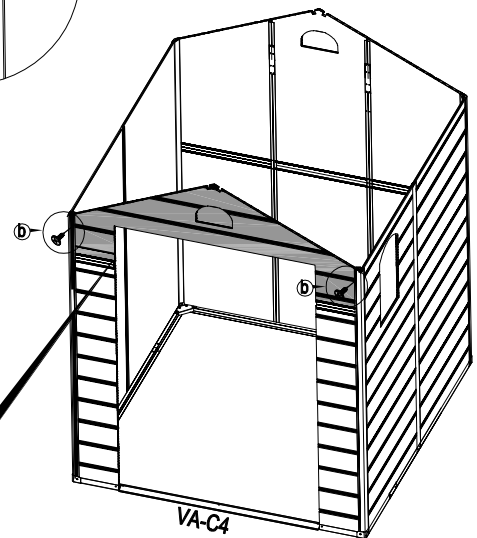
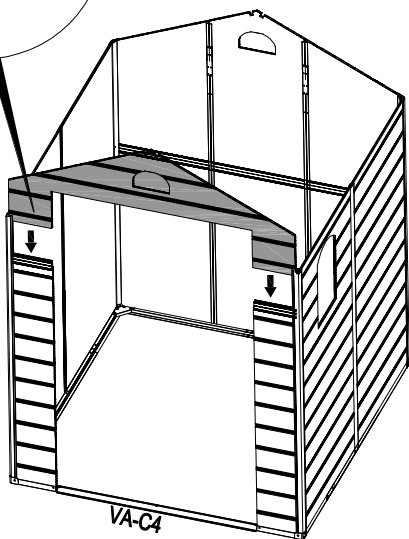
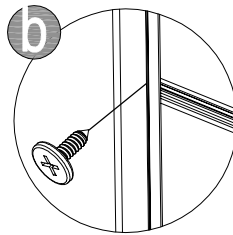
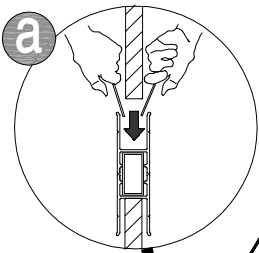
<p>16</p>	 <p>VA-C6b [x2] 200mm</p>	 <p>VA-D44 [x16] 13mm</p>	
------------------	--	--	--



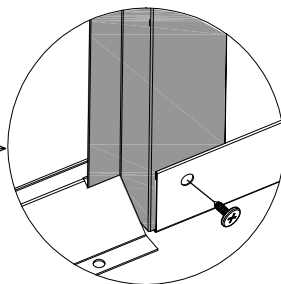
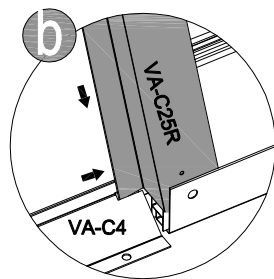
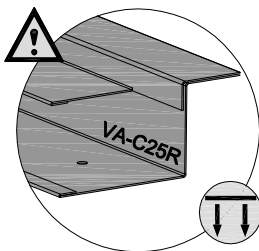
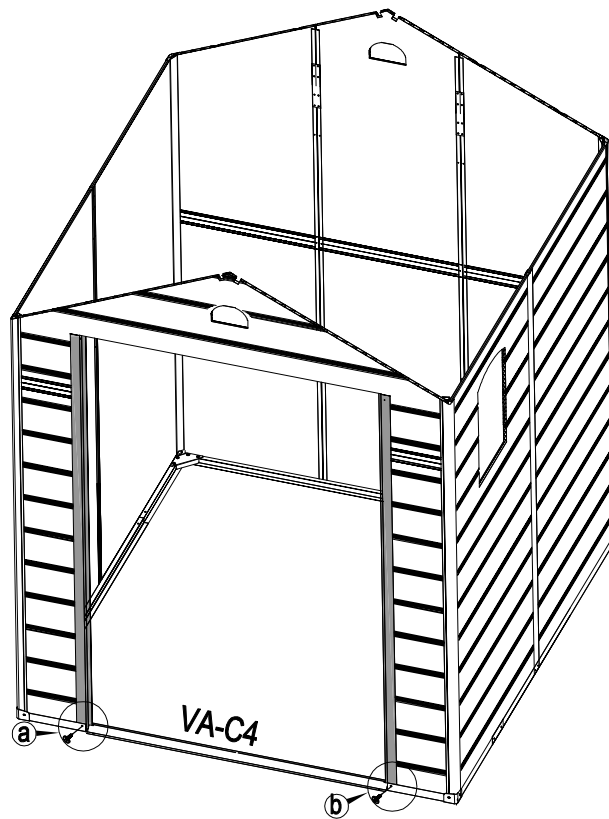
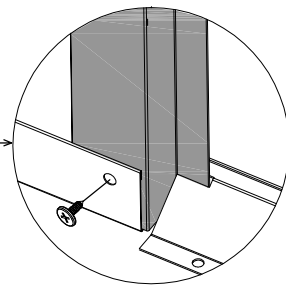
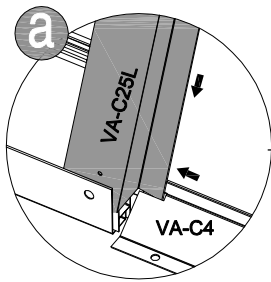
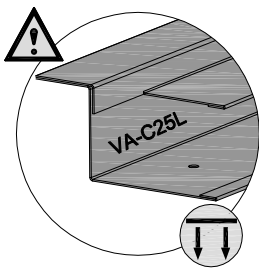
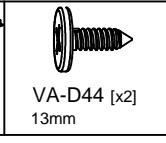
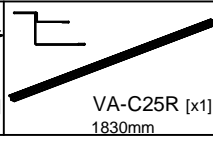
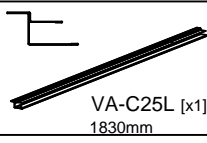
17	 VA-C9 [x2] 250m	 VA-C12 [x2] 250mm		 CN-A33	
----	---	---	--	---	---


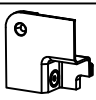






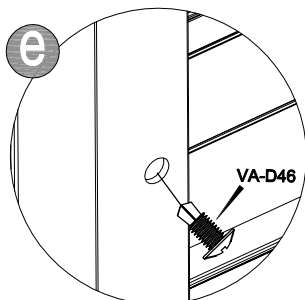
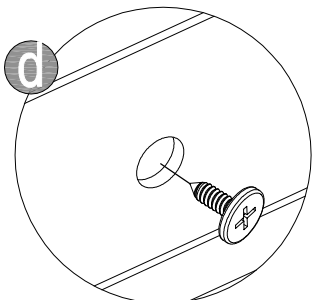
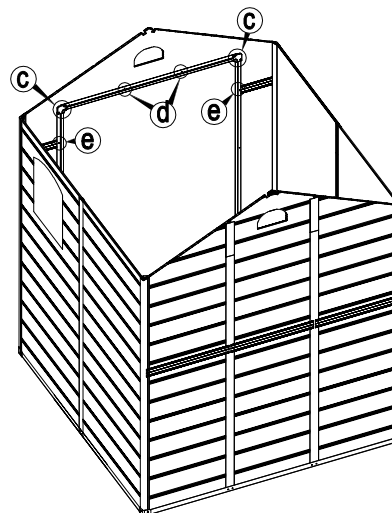
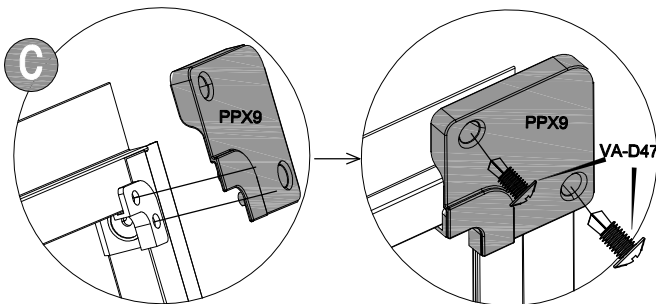
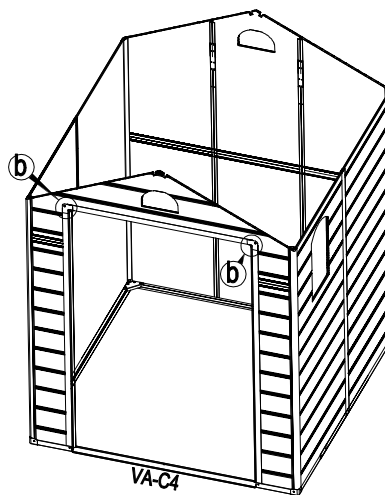
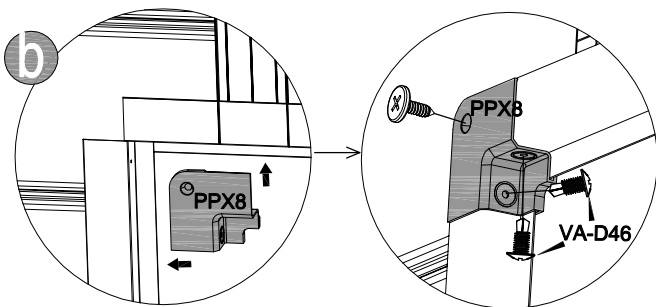
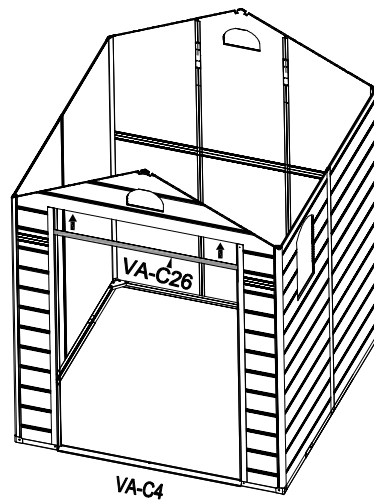
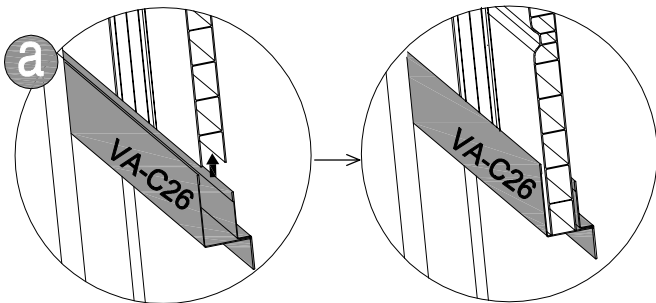
18	 PB2B [x1] 1710x676mm	 VA-D45 [x2] 19mm		 CN-A33		
----	--	--	--	---	---	---



19



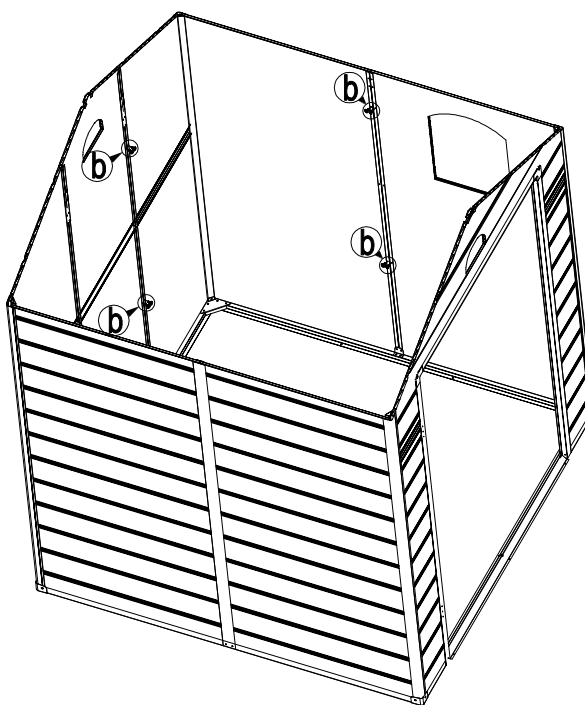
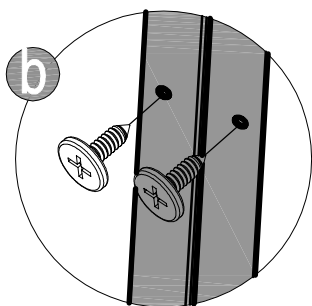
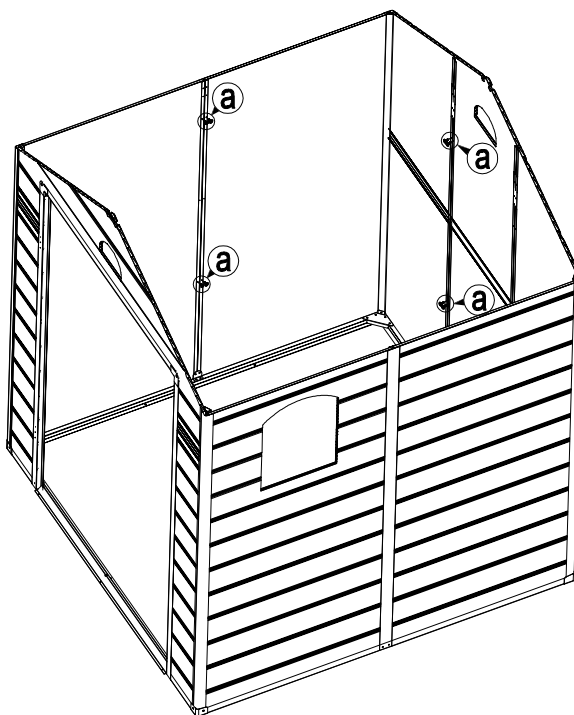
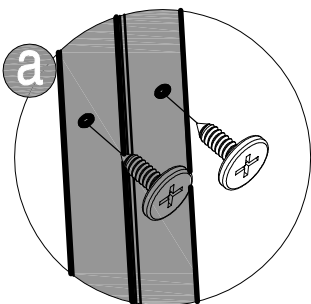
20	 VA-C26 [x1] 1198mm	 PPX8 [x2]	 PPX9 [x2]	 VA-D44 [x4] 13mm	 VA-D46 [x6] 13mm	 VA-D47 [x4] 19mm	
----	--	--	--	--	--	--	--

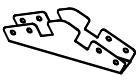


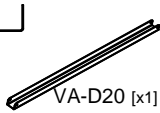



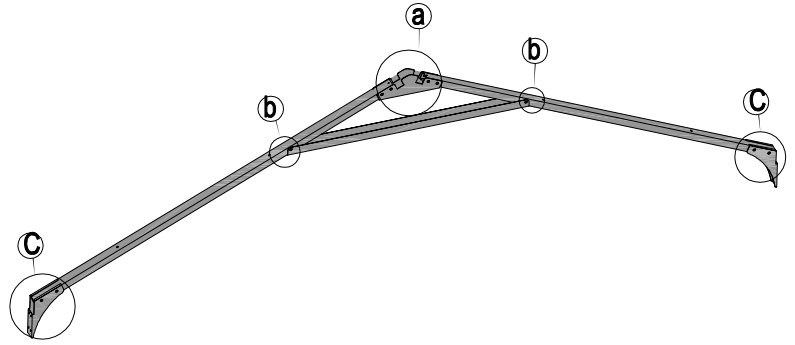
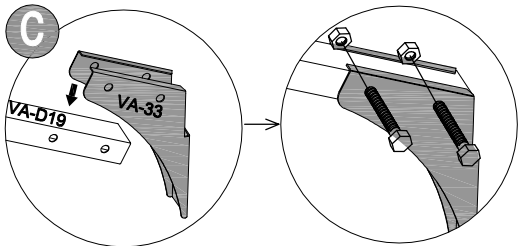
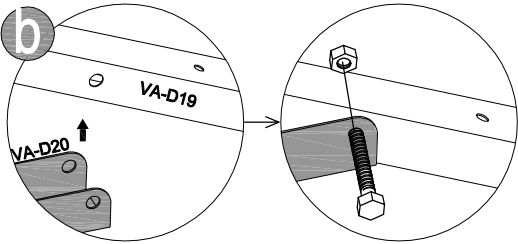
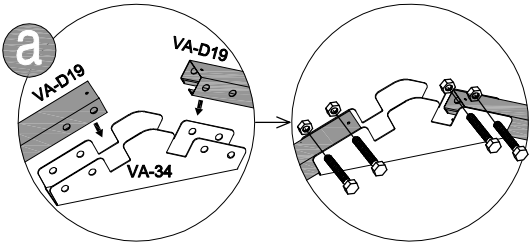
21






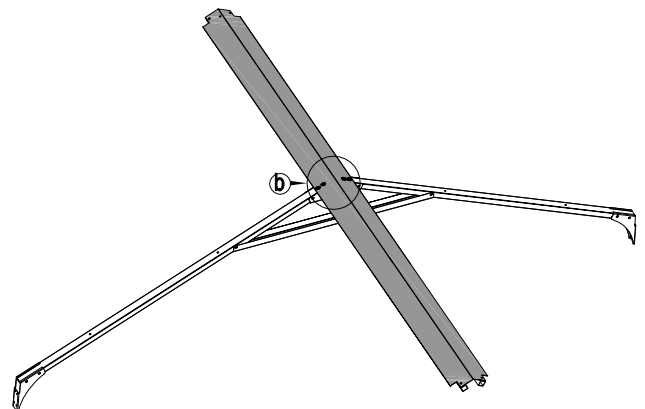
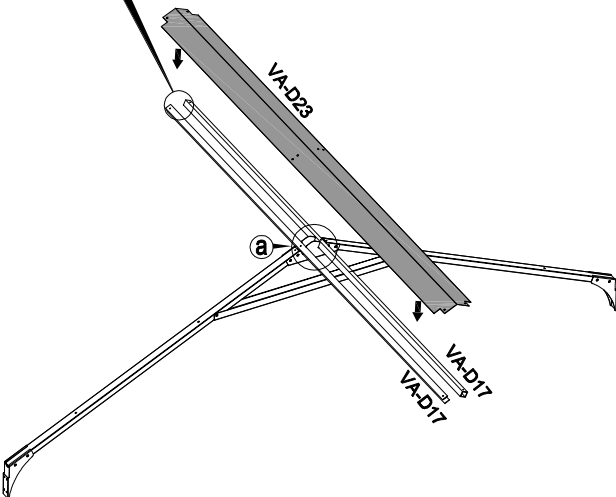
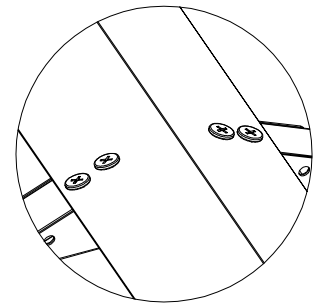
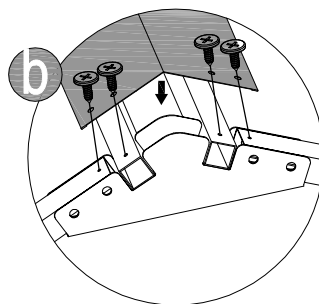
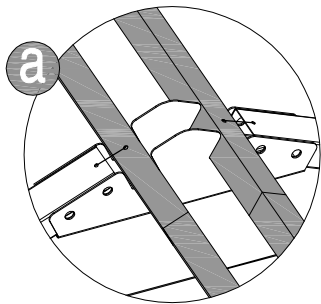
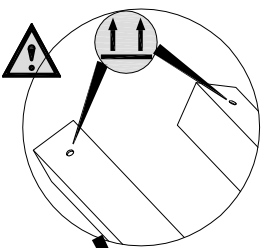
VA-D44 [x16]
13mm



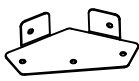
22	 VA-34 [x1]	 VA-33 [x2]	 VA-D19 [x2] 888mm	 VA-D20 [x1] 725mm	 VA-D50 [x10] 40mm	
----	---	---	---	--	---	--



23	 VA-D17 [x2] 1797mm	 VA-D23 [x1] 1797mm	 VA-D44 [x4] 13mm	
----	--	--	--	--



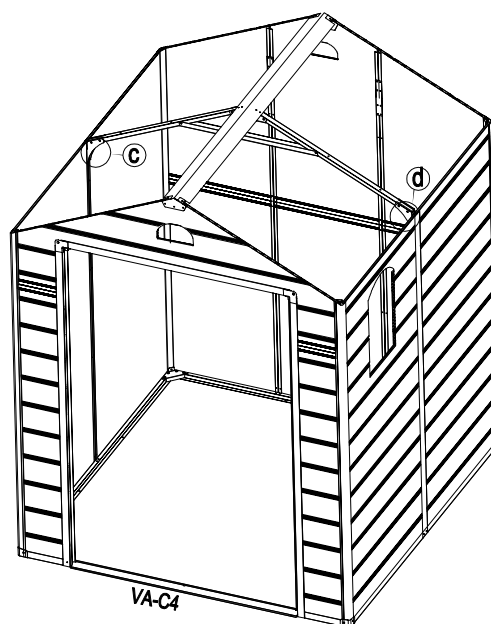
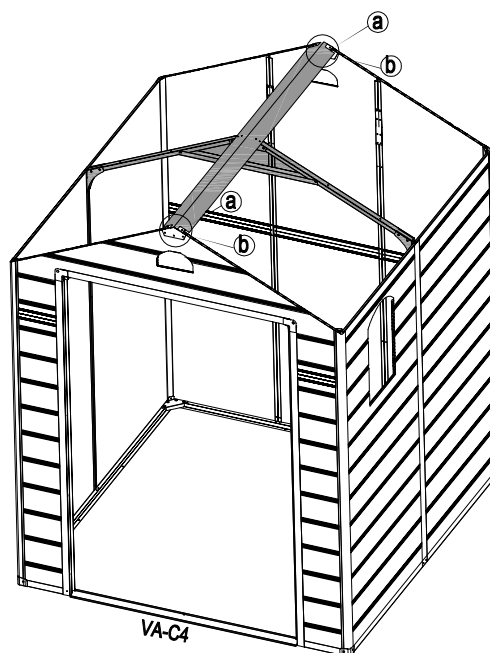
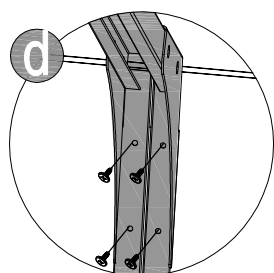
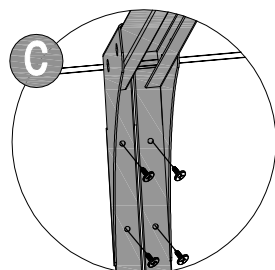
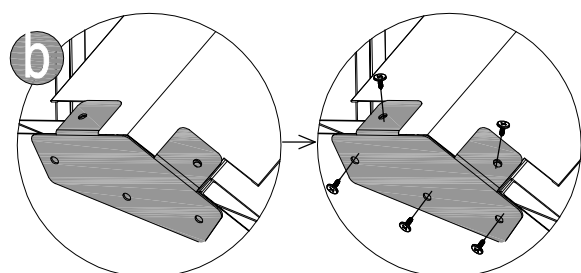
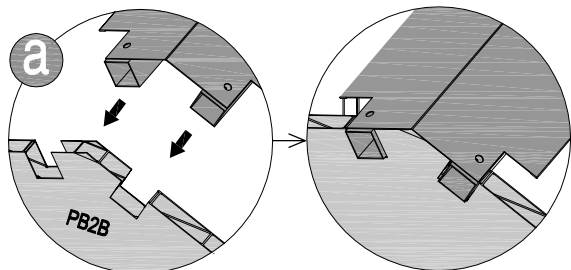
24






VA-35 [x2]

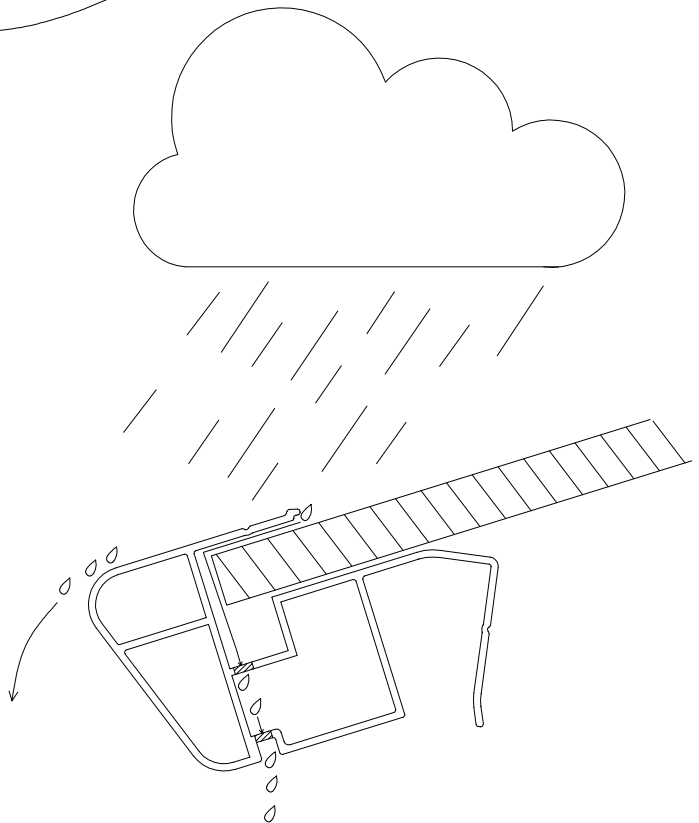
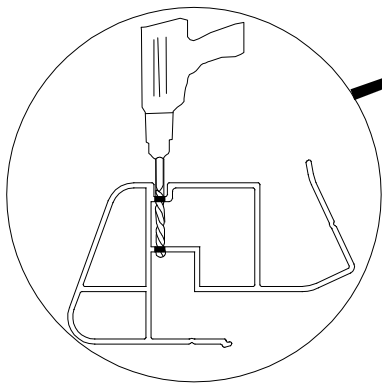
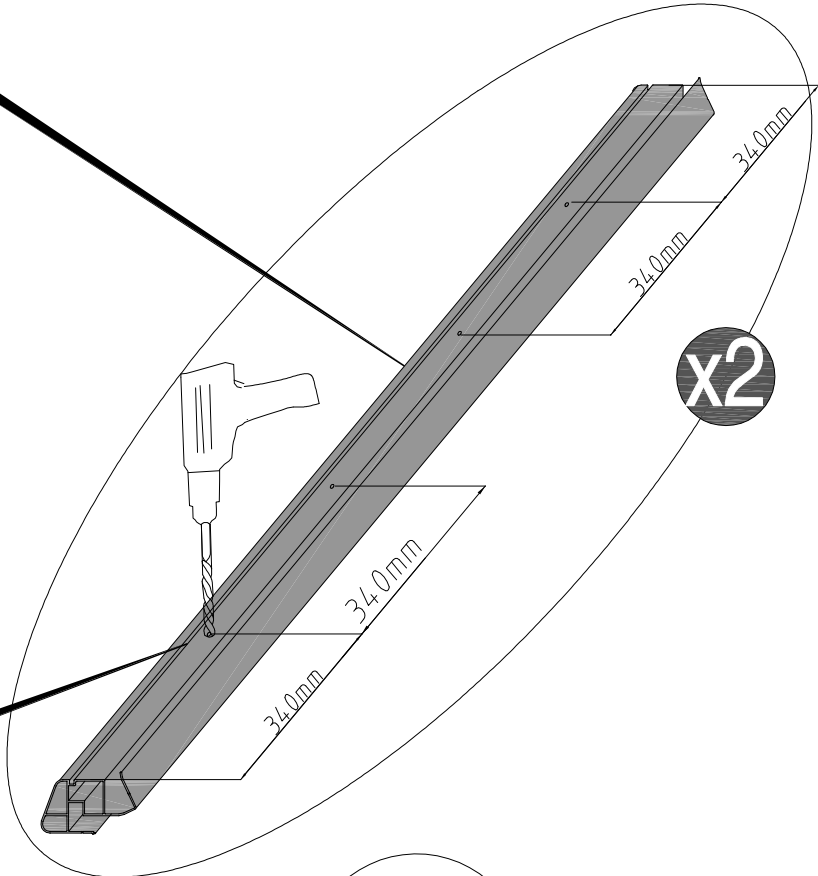


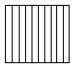
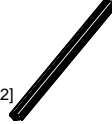

VA-D44 [x18]
13mm

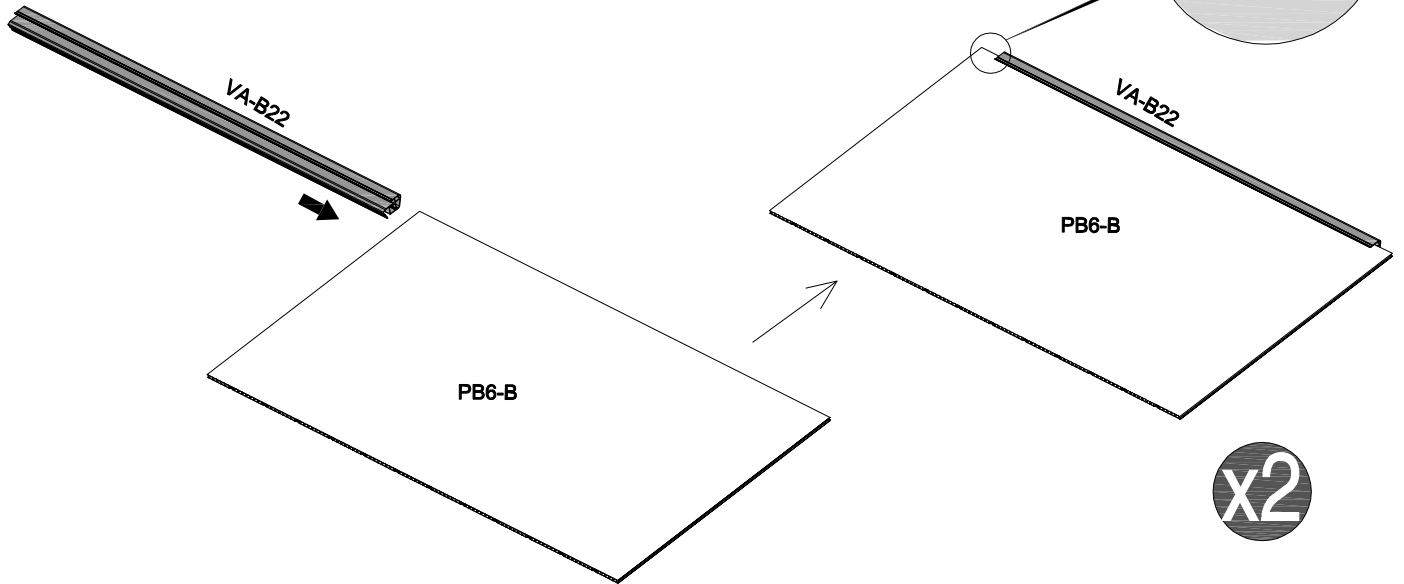
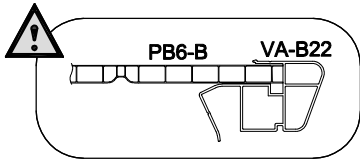




25	 VA-B22 [x2] 1705mm	 Ø8mm		
----	--	---	--	--

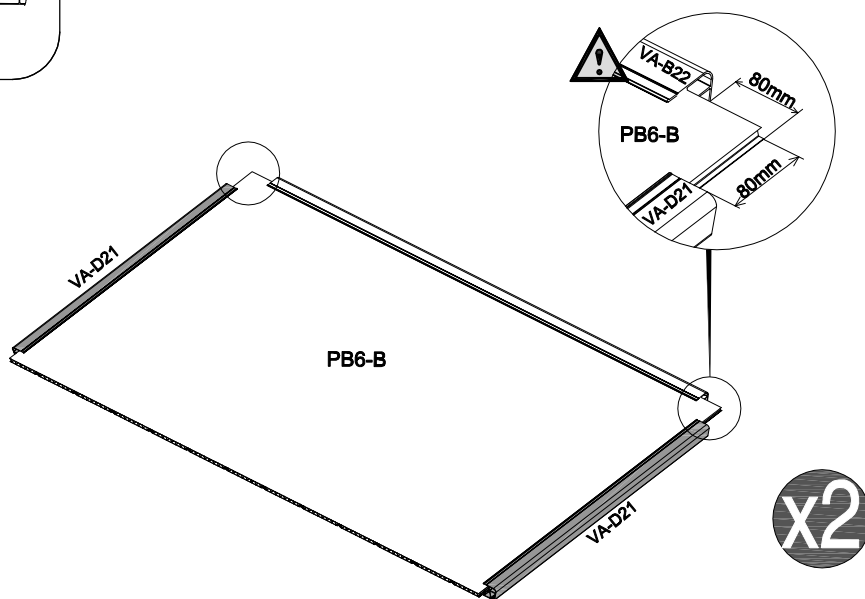
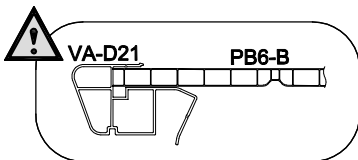
 VA-B22 [x2] 1705mm	 VA-D21 [x4] 870mm
---	---



26	 PB6-B [x2] 990x1865mm	 VA-B22 [x2] 1705mm	 CN-A33	
----	---	--	---	--



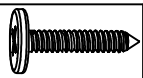
27	 VA-D21 [x4] 870mm	 CN-A33	
----	---	---	--



28



PPX3[x4]



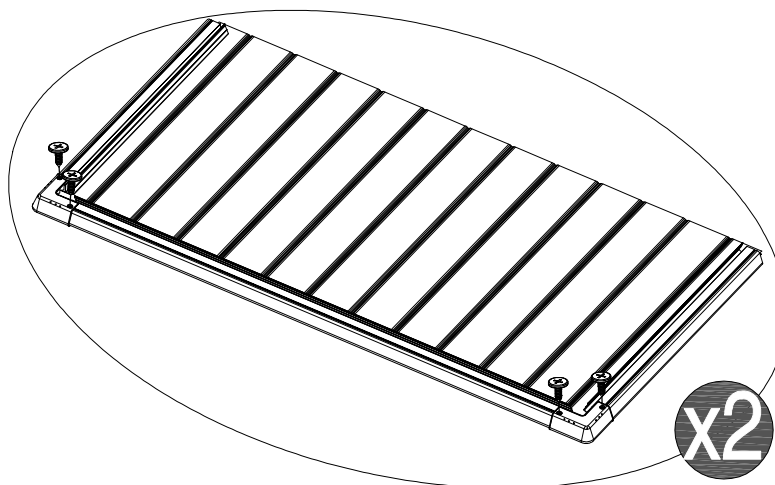
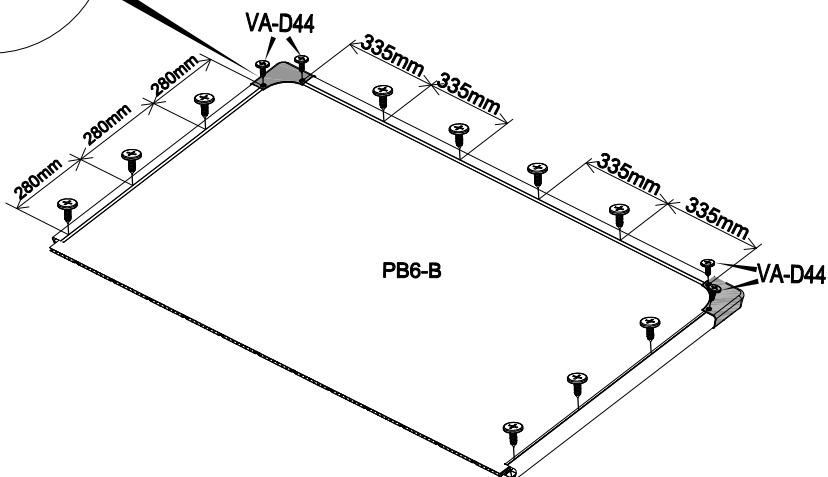
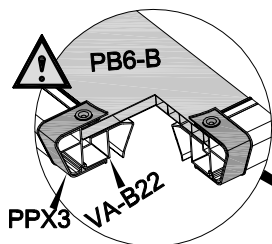
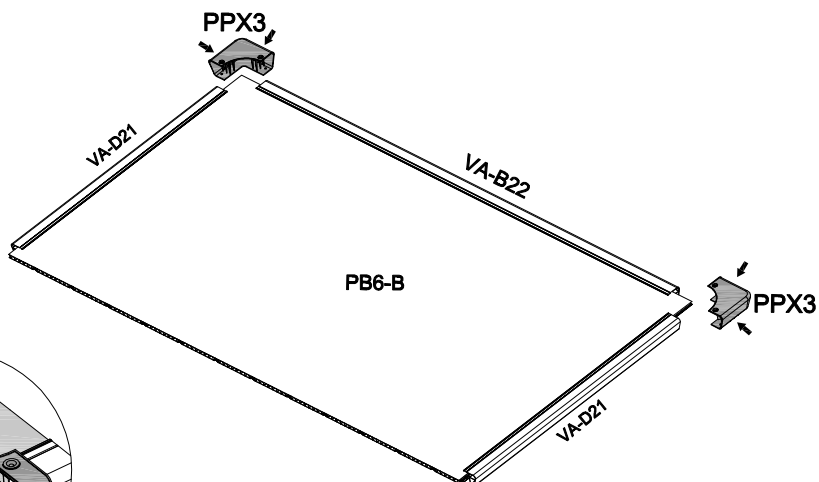
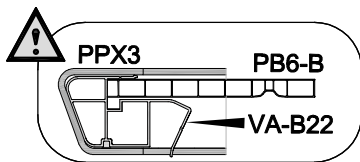
VA-D45 [x28]
19mm



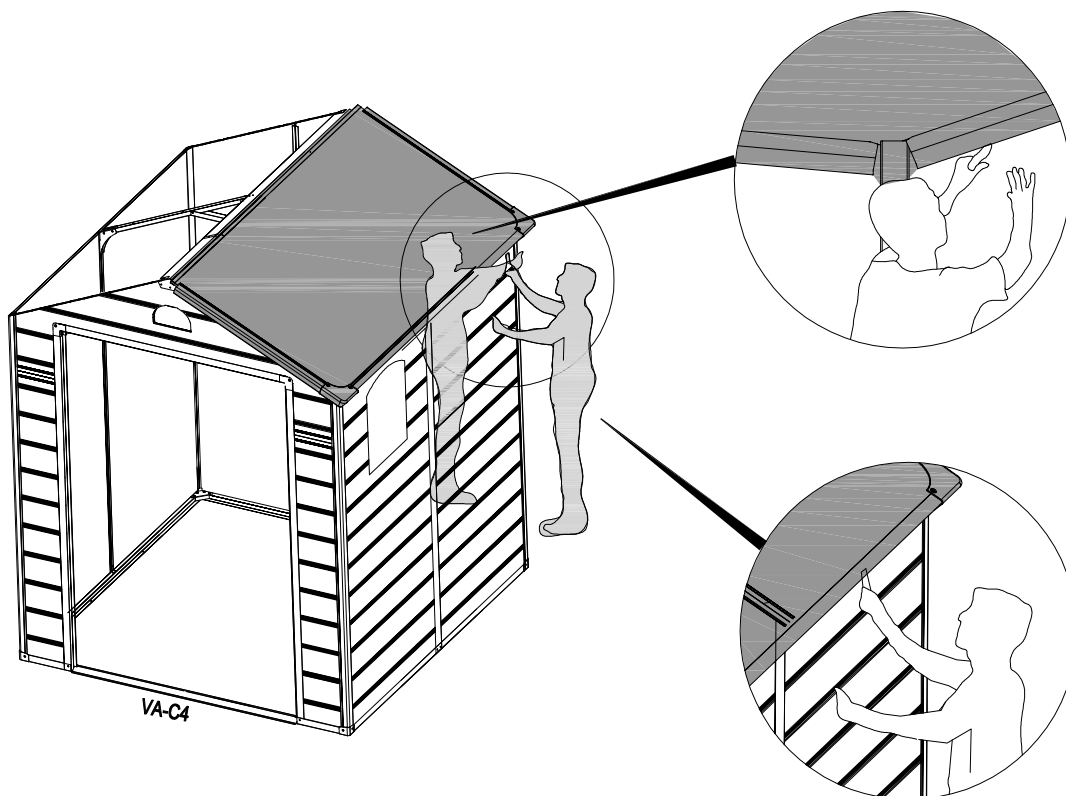
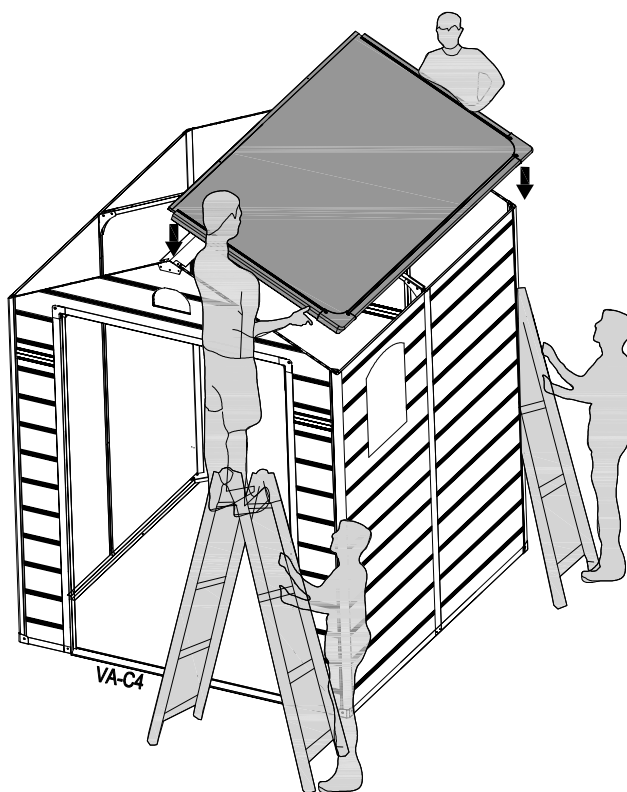
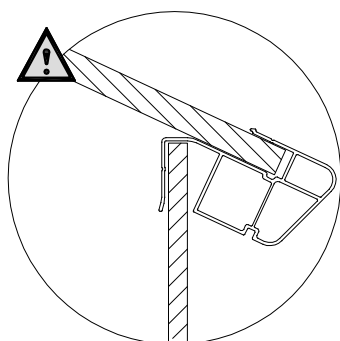
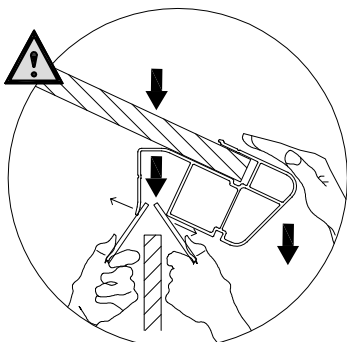
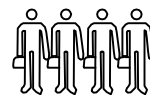
VA-D44 [x8]
13mm



CN-A33



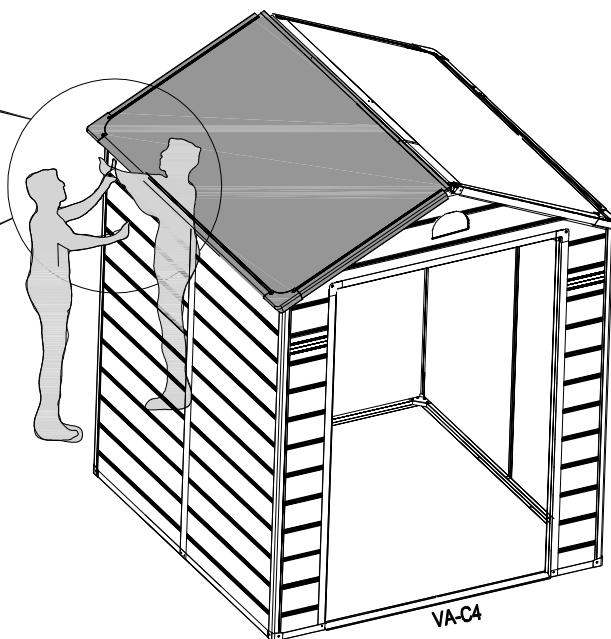
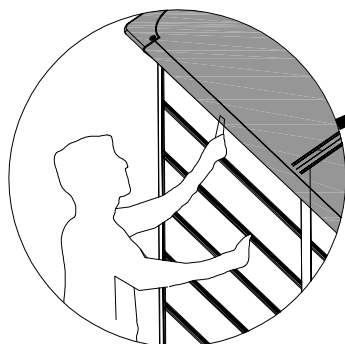
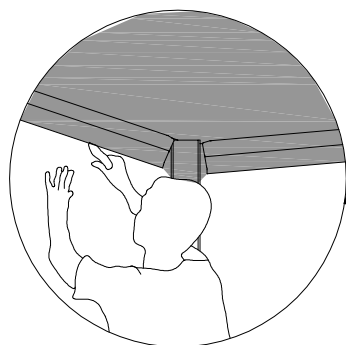
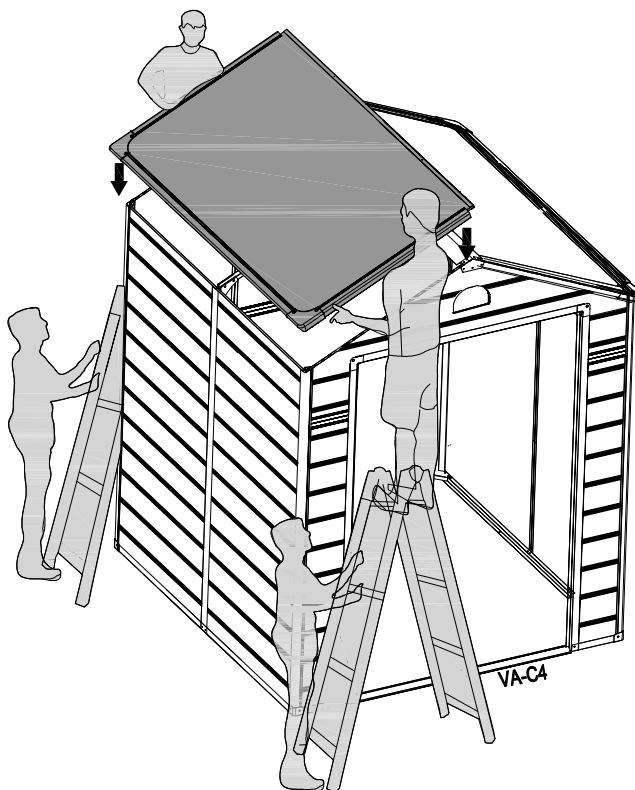
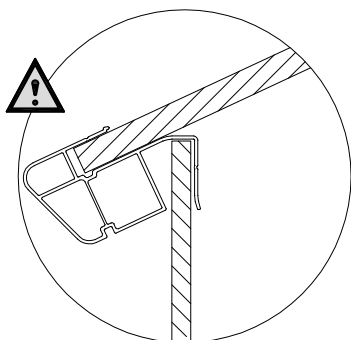
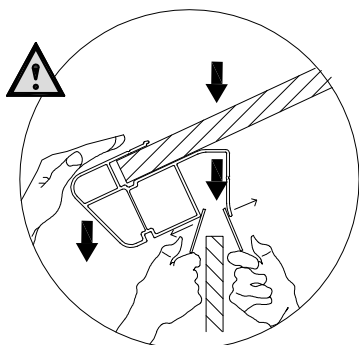
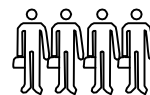
20



30



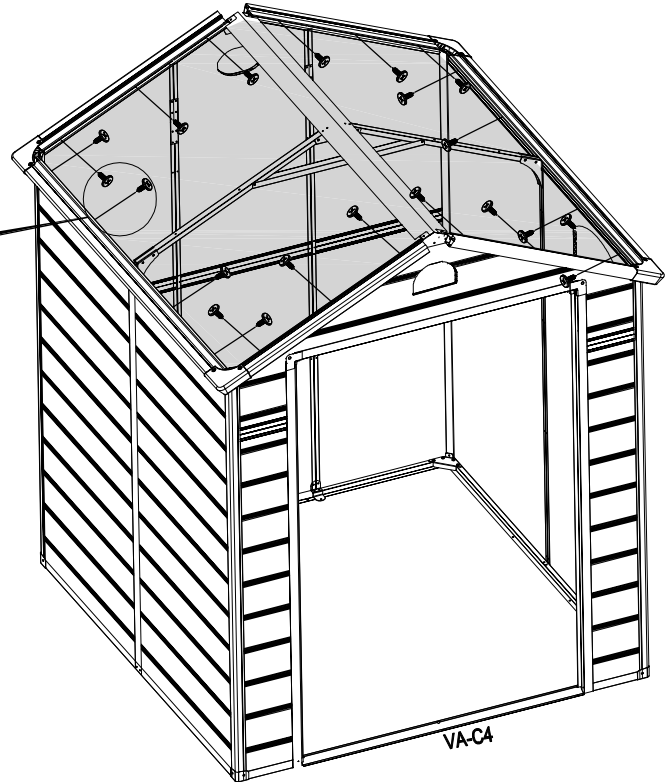
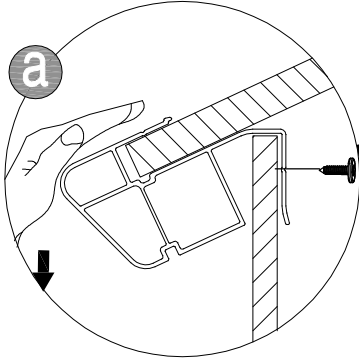
CN-A33



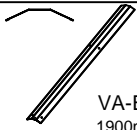
31



VA-D45 [x20]
19mm



32



VA-B24 [x1]
1900mm



PPX4 [x2]



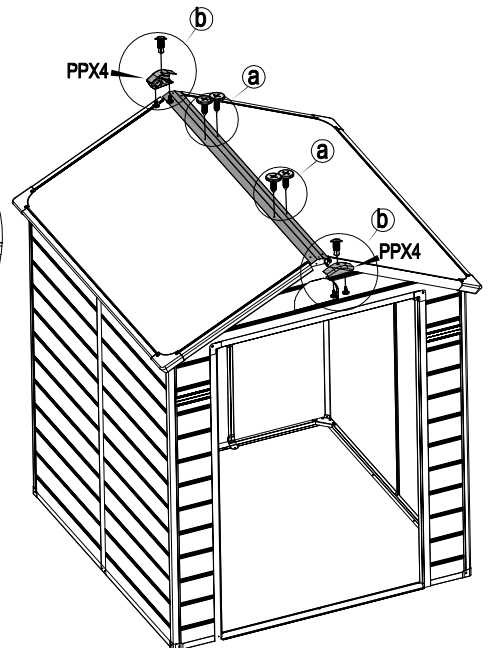
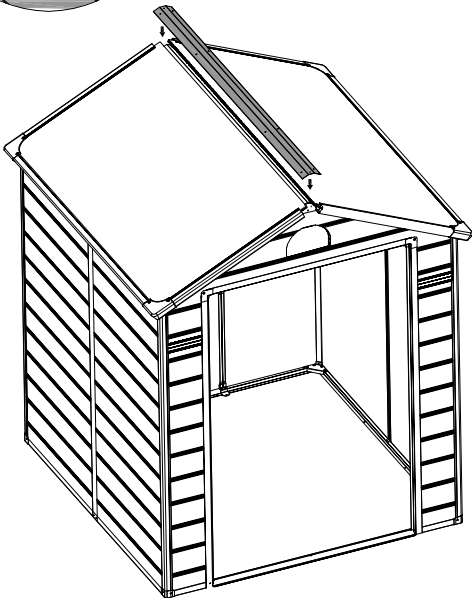
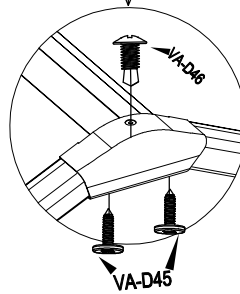
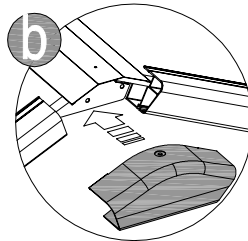
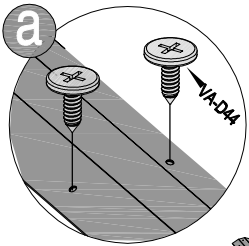
VA-D45 [x4]
19mm



VA-D44 [x4]
13mm



VA-D46 [x2]
13mm

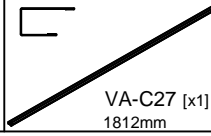


33

PB7S [x1]
1810x591mm



VA-C29 [x1]
1812mm



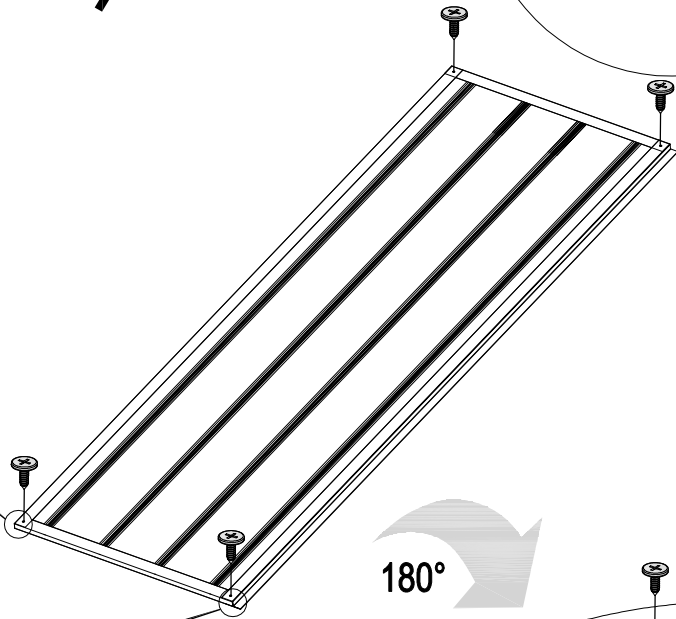
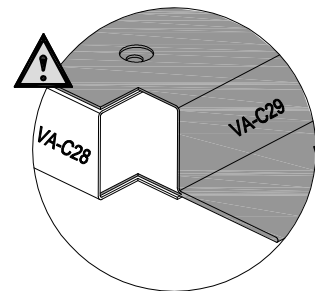
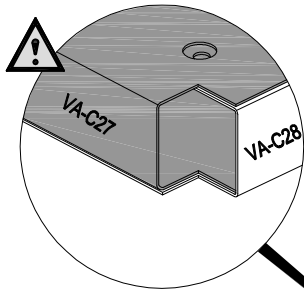
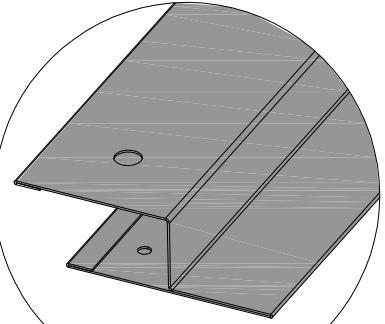
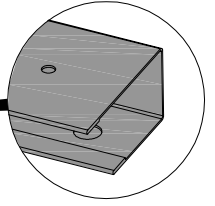
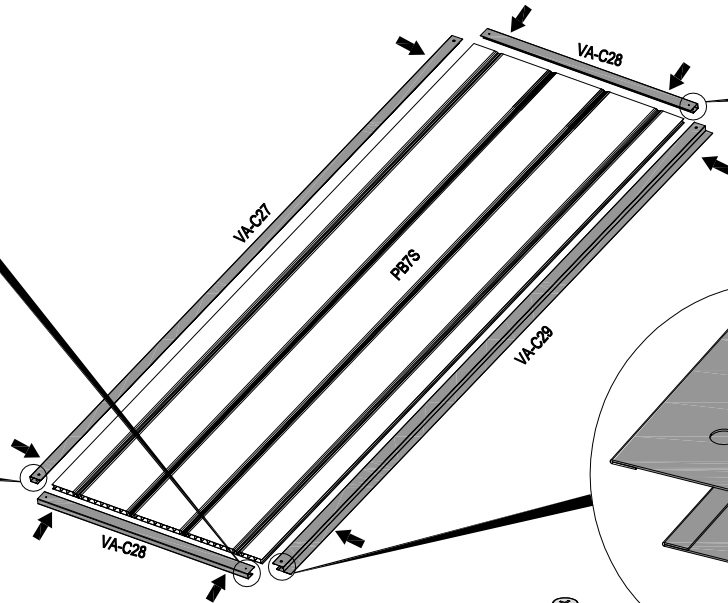
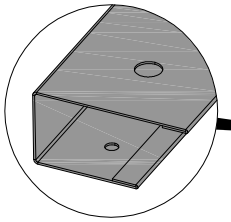
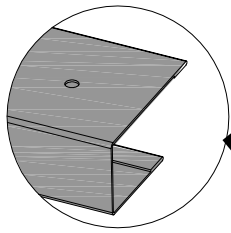
VA-C27 [x1]
1812mm



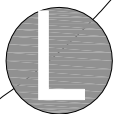
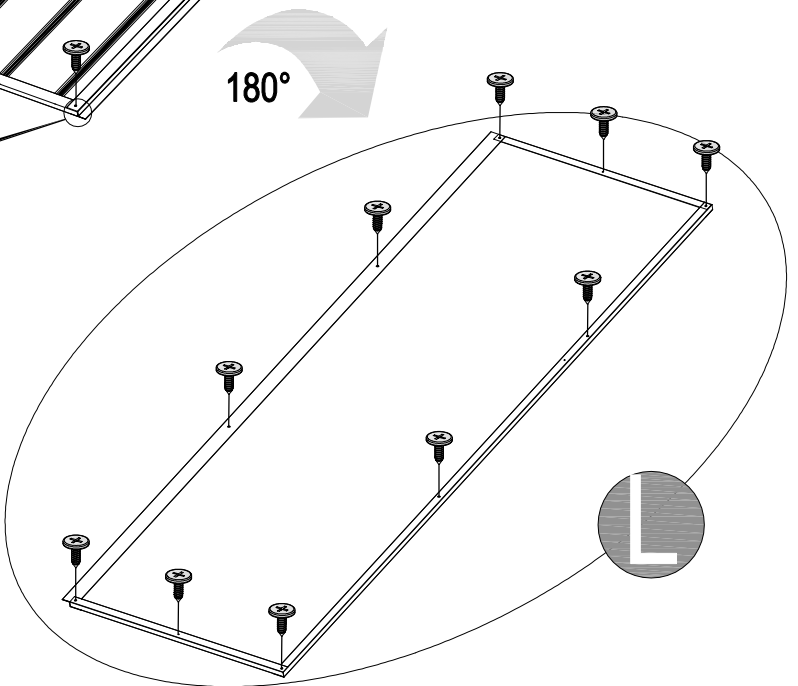
VA-C28 [x2]
592mm



VA-D44 [x14]
13mm

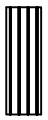


180°



34

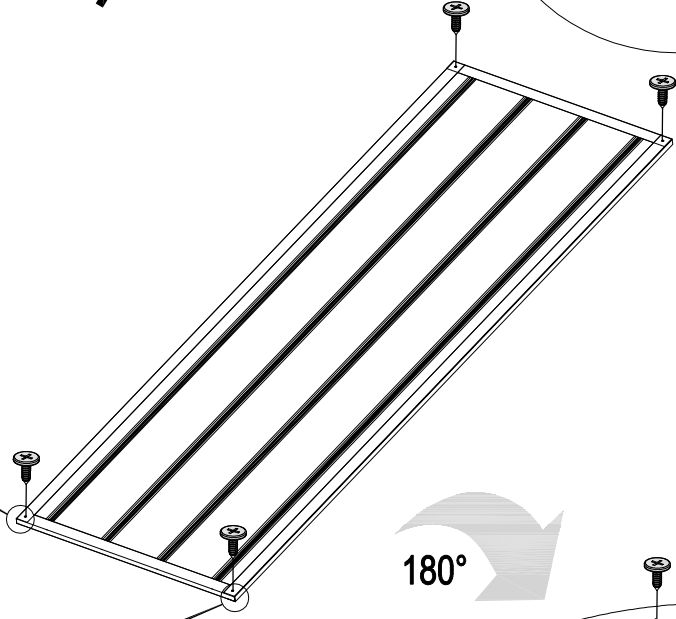
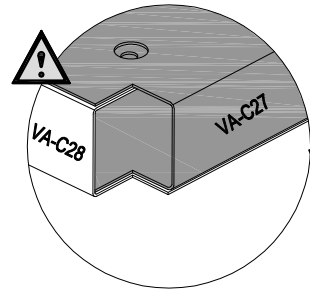
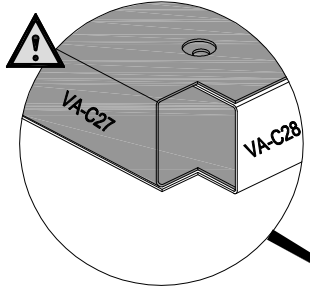
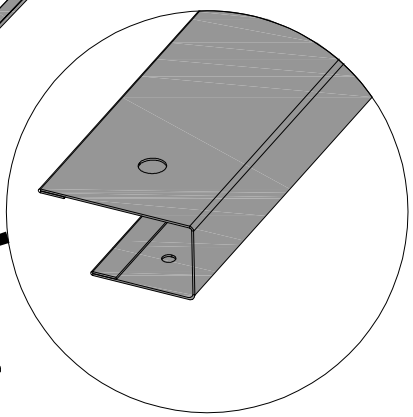
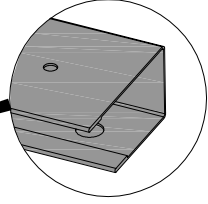
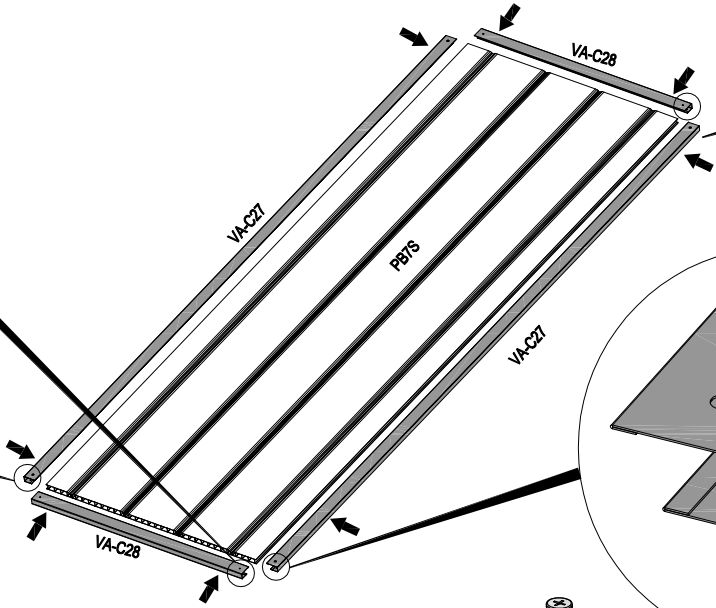
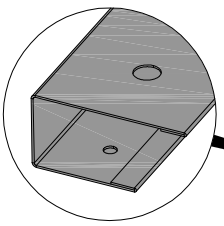
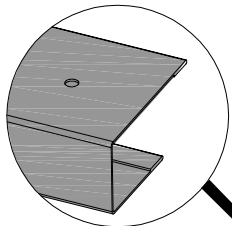
PB7S [x1]
1810x591mm



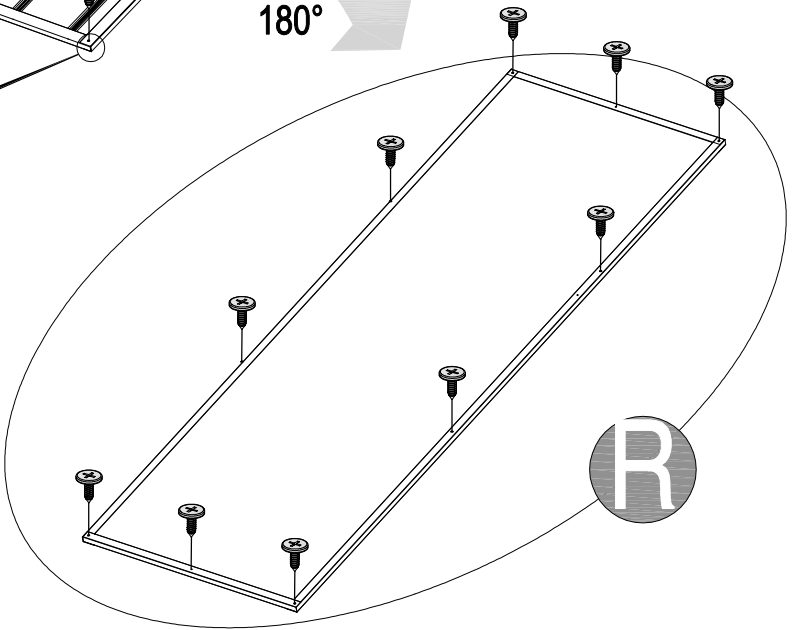
VA-C27 [x2]
1812mm

VA-C28 [x2]
592mm

VA-D44 [x14]
13mm



180°



35



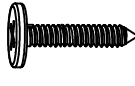
VA-41 [x4]



VA-40 [x1]



PA01 [x3]



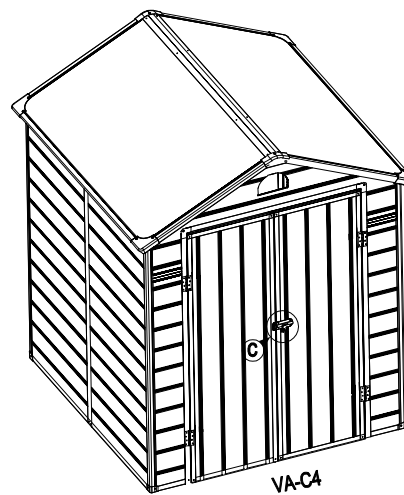
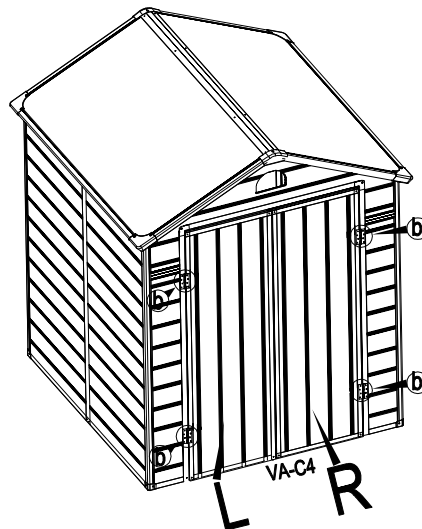
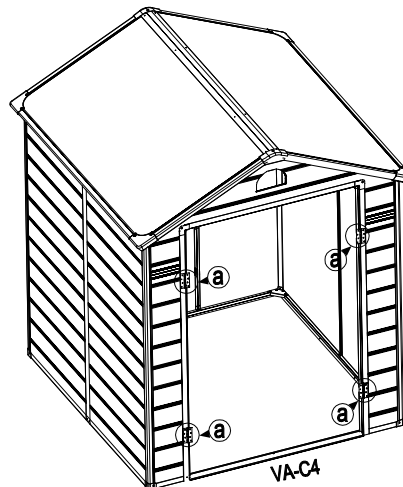
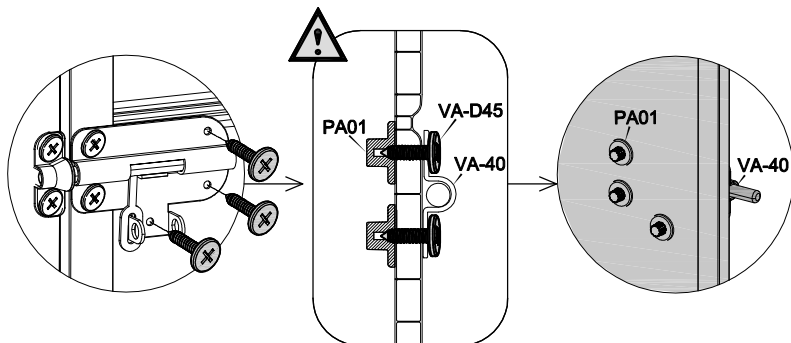
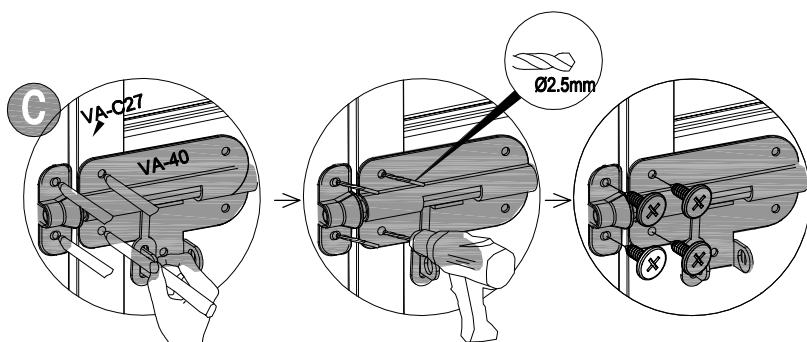
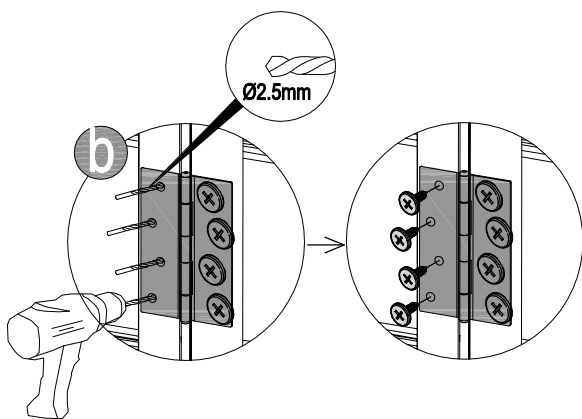
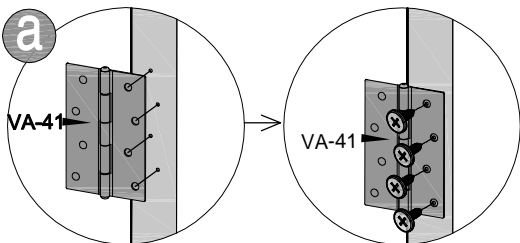
VA-D45 [x3]
19mm



VA-D44 [x36]
13mm



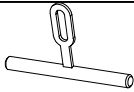
Ø2.5mm



36



VA-38a [x2]



VA-38b [x2]



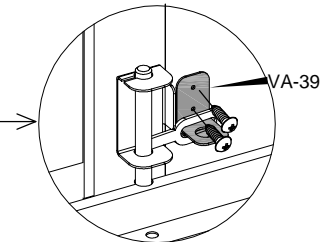
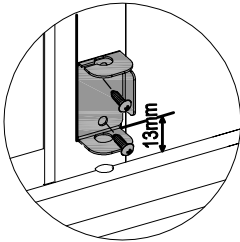
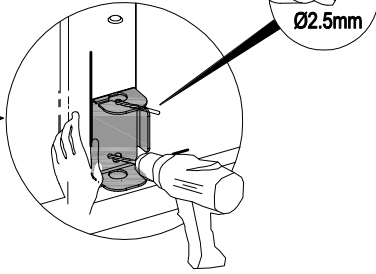
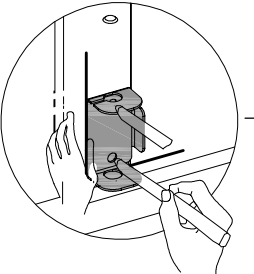
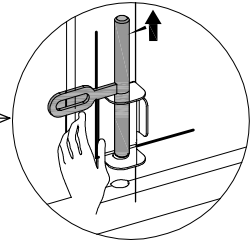
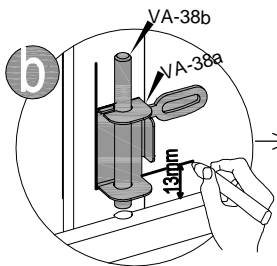
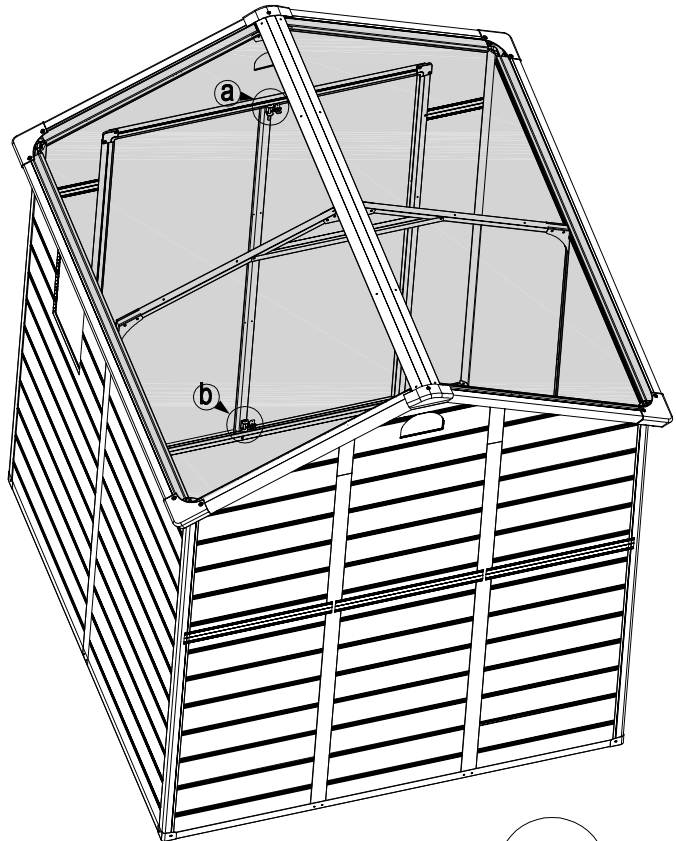
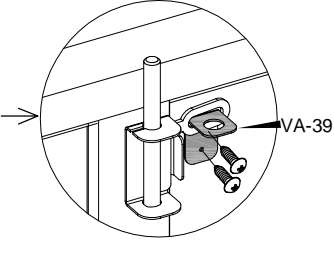
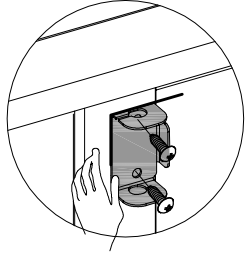
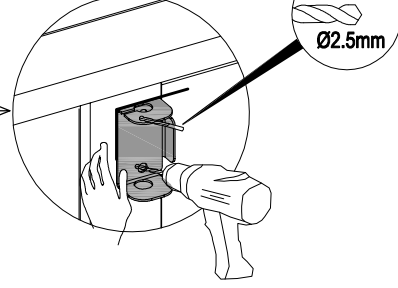
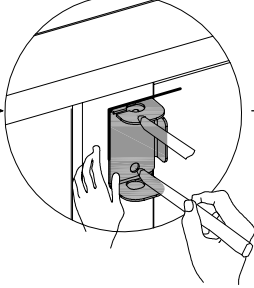
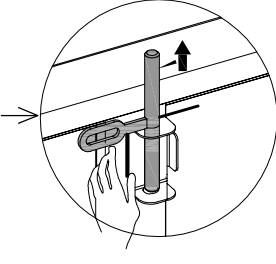
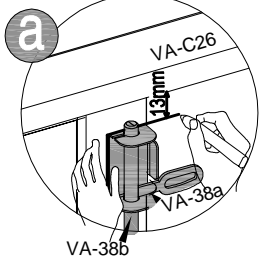
VA-39 [x2]



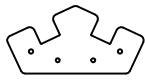
VA-D49 [x8]
13mm



Ø2.5mm



37



VA-36 [x2]



VA-32L [x2]



VA-32R [x2]



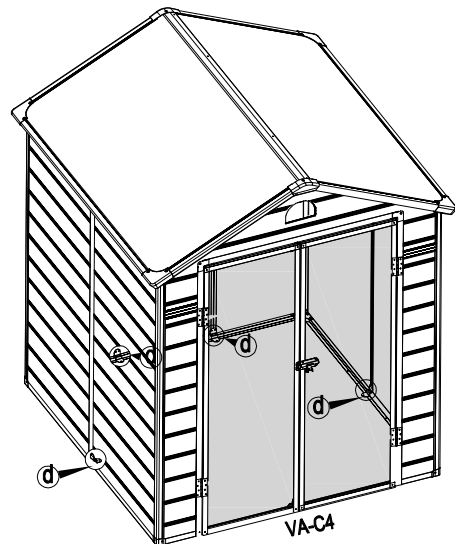
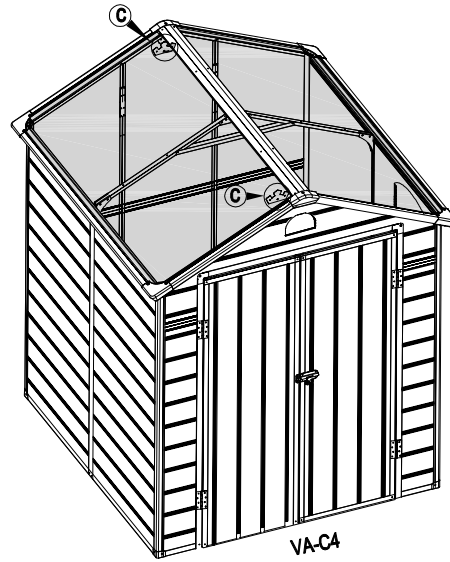
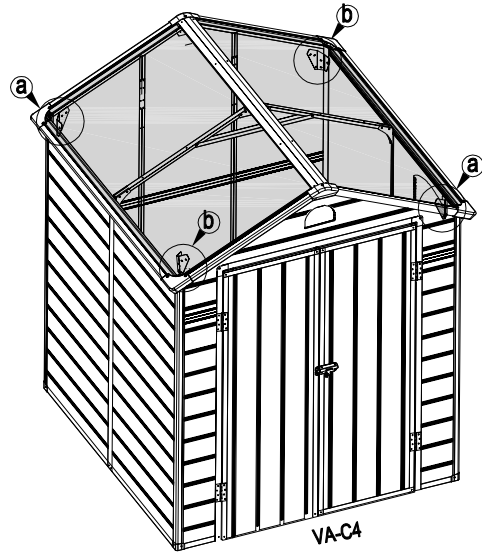
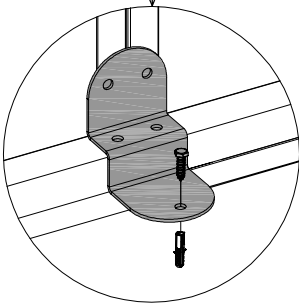
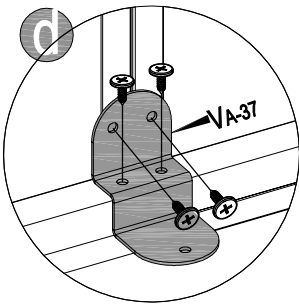
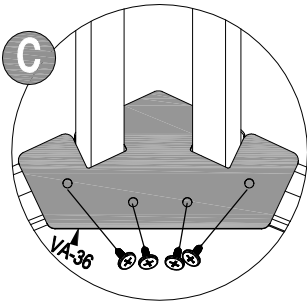
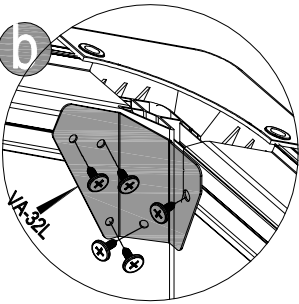
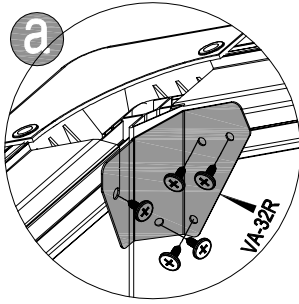
VA-37 [x4]




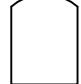





VA-D44 [x44]
13mm



VA-D48 [x4]



38	 PPX14 [x2]	 PPX12 [x1]	 PPX13 [x1]	 W2S [x1]	 VA-51 [x1]	 VA-D44 [x10] 13mm	
----	---	---	---	---	--	---	---

