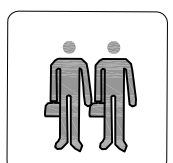
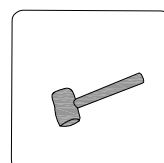
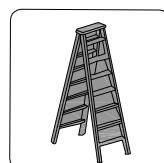
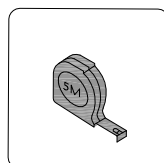
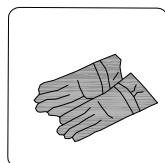
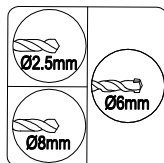
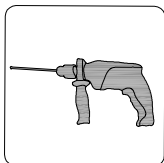
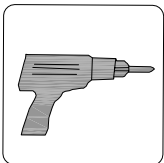
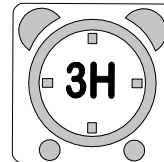
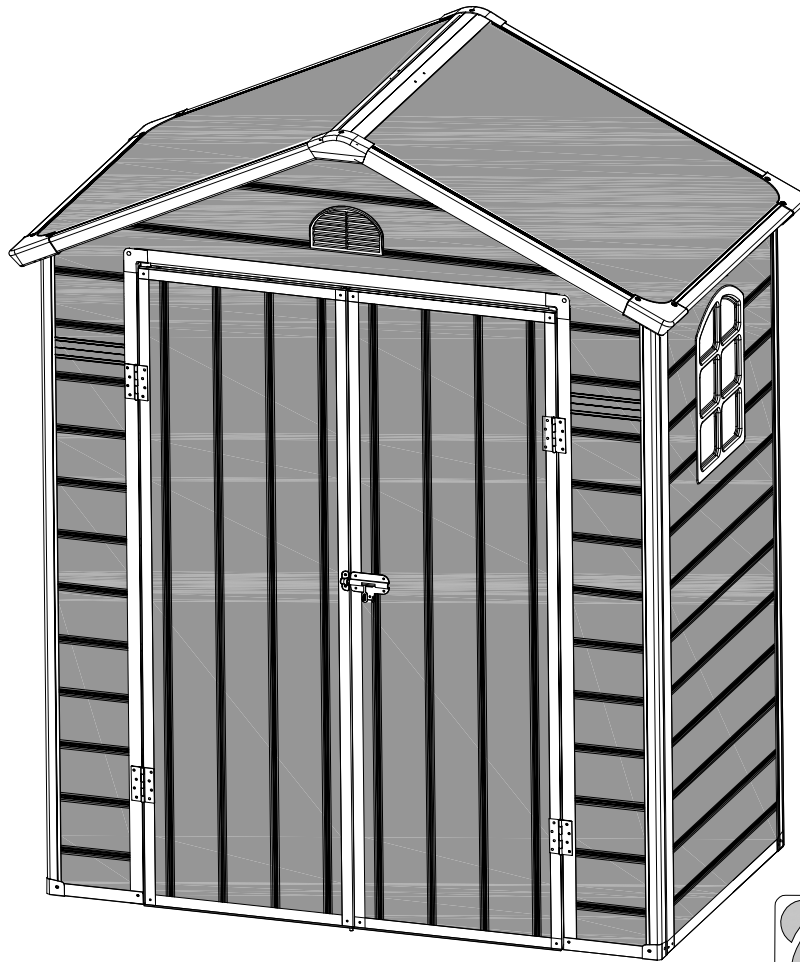




WESTMANN

MONTAGEANLEITUNG

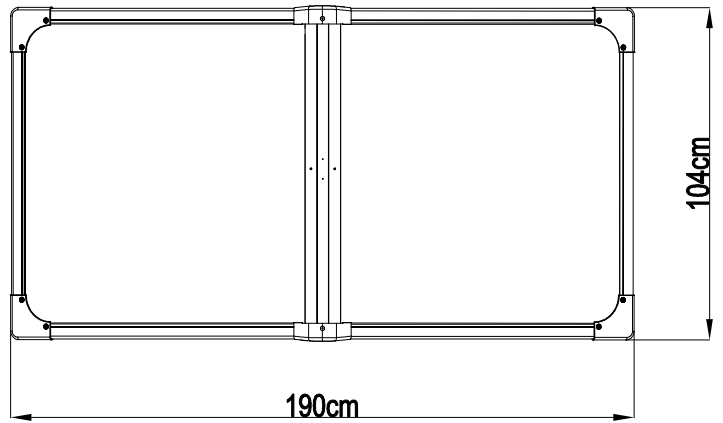
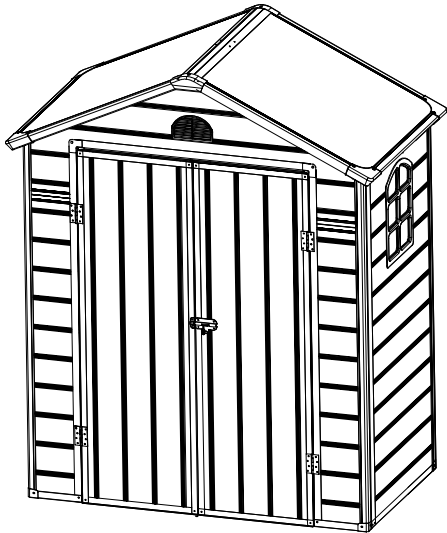
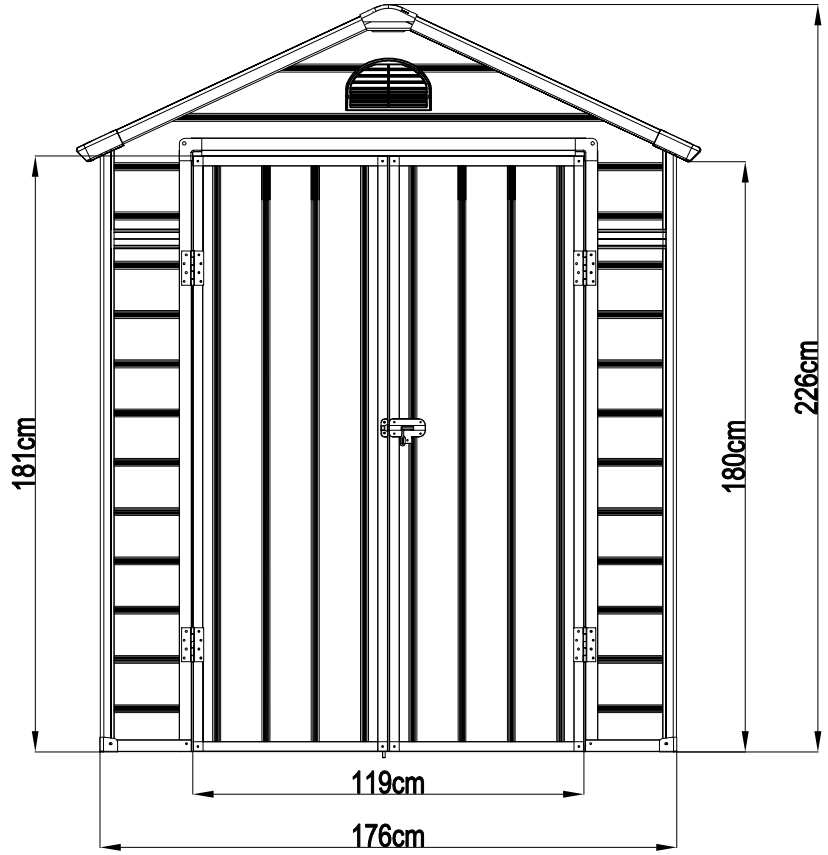
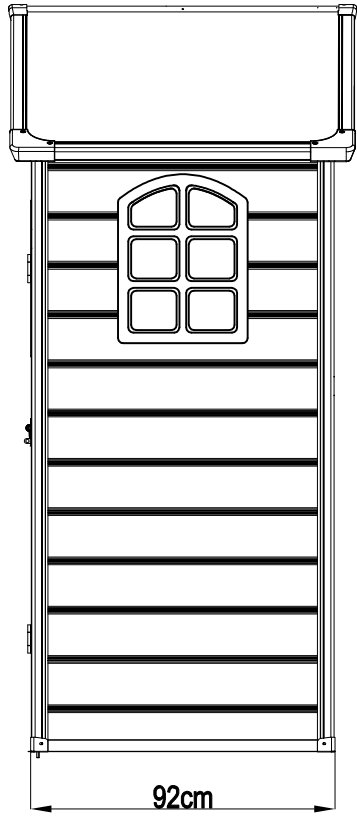
Gerätehaus

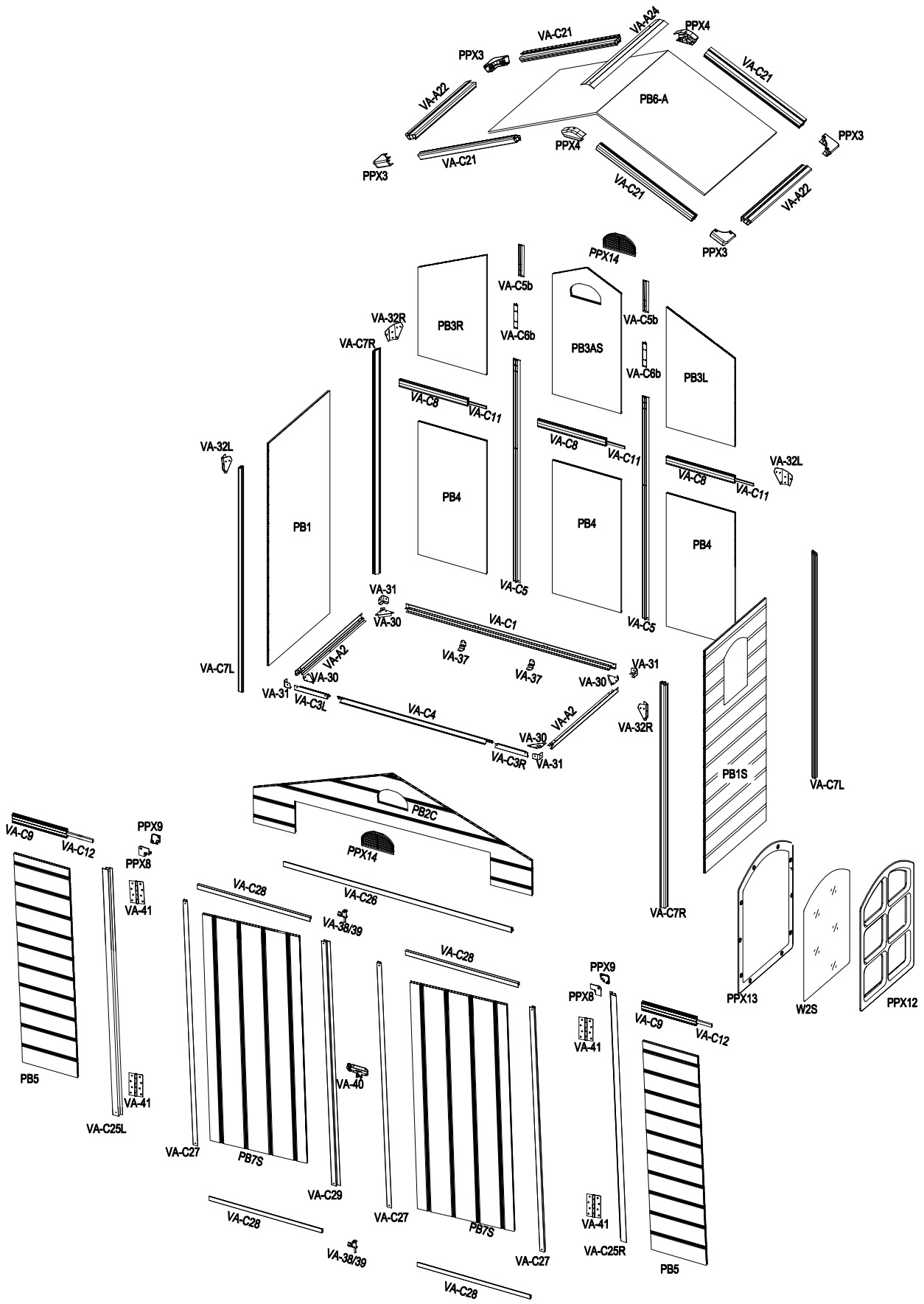


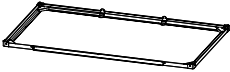

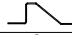











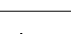

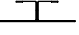



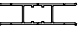





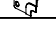
**BEI FRAGEN, KONTAKTIEREN SIE
UNSEREN KUNDENSERVICE:**


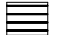
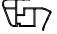
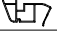




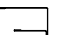
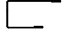



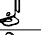
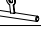







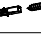



50NRTH GmbH
Straßburgstraße 14-16
D-54516 Wittlich






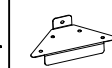
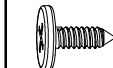
service@50NRTH.com
+49 (0) 6571 95117-0

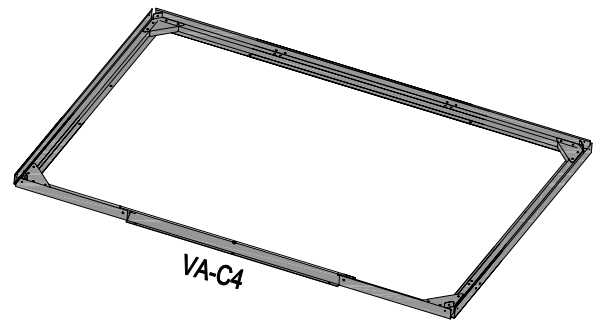
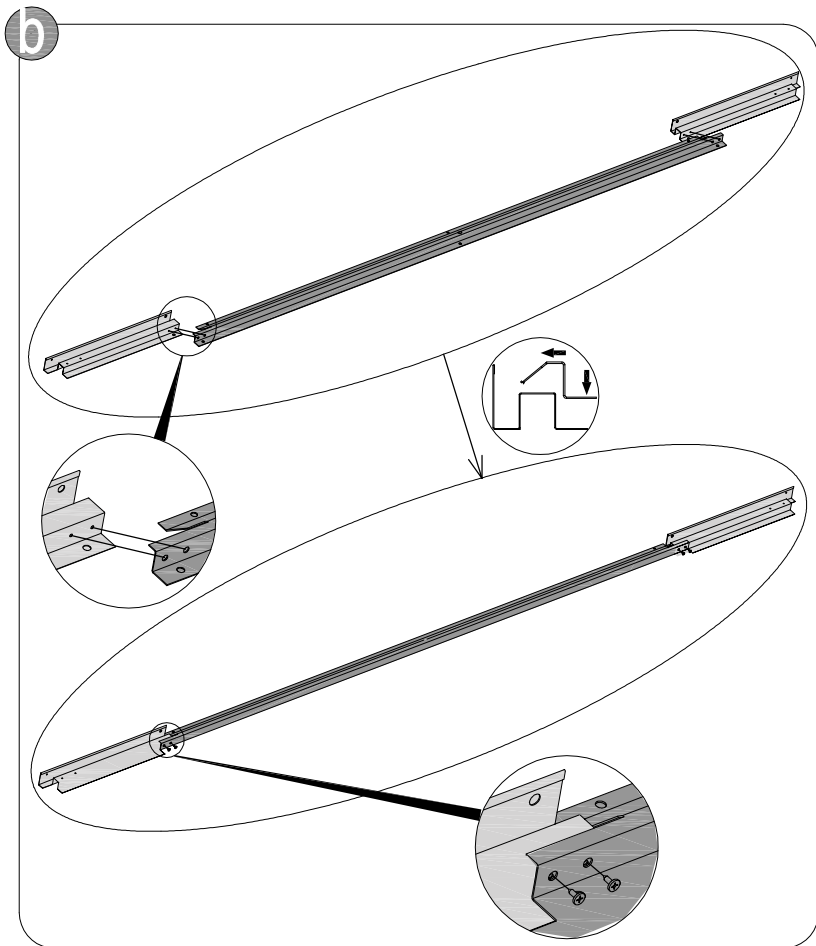
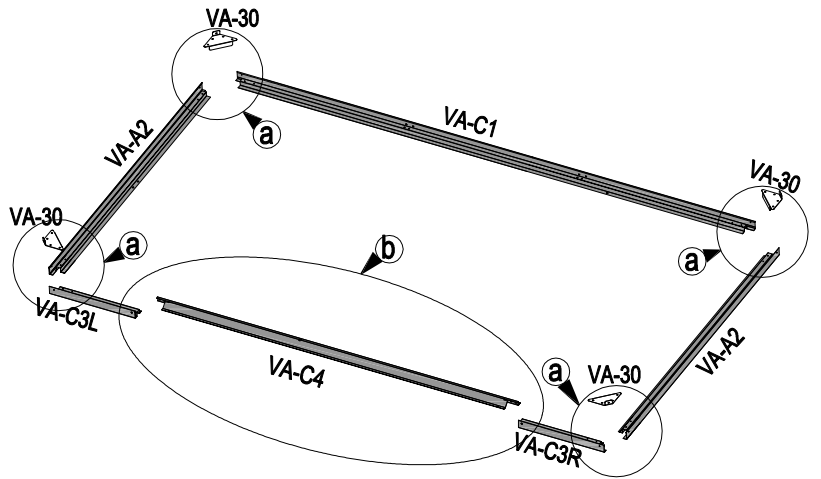
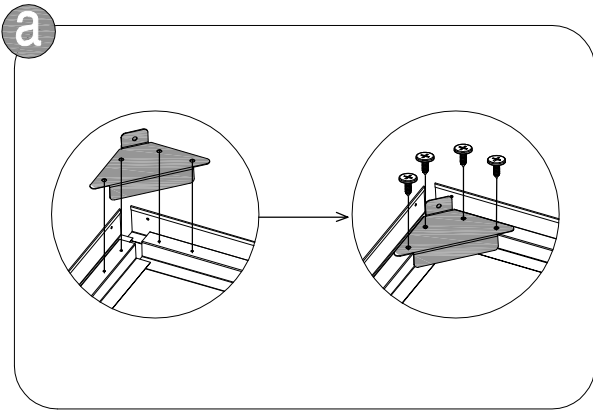




				
VA-C1		1735mm	x1	1/1
VA-A2		900mm	x2	1/1
VA-C3R		267mm	x1	1/1
VA-C3L		267mm	x1	1/1
VA-C4		1278mm	x1	1/1
VA-30			x4	1/1
VA-31			x4	1/1
VA-37			x2	1/1
				
PB1		876x1840mm	x1	1/1
PB1S		876x1840mm	x1	1/1
PB2C		1710x676mm	x1	1/1
PB3L		566x990mm	x1	1/1
PB3R		566x990mm	x1	1/1
PB3AS		566x1125mm	x1	1/1
PB4		566x1100mm	x3	1/1
PB5		255x1548mm	x2	1/1
VA-C7R		1860mm	x2	1/1
VA-C7L		1860mm	x2	1/1
VA-C5		1840mm	x2	1/1
VA-C5b		285mm	x2	1/1
VA-C6b		200mm	x2	1/1
PPX12			x1	1/1
W2S			x1	1/1
PPX13			x1	1/1
VA-C8		562mm	x3	1/1
VA-C9		250mm	x2	1/1
VA-C11		562mm	x3	1/1
VA-C12		250mm	x2	1/1
VA-32R			x2	1/1
VA-32L			x2	1/1
PPX14			x2	1/1
PPX8			x2	1/1
PPX9			x2	1/1

				
PB6-A		985x2042mm	x1	1/1
VA-C21		900mm	x4	1/1
VA-A22		825mm	x2	1/1
VA-A24		1020mm	x1	1/1
PPX3			x4	1/1
PPX4			x2	1/1
				1/1
				
VA-C25R		1830mm	x1	1/1
VA-C25L		1830mm	x1	1/1
VA-C26		1198mm	x1	1/1
VA-C27		1812mm	x3	1/1
VA-C28		592mm	x4	1/1
VA-C29		1812mm	x1	1/1
PB7S		1810x591mm	x2	1/1
VA-41			x4	1/1
VA-38a			x2	1/1
VA-38b			x2	1/1
VA-39			x2	1/1
VA-40			x1	1/1
CN-A33			x2	1/1
PA01			x3	1/1
VA-C44		ST4.2x13mm	x176	1/1
VA-C45		ST4.2x19mm	x97	1/1
VA-C46		ST4.2x13mm	x8	1/1
VA-C47		ST4.2x19mm	x4	1/1
VA-C48		ST6.0x40mm	x9	1/1
VA-C49		ST4.2x13mm	x8	1/1
VA-51			x1	1/1

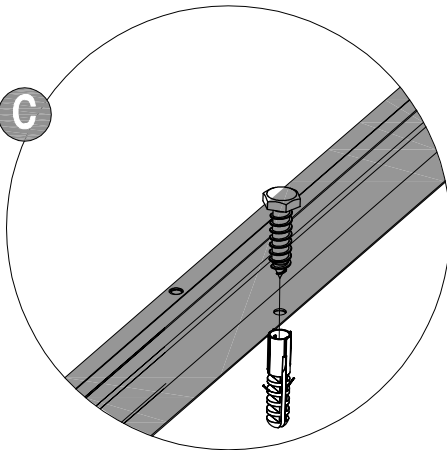
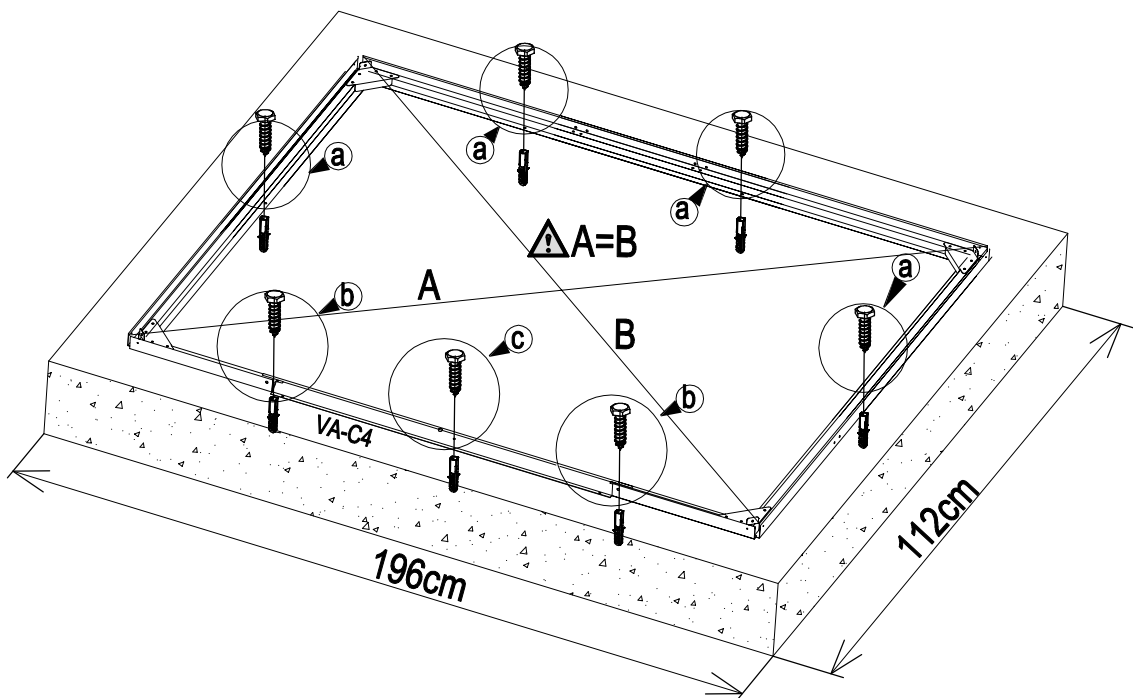
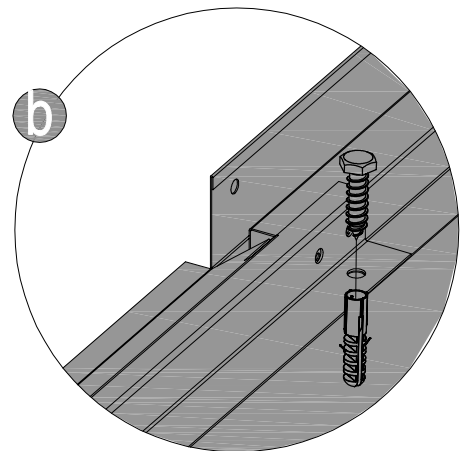
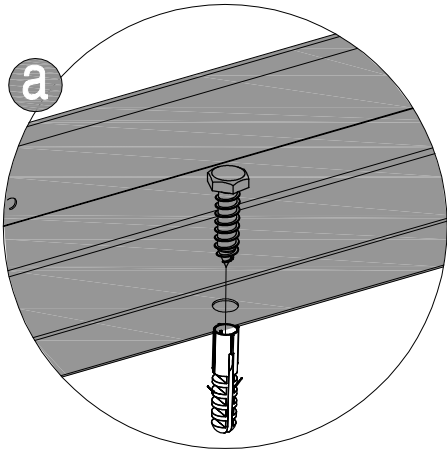
1	 VA-A2 [x2] 900mm	 VA-C1 [x1] 1735mm	 VA-C3L [x1] 267mm	 VA-C3R [x1] 267mm	 VA-C4 [x1] 1278mm	 VA-30 [x4]	 VA-C44 [x20] 13mm
----------	---	--	--	--	--	--	---



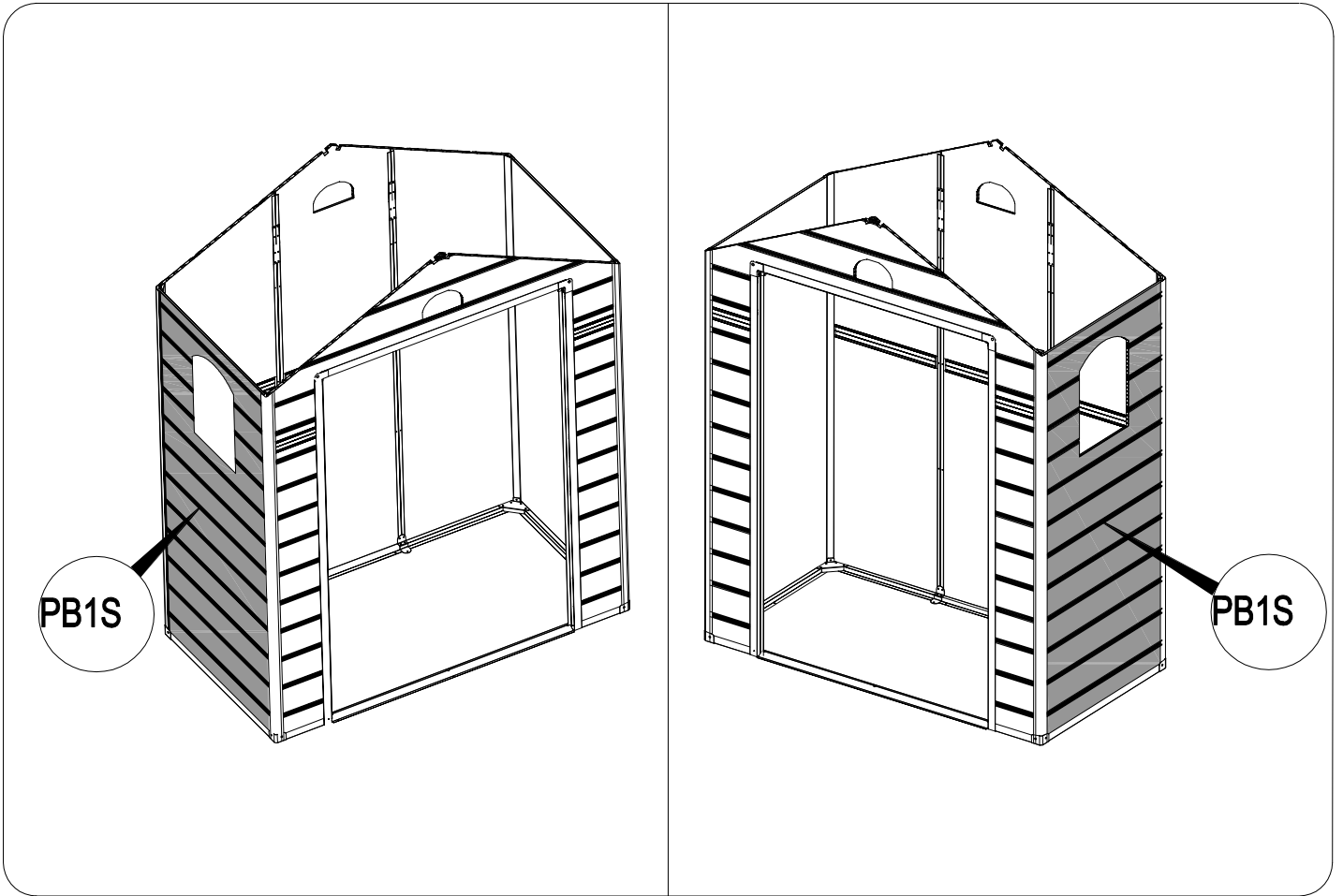
2

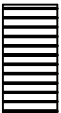





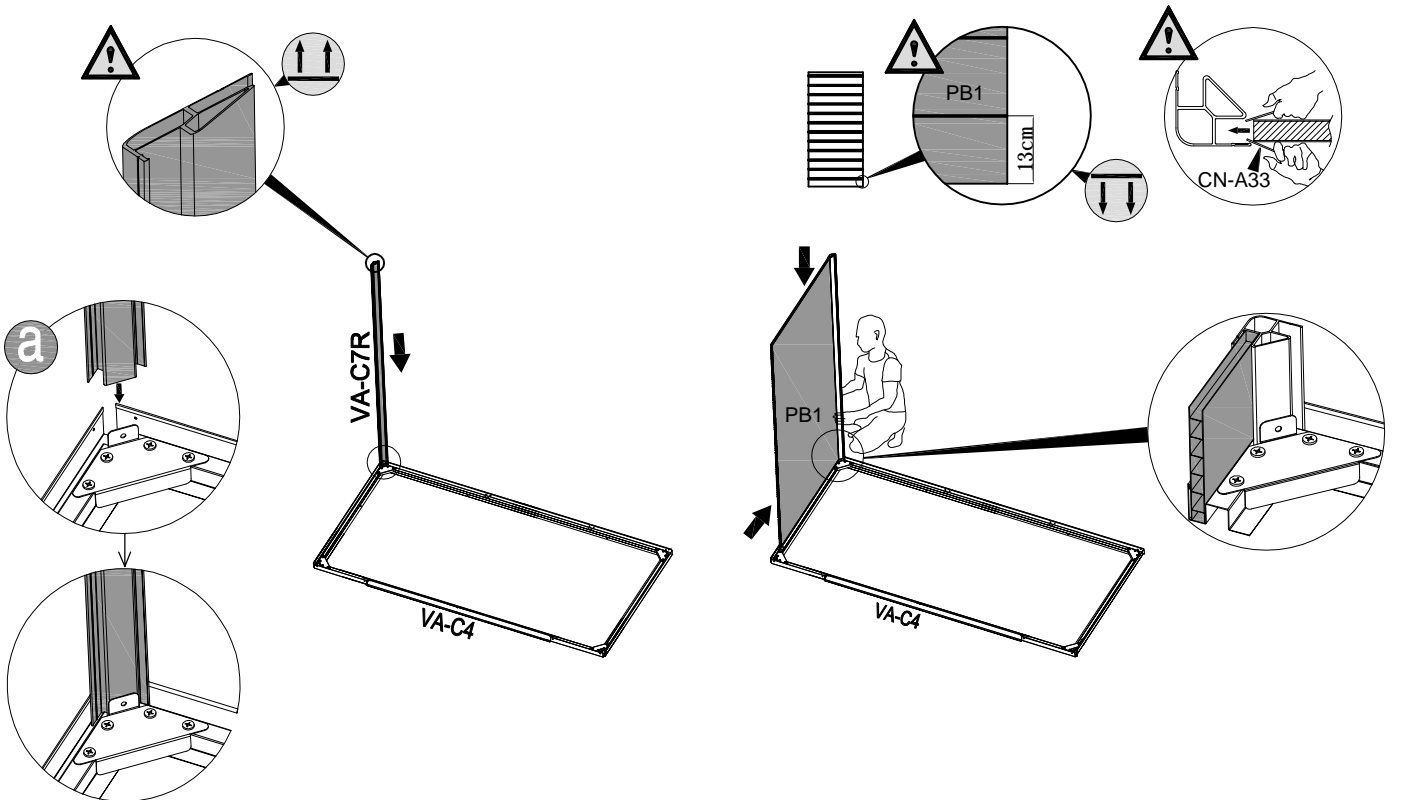
VA-C48 [x7]
40mm

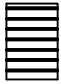


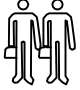


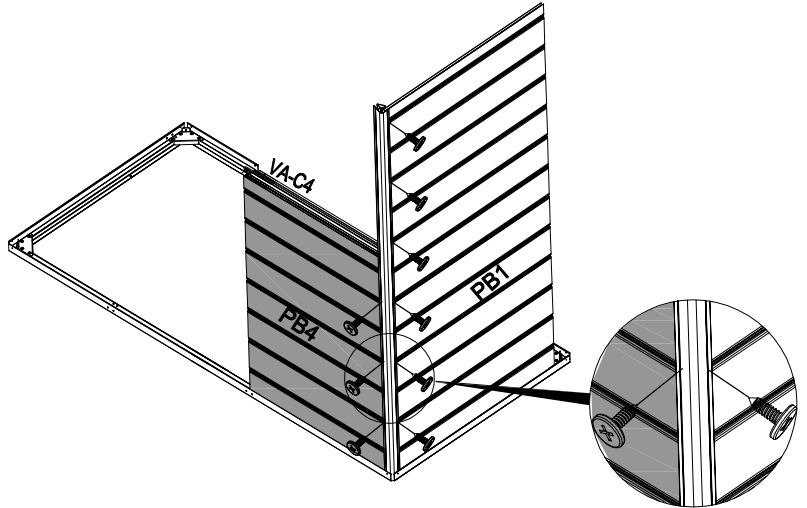
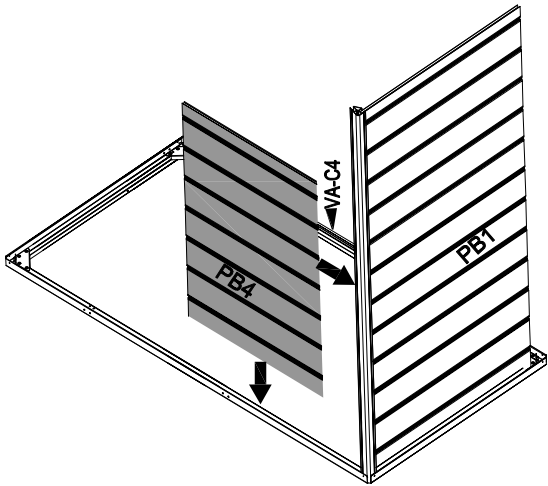
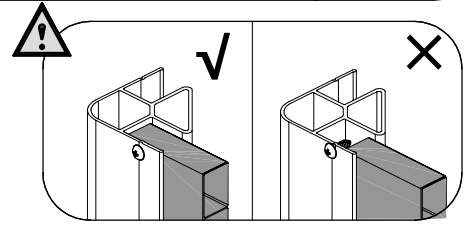
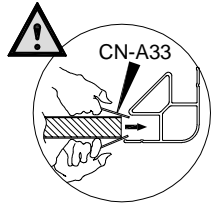
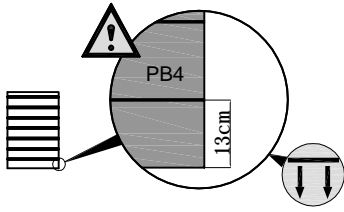
2


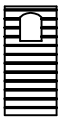

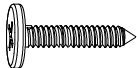




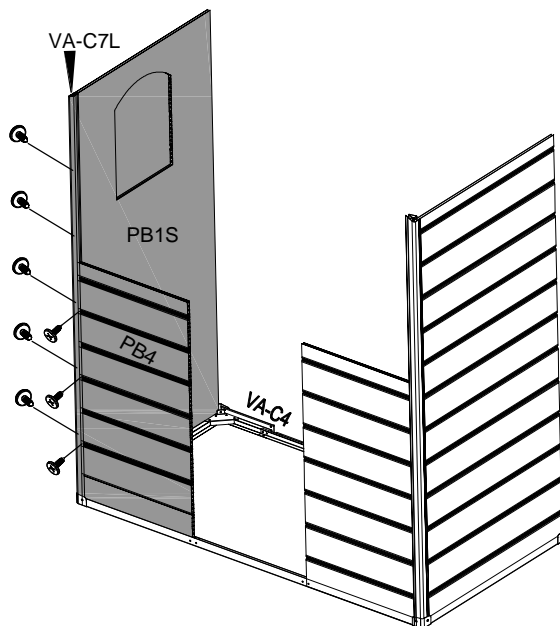
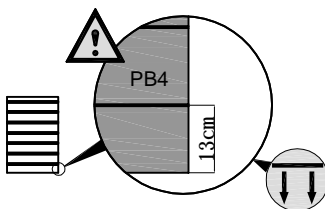
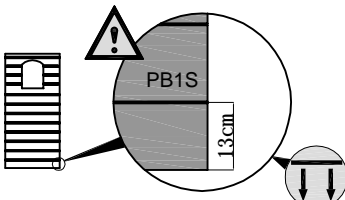
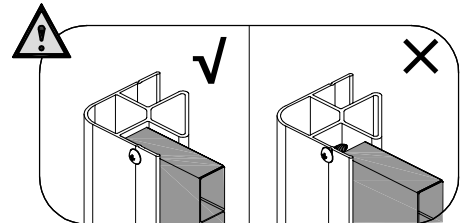
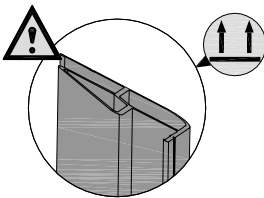
<p>3</p>	<p>PB1 [x1] 876x1840mm</p> 	<p>VA-C7R [x1] 1860mm</p> 	<p>CN-A33</p> 	
-----------------	--	---	---	---






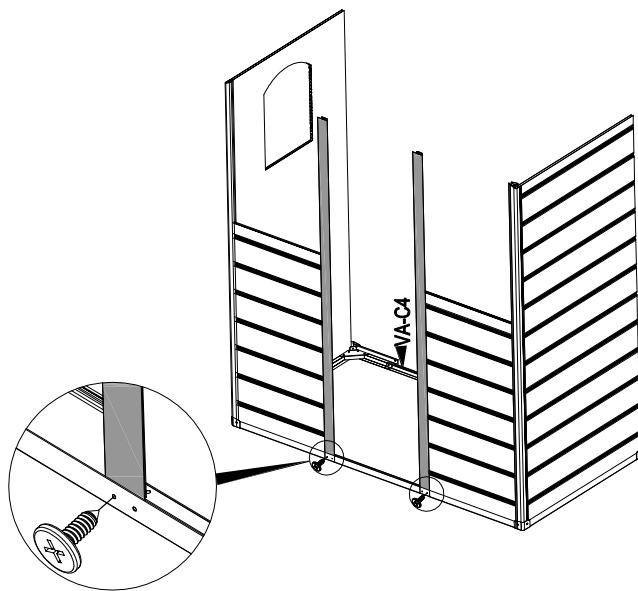
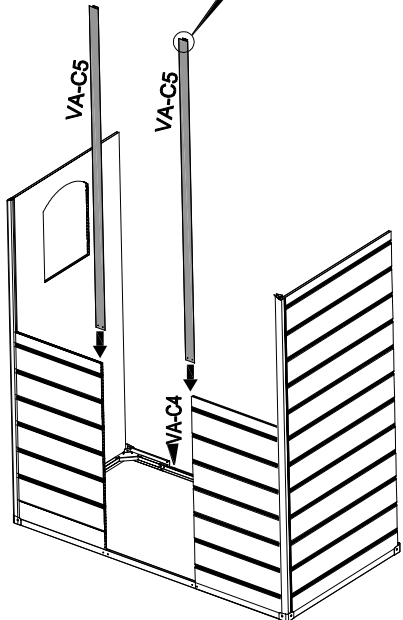
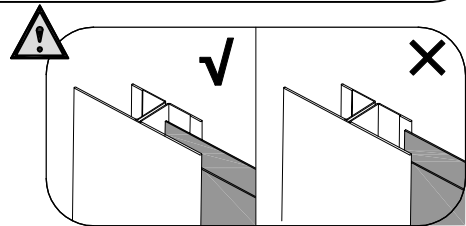
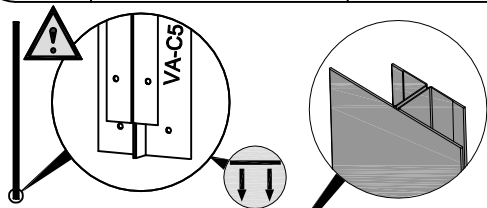
4	 PB4 [x1] 566x1100mm	 VA-C45 [x9] 19mm	 CN-A33	
----------	---	--	---	---







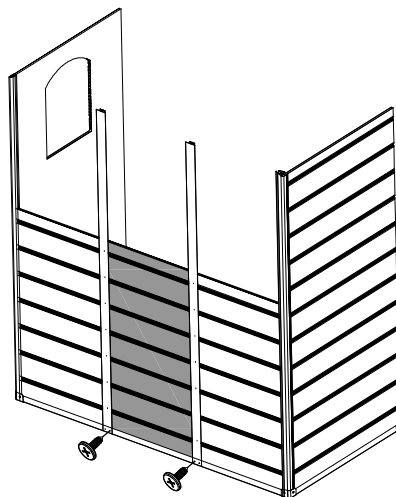
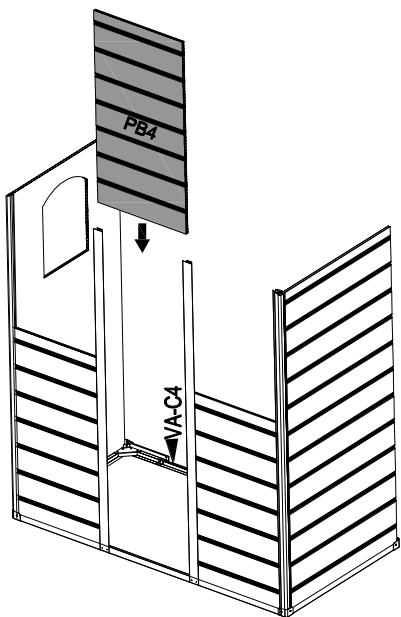
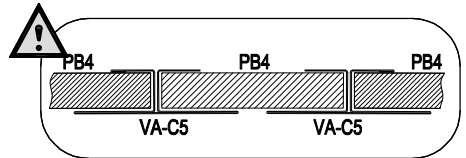
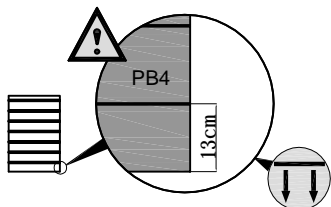
5	 VA-C7L [x1] 1860mm	 PB1S [x1] 876x1840mm	 PB4 [x1] 566x1100mm	 VA-C45 [x9] 19mm	 CN-A33	
----------	--	--	---	--	---	---





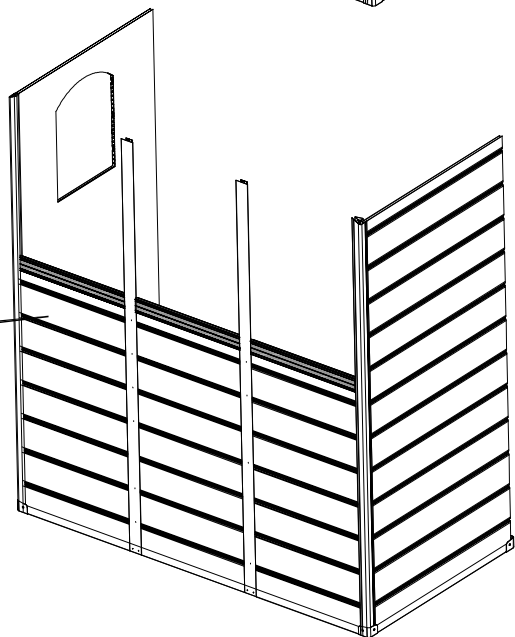
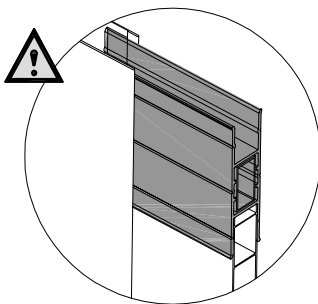
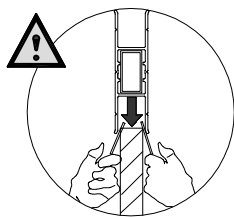
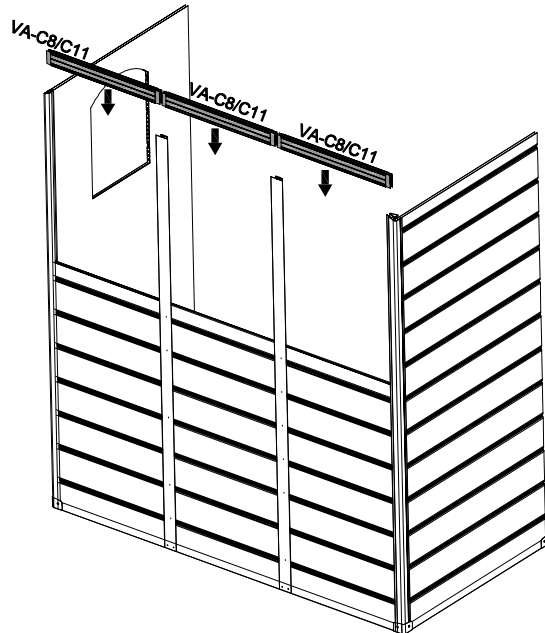
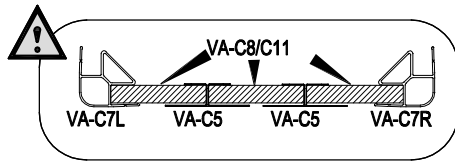
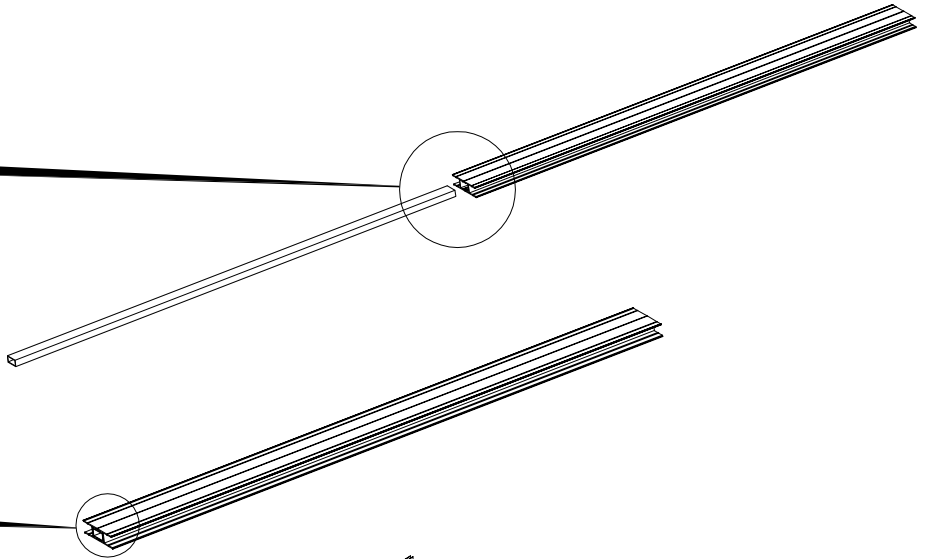
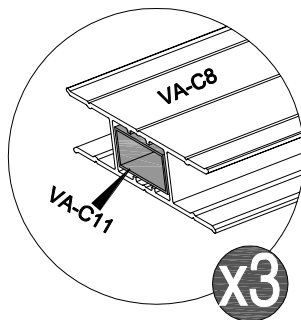
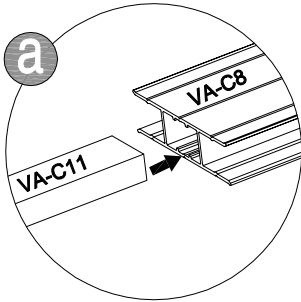
6	 VA-C5 [x2] 1840mm	 VA-C44 [x2] 13mm	 CN-A33	
----------	---	--	---	--


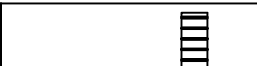
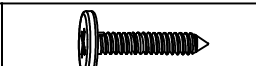

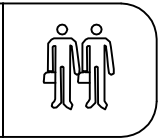


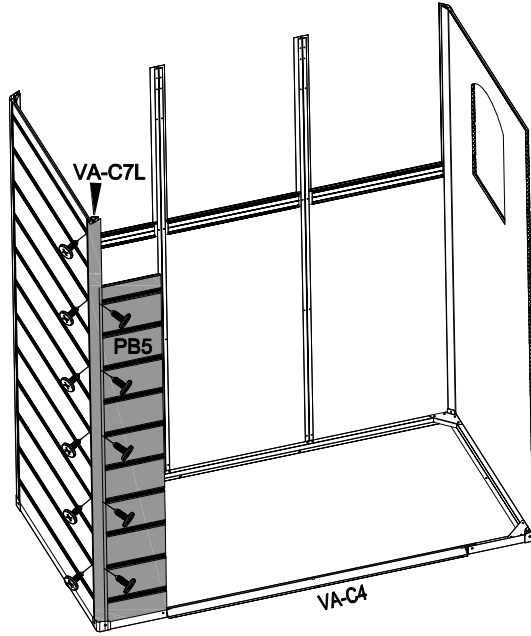
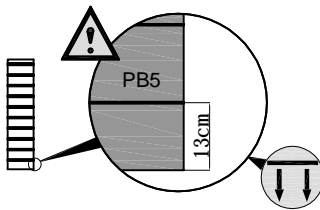
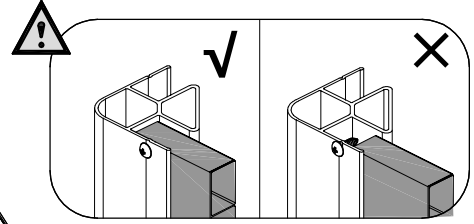
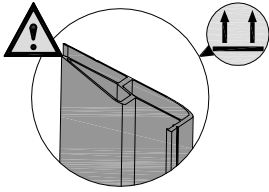
7	 PB4 [x1] 566x1100mm	 VA-C44 [x2] 13mm	 CN-A33	
----------	---	--	---	---



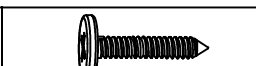

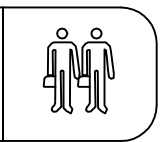


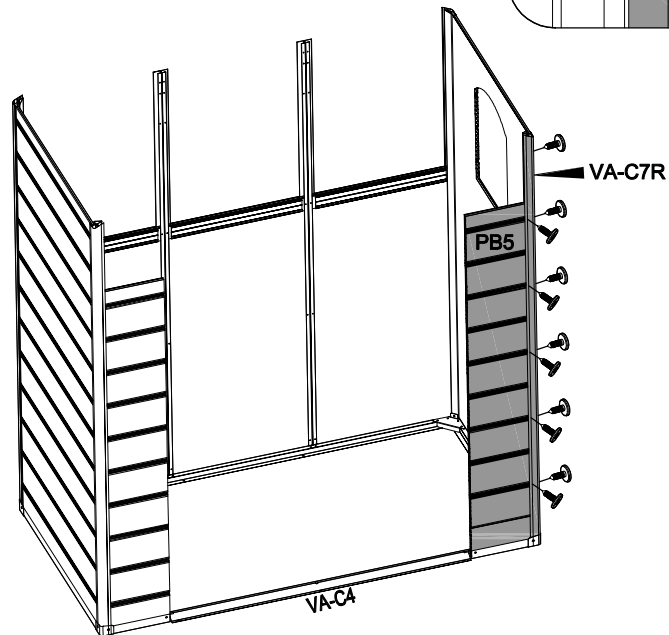
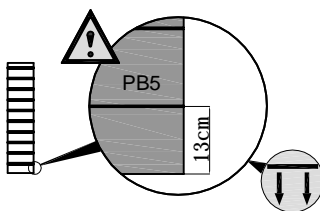
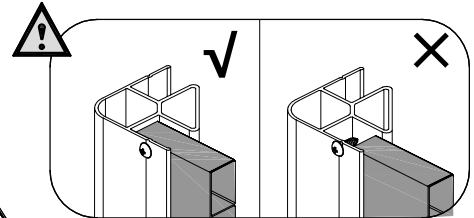
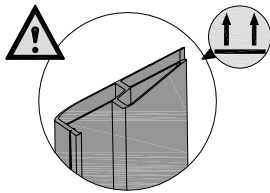
8	 VA-C8 [x3] 562mm	 VA-C11 [x3] 562mm	
----------	--	---	--



<p>9</p>	 <p>VA-C7L [x1] 1860mm</p>	 <p>PB5 [x1] 255x1548mm</p>	 <p>VA-C45 [x11] 19mm</p>	 <p>CN-A33</p>		
-----------------	---	--	--	--	--	---



<p>10</p>	 <p>VA-C7R [x1] 1860mm</p>	 <p>PB5 [x1] 255x1548mm</p>	 <p>VA-C45 [x11] 19mm</p>	 <p>CN-A33</p>		
------------------	---	--	--	--	--	---



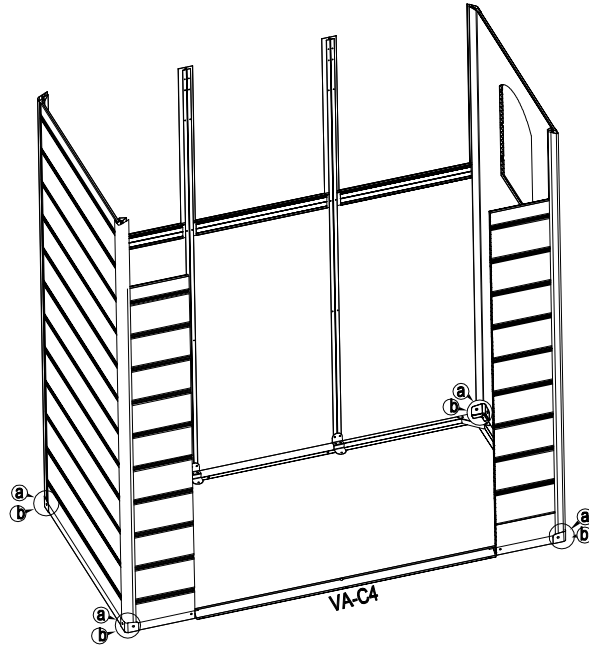
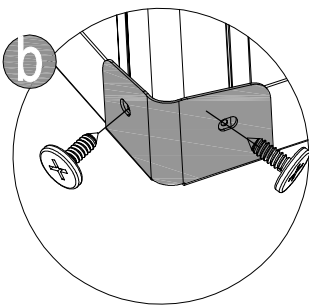
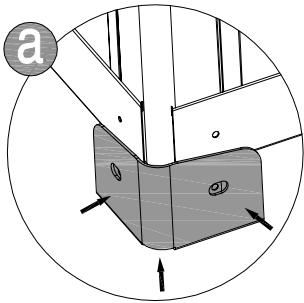
11



VA-31 [x4]



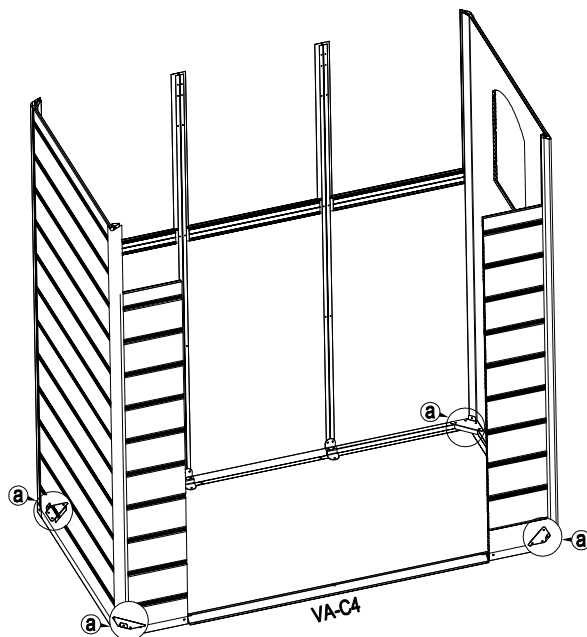
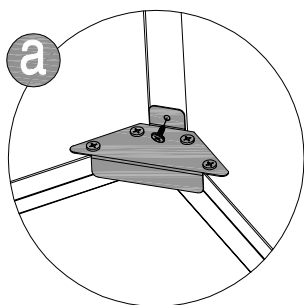
VA-C44 [x8]
13mm



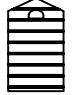





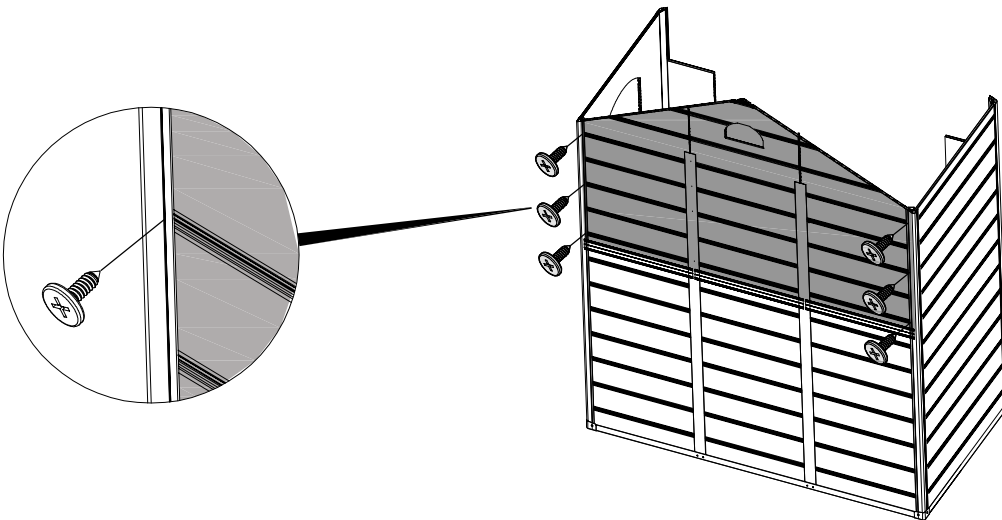
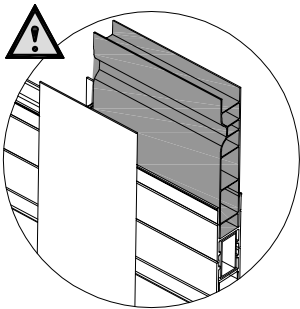
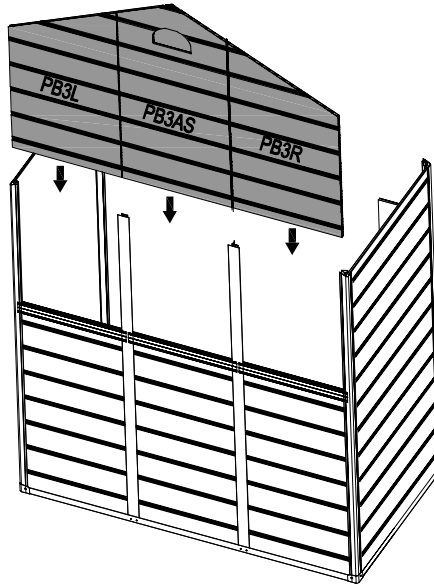
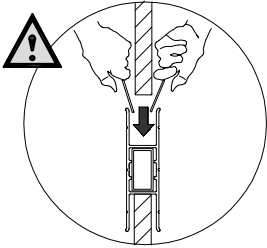
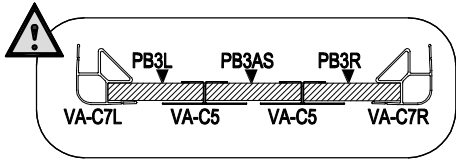
12

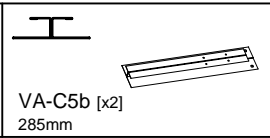
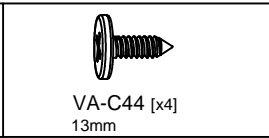



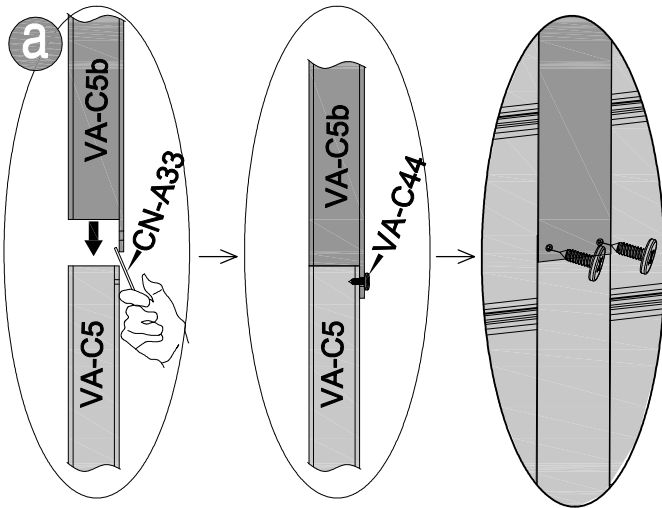
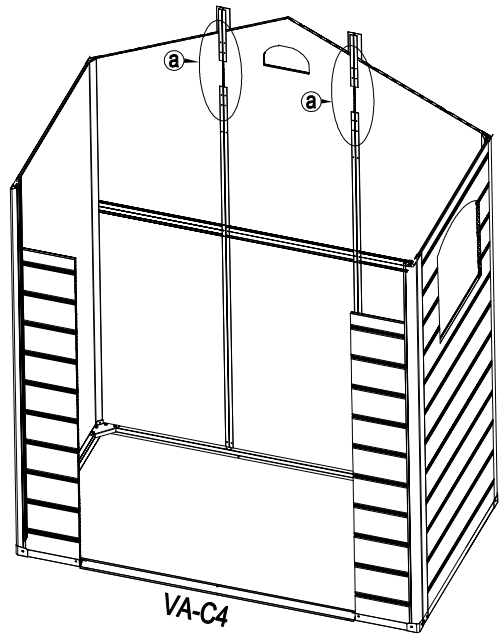
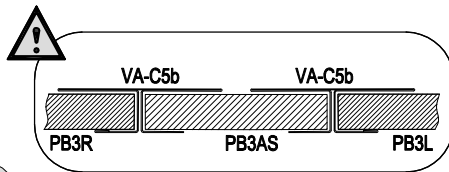
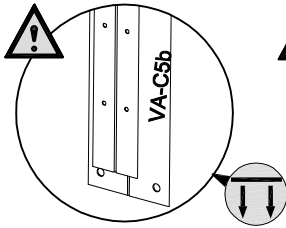
VA-C44 [x4]
13mm

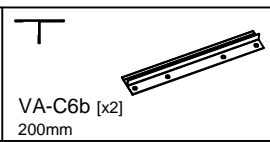


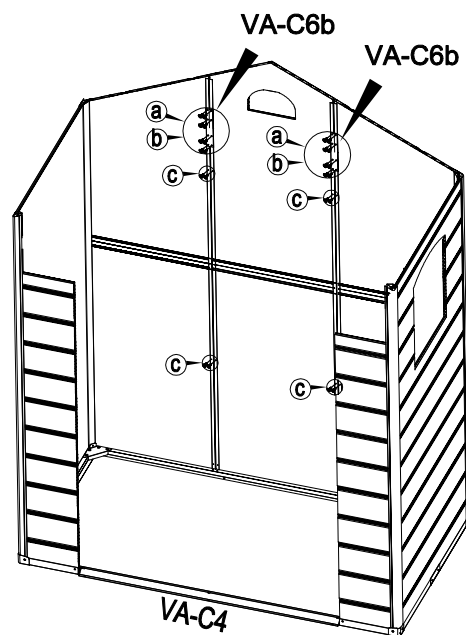
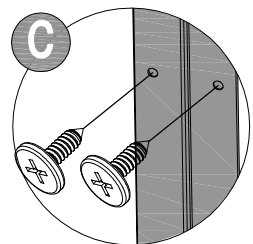
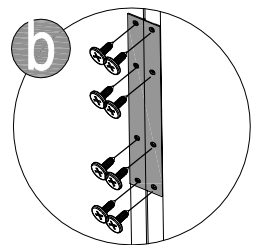
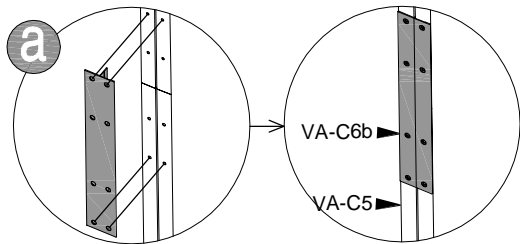
<p>13</p>	<p>PB3L [x1] 566x990mm</p> 	<p>PB3R [x1] 566x990mm</p> 	<p>PB3AS [x1] 566x1125mm</p> 	<p>VA-C45 [x6] 19mm</p> 	<p>CN-A33</p> 	
------------------	--	--	--	---	---	---




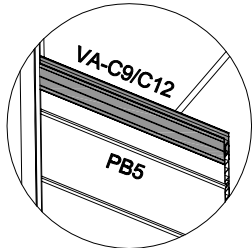
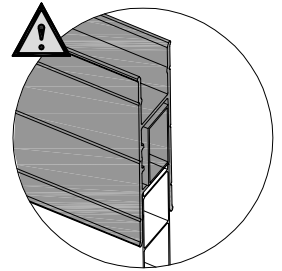
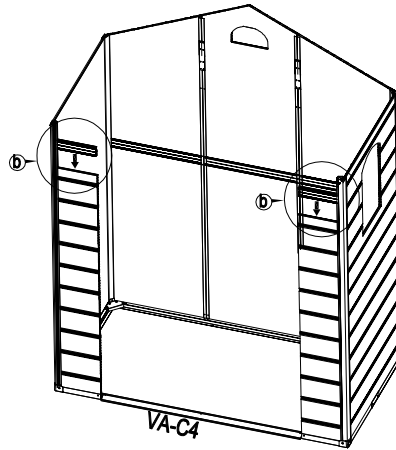
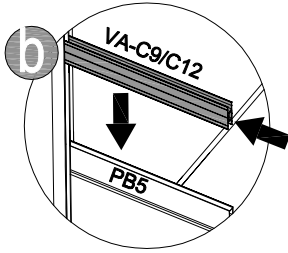
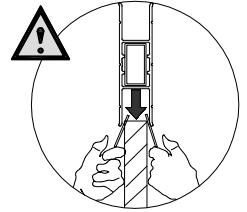
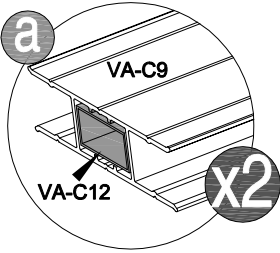
<p>14</p>	 <p>VA-C5b [x2] 285mm</p>	 <p>VA-C44 [x4] 13mm</p>	 <p>CN-A33</p>
------------------	--	---	--








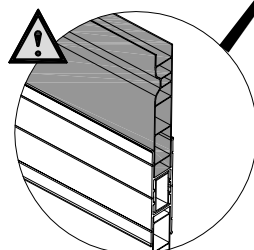
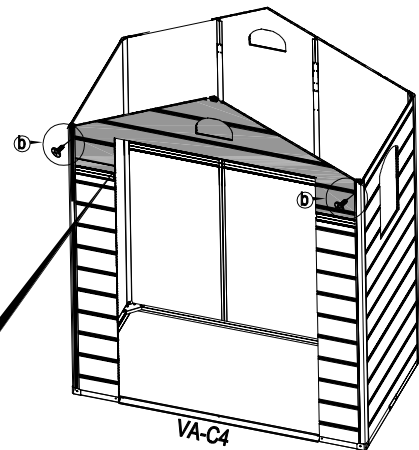
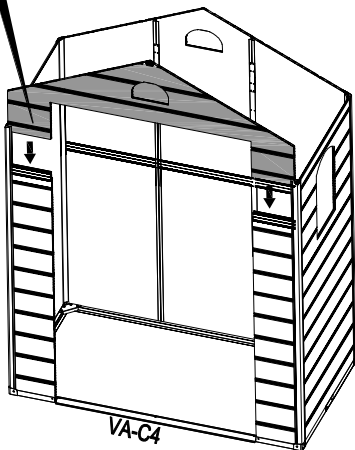
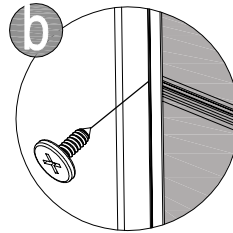
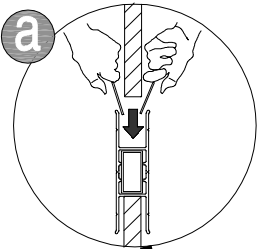
<p>15</p>	 <p>VA-C6b [x2] 200mm</p>	 <p>VA-C44 [x24] 13mm</p>	
------------------	--	--	--



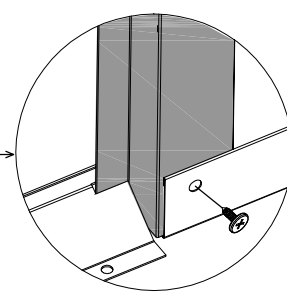
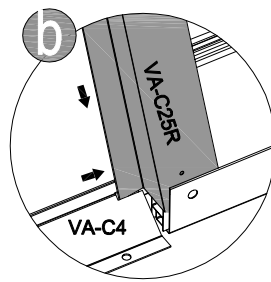
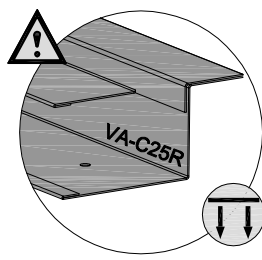
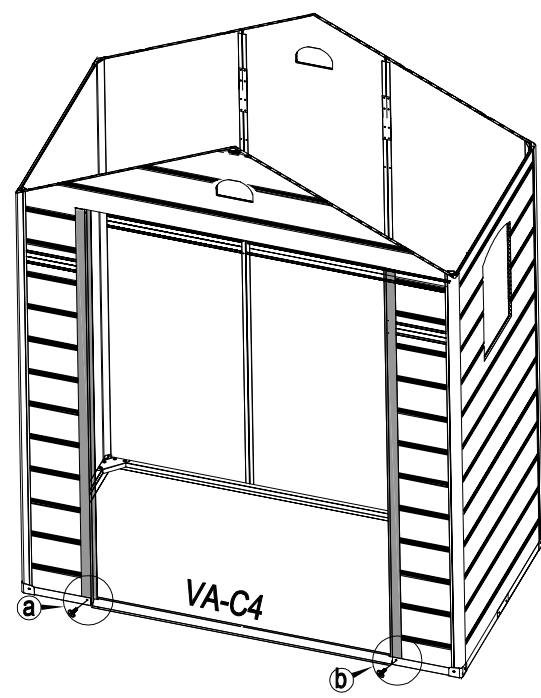
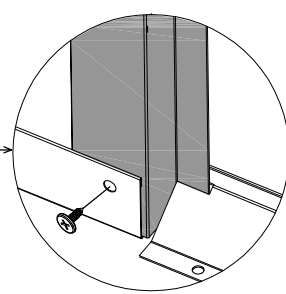
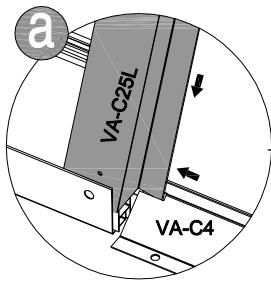
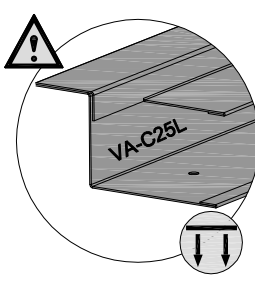
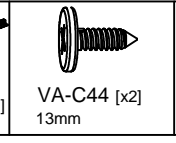
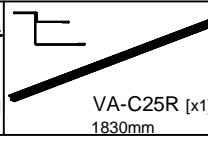
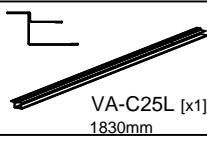
16	 VA-C9 [x2] 250m	 VA-C12 [x2] 250mm		 CN-A33	
-----------	---	---	--	---	---


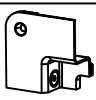
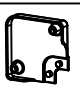

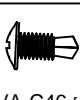
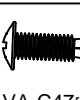


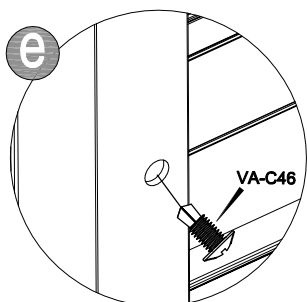
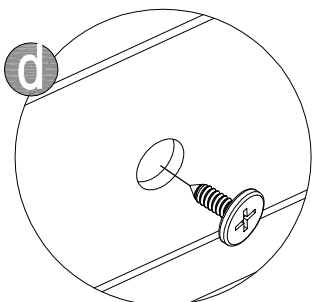
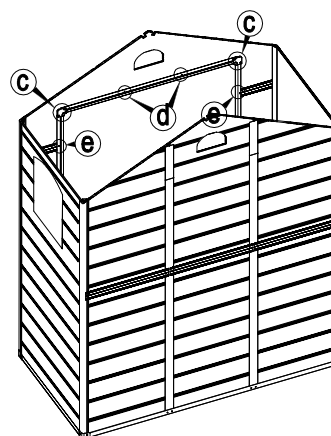
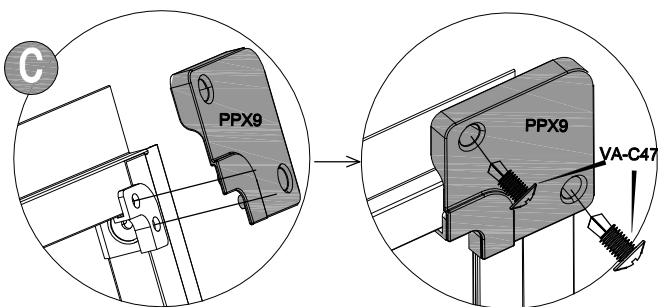
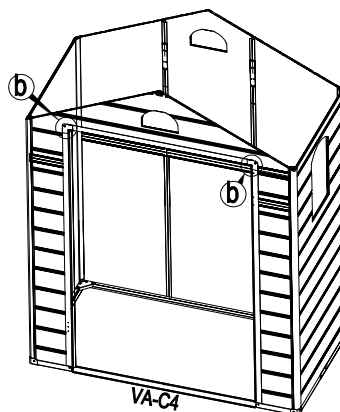
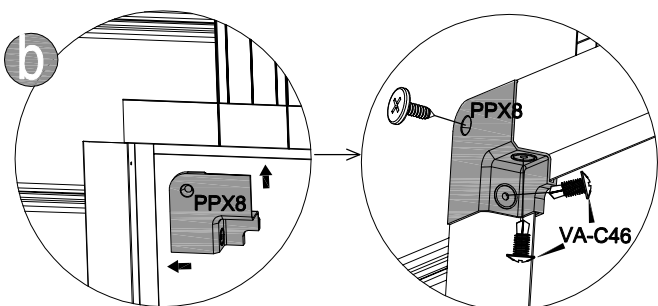
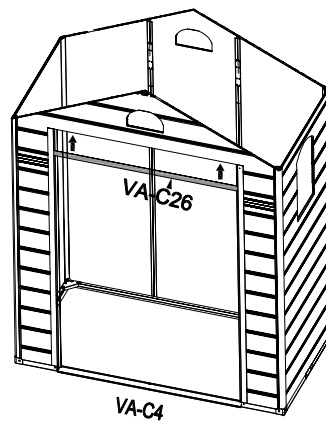
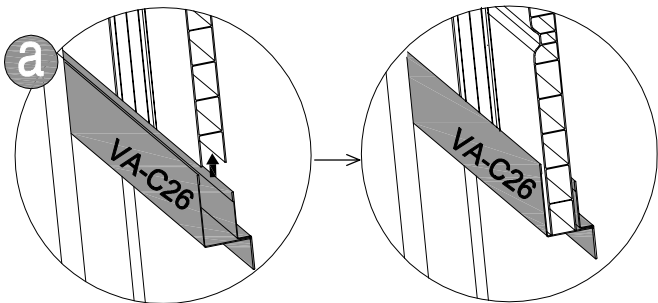
17	 PB2C [x1] 1710x676mm	 VA-C45 [x2] 19mm		 CN-A33		
-----------	--	--	--	---	---	---





18

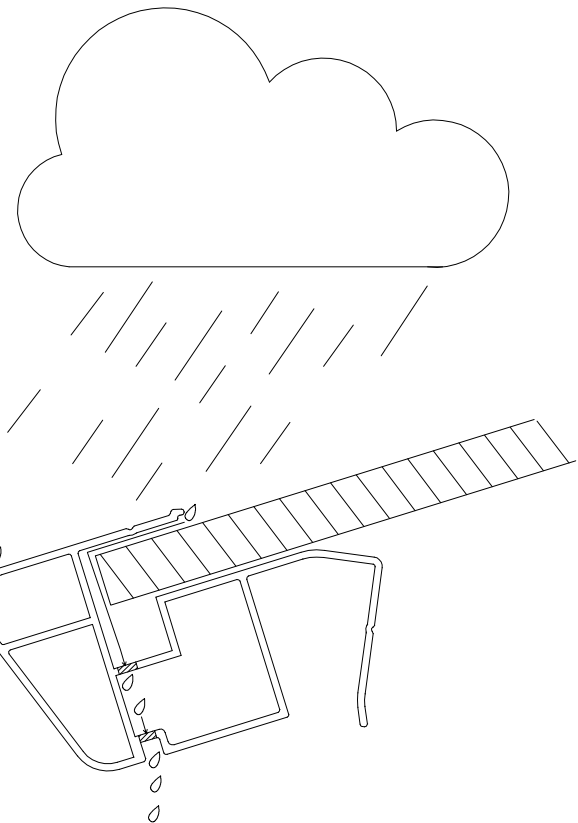
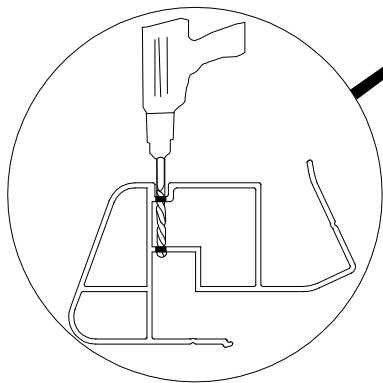
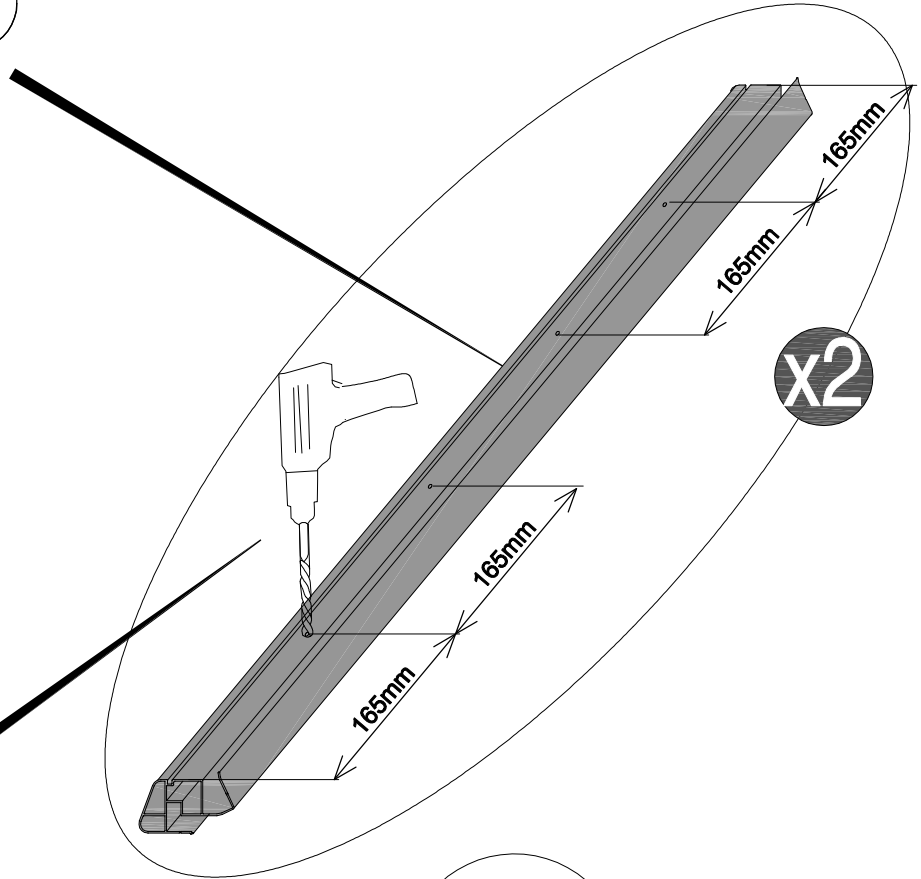


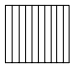
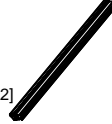

19	 VA-C26 [x1] 1198mm	 PPX8 [x2]	 PPX9 [x2]	 VA-C44 [x4] 13mm	 VA-C46 [x6] 13mm	 VA-C47 [x4] 19mm	
----	--	--	--	--	--	--	--

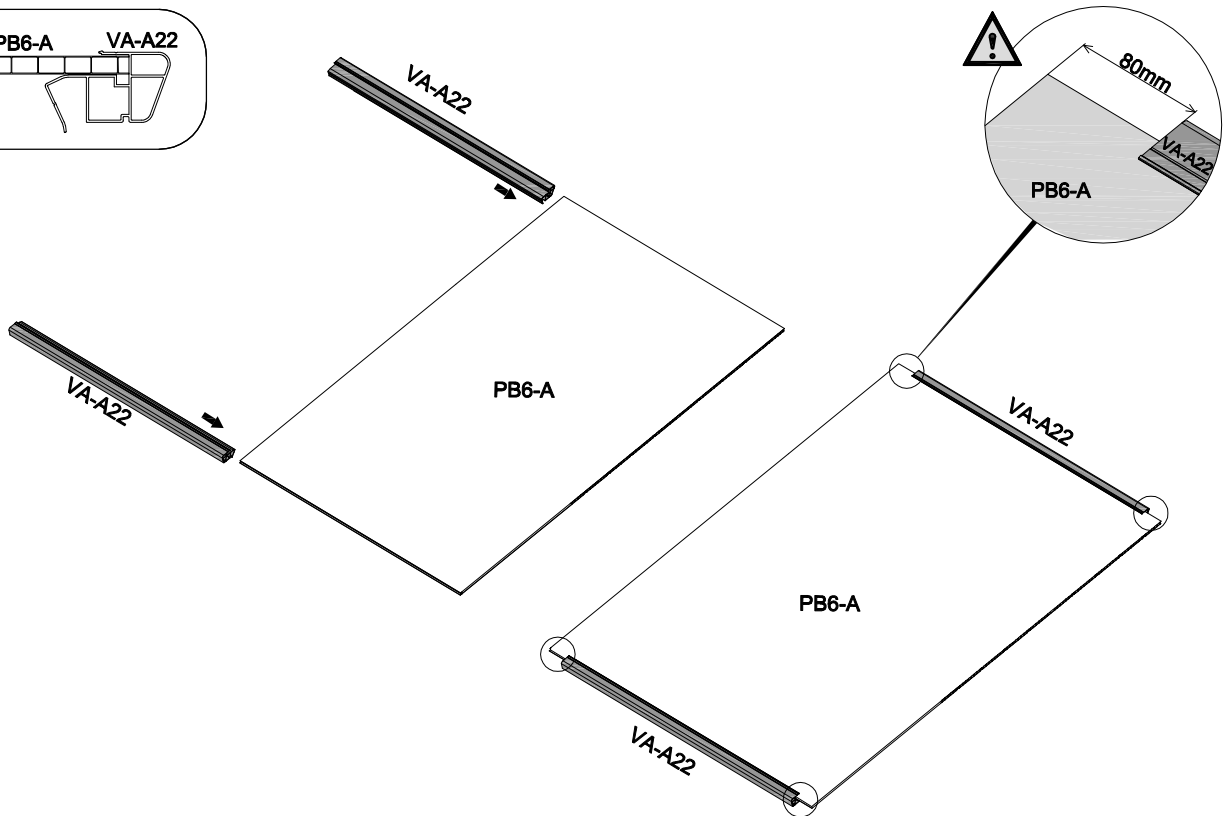
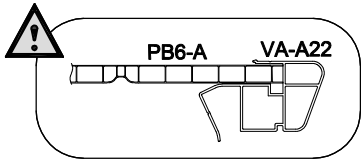




20	 VA-A22 [x2] 825mm	 Ø8mm		
----	---	---	--	--

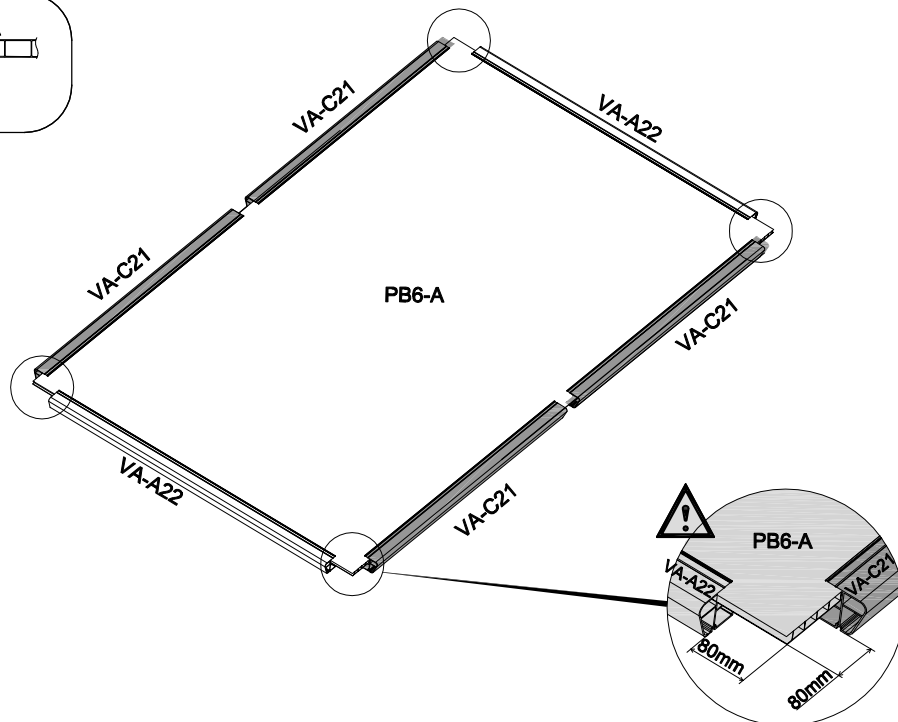
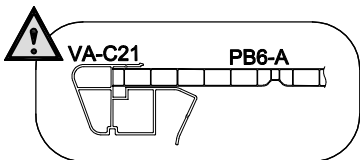
 VA-A22 [x2] 825mm	 VA-C21 [x4] 900mm
--	---



21	 PB6-A [x2] 985x2042mm	 VA-A22 [x2] 825mm	 CN-A33	
----	---	---	---	--



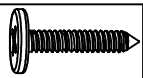
22	 VA-C21 [x4] 900mm	 CN-A33	
----	---	---	--



23



PPX3[x4]



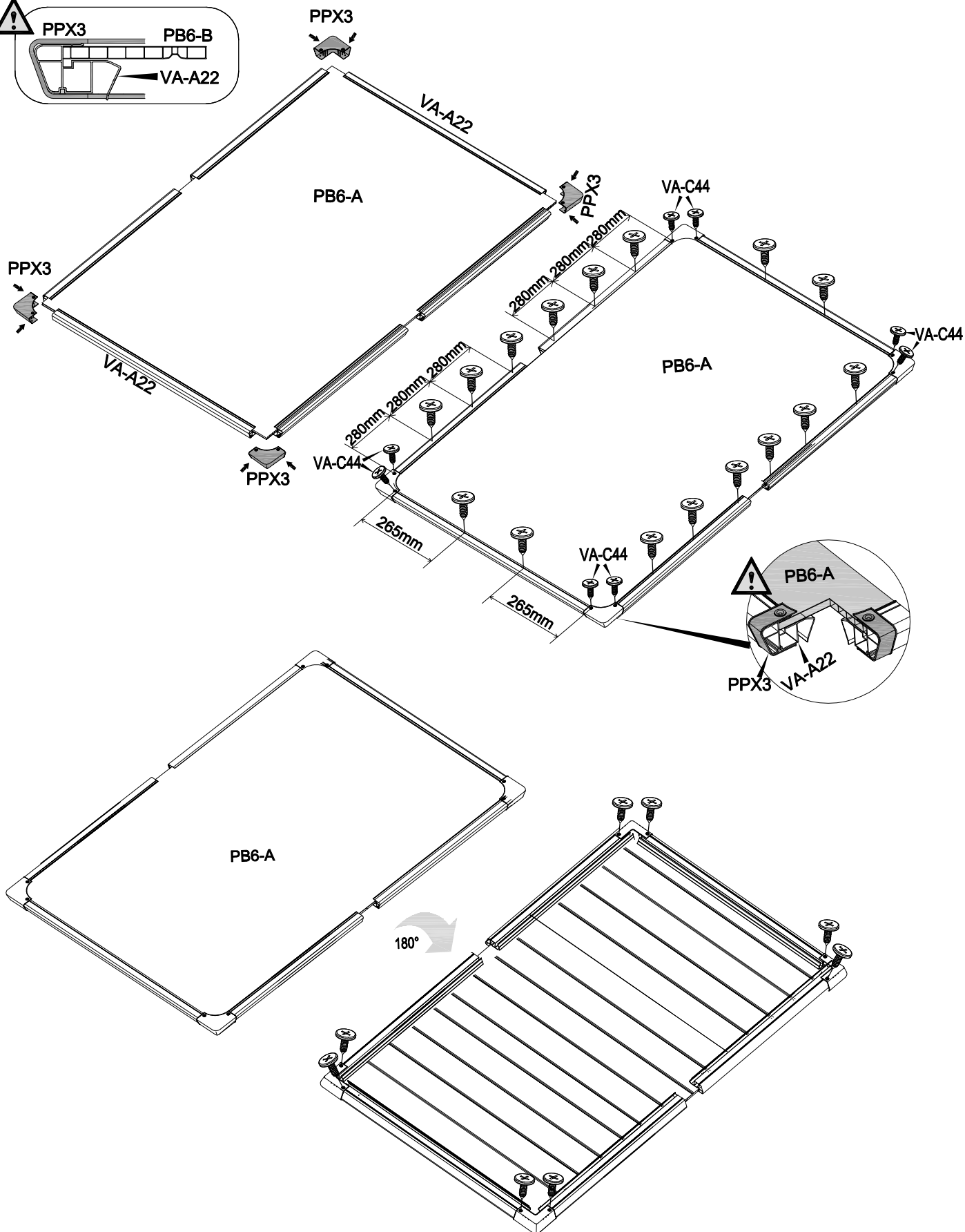
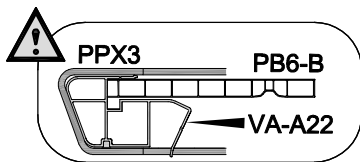
VA-C45 [x24]
19mm



VA-C44 [x8]
13mm



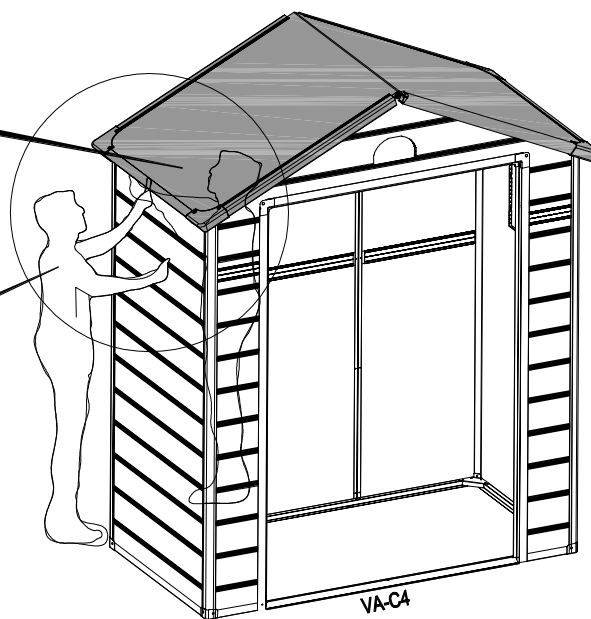
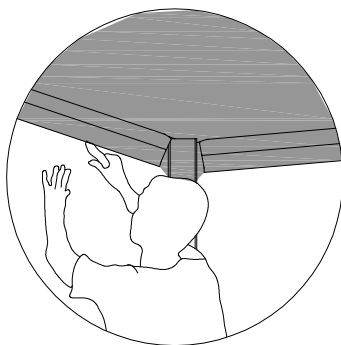
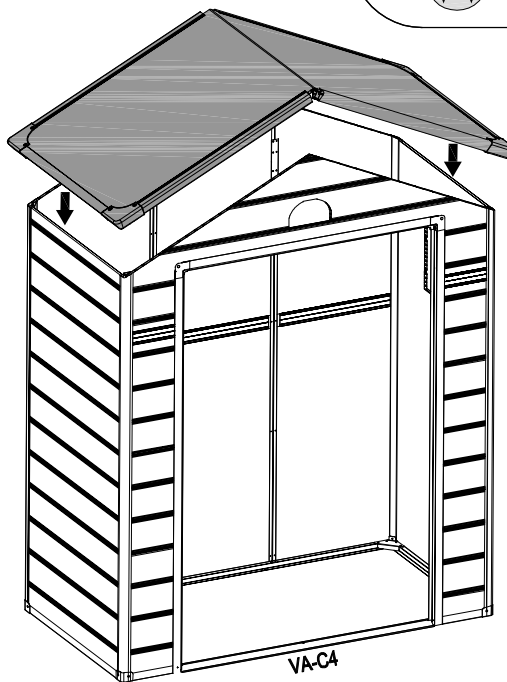
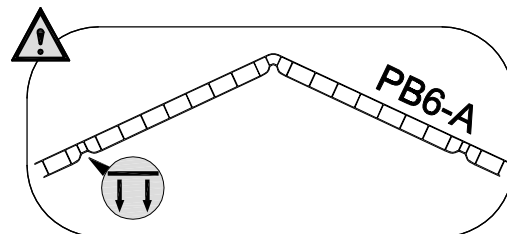
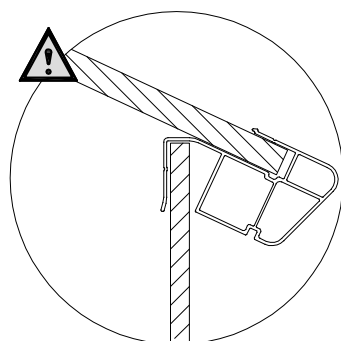
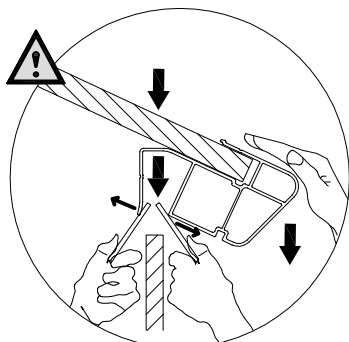
CN-A33



24



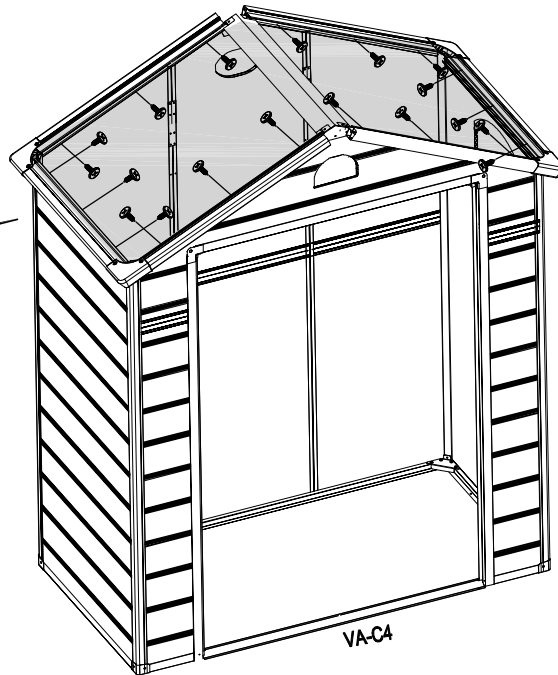
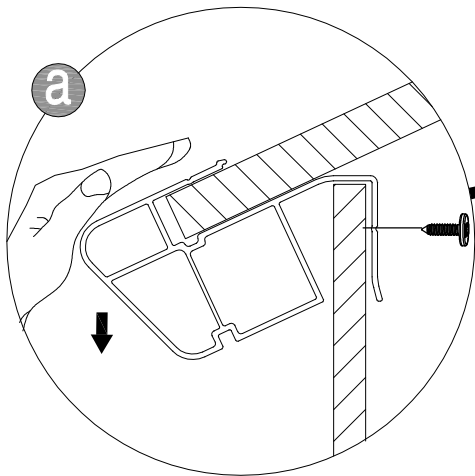
CN-A33



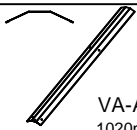
25



VA-C45 [x18]
19mm



26



VA-A24 [x1]
1020mm



PPX4 [x2]



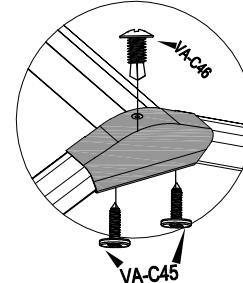
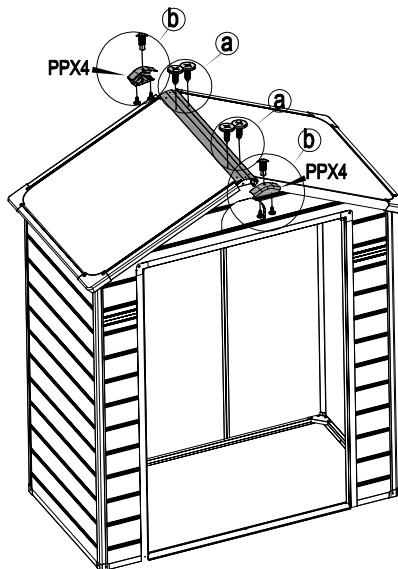
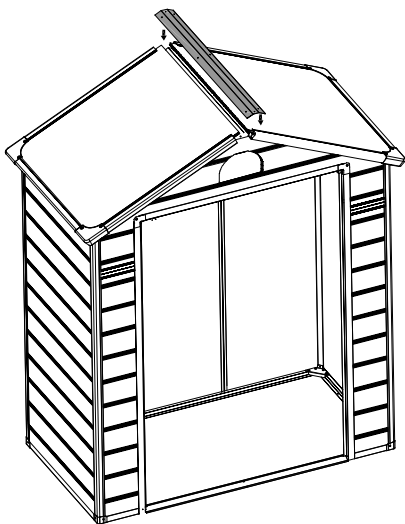
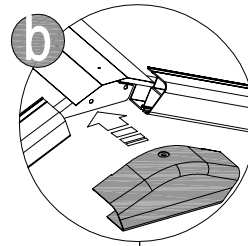
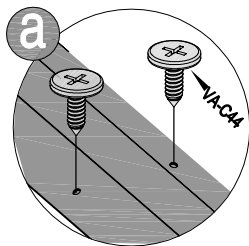
VA-C45 [x4]
19mm



VA-C44 [x4]
13mm



VA-C46 [x2]
13mm

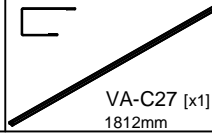


27

PB7S [x1]
1810x591mm



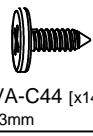
VA-C29 [x1]
1812mm



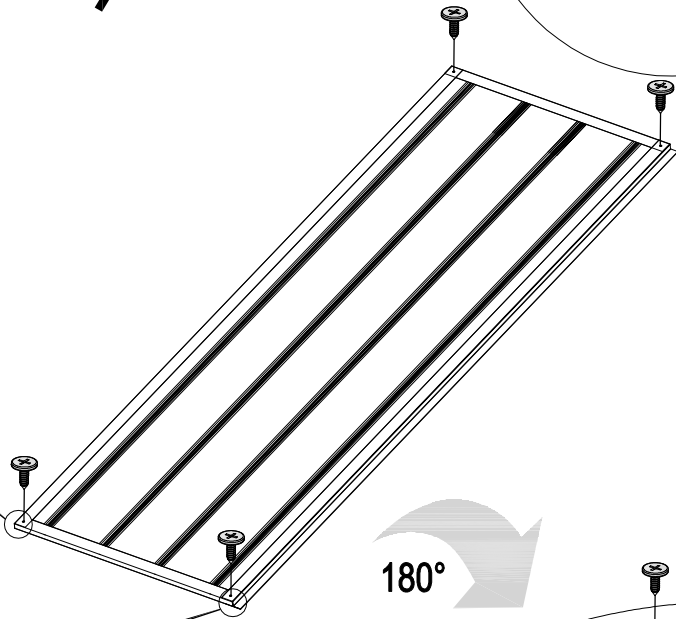
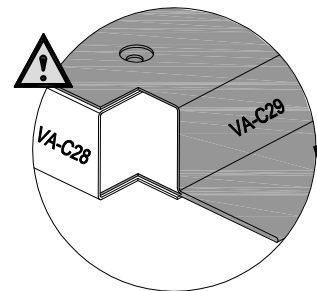
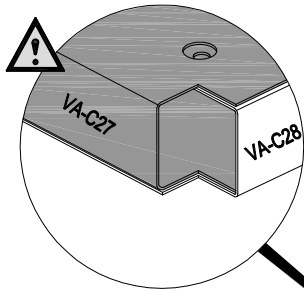
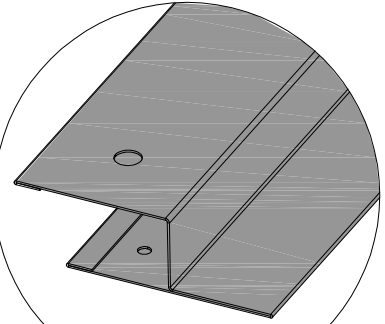
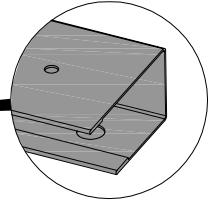
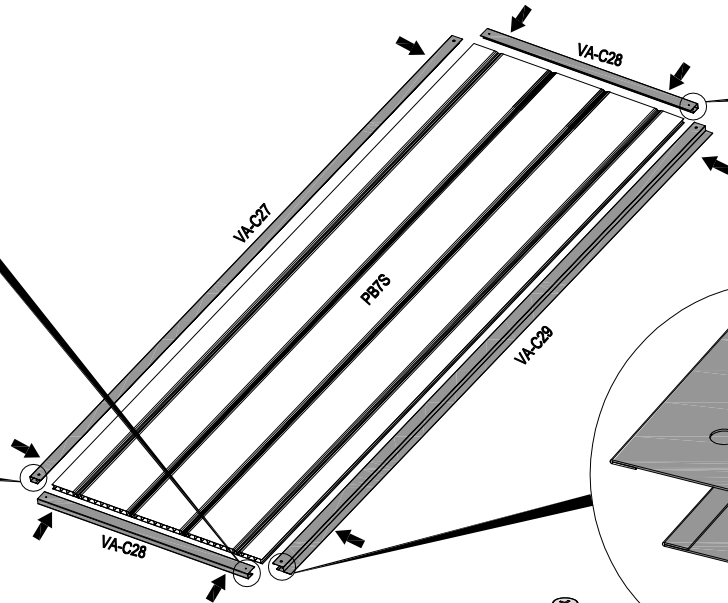
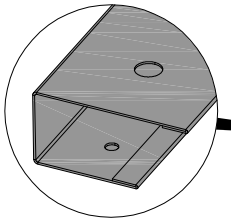
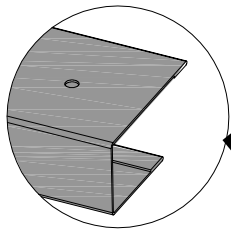
VA-C27 [x1]
1812mm



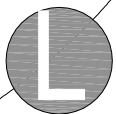
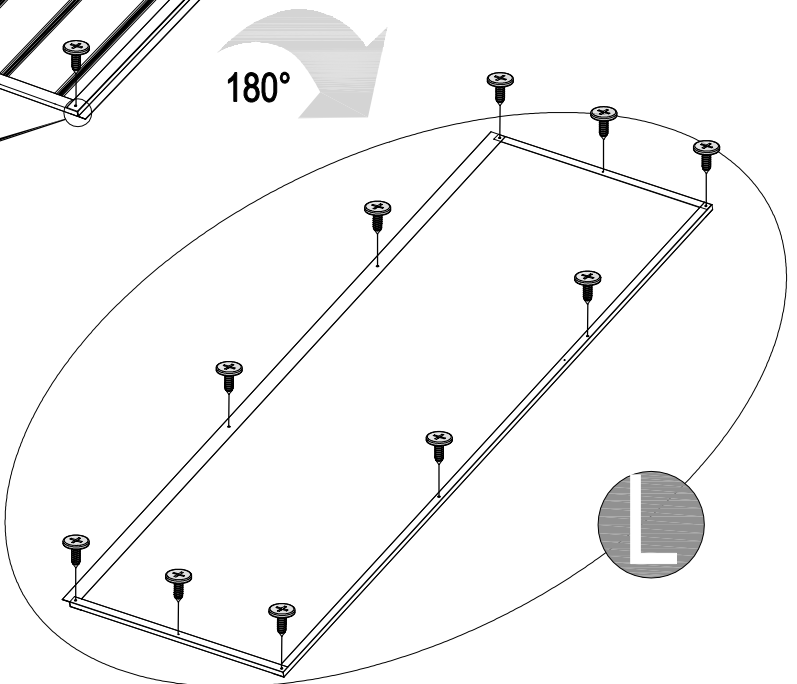
VA-C28 [x2]
592mm



VA-C44 [x14]
13mm



180°



28

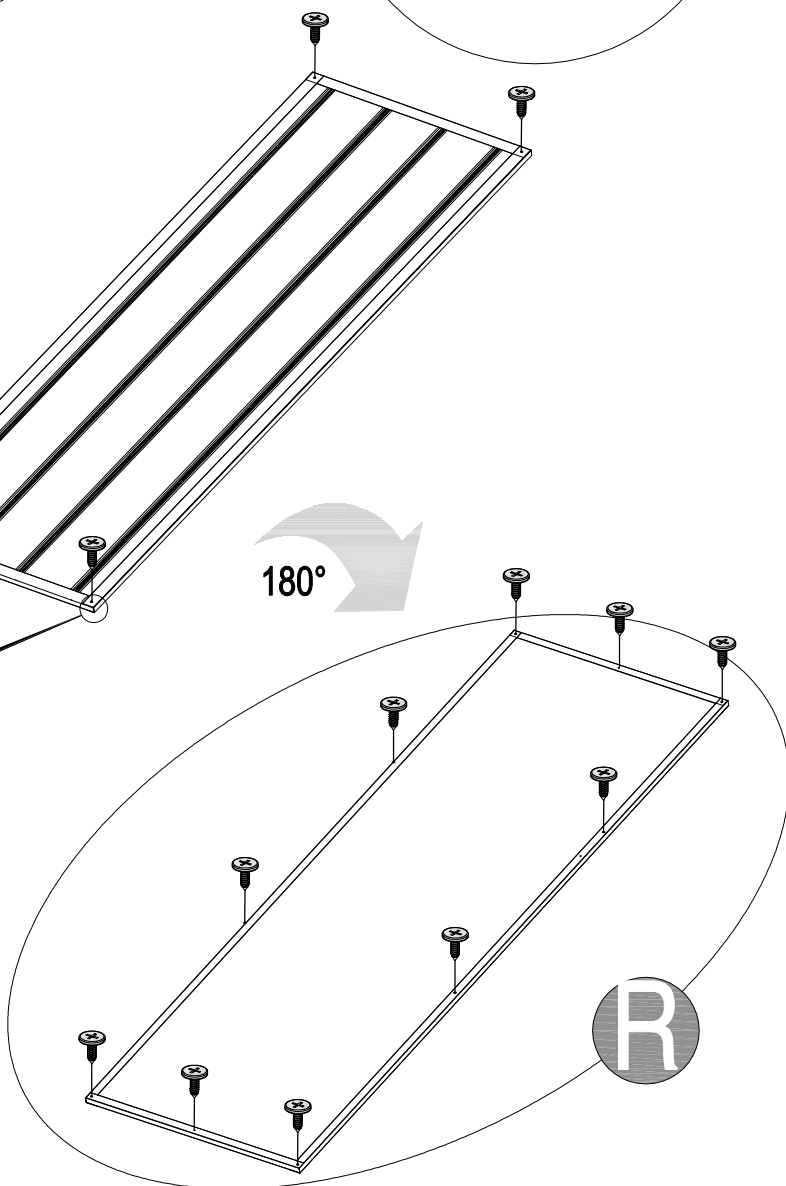
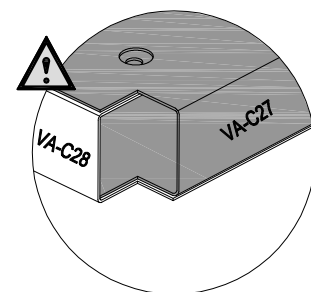
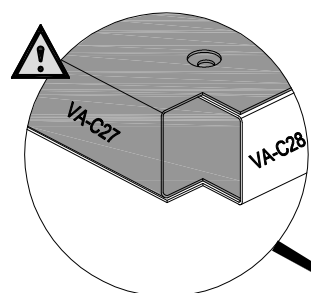
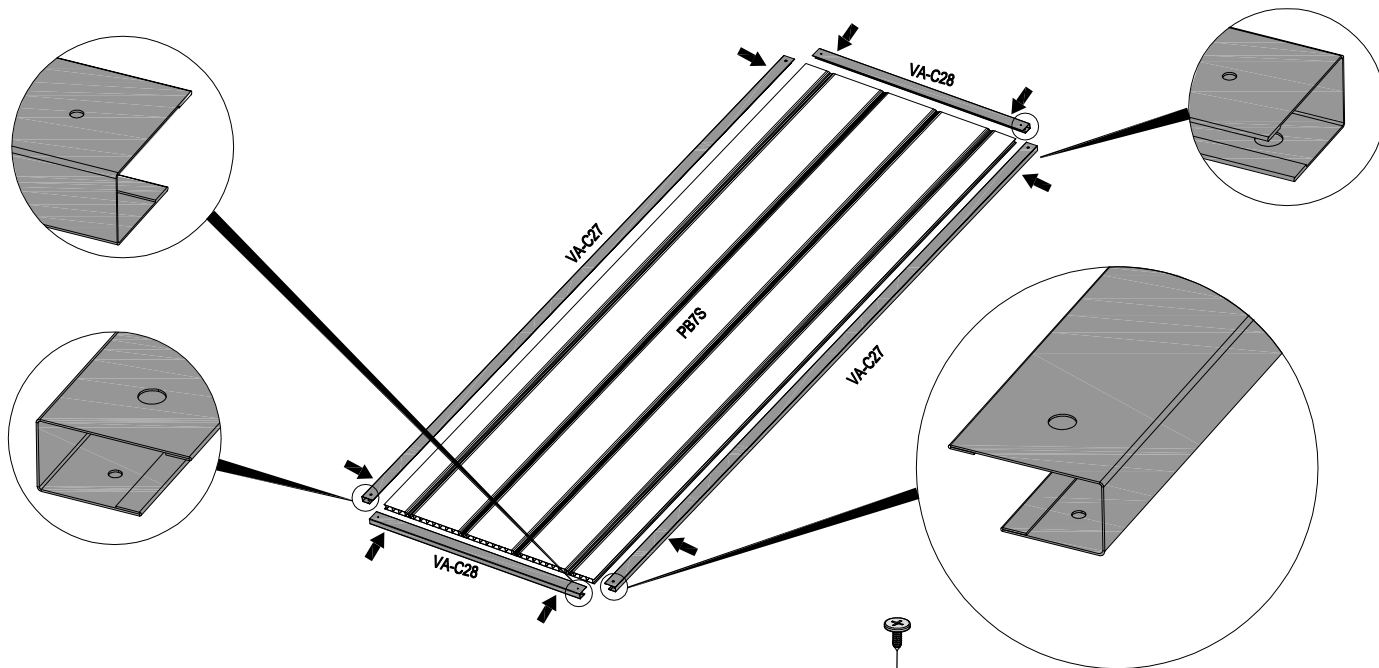
PB7S [x1]
1810x591mm



VA-C27 [x2]
1812mm

VA-C28 [x2]
592mm

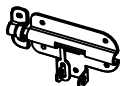
VA-C44 [x14]
13mm



29



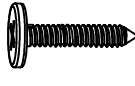
VA-41 [x4]



VA-40 [x1]



PA01 [x3]



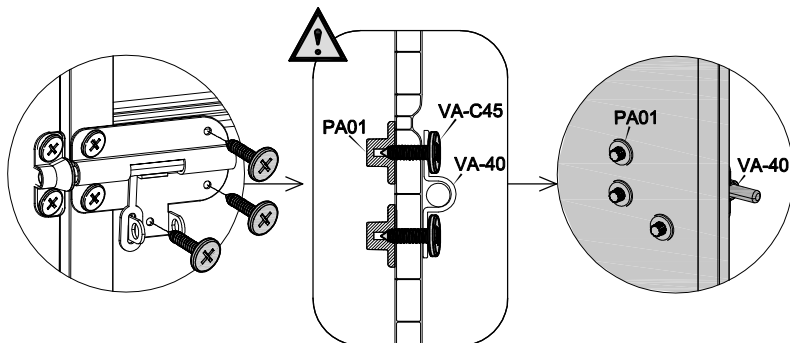
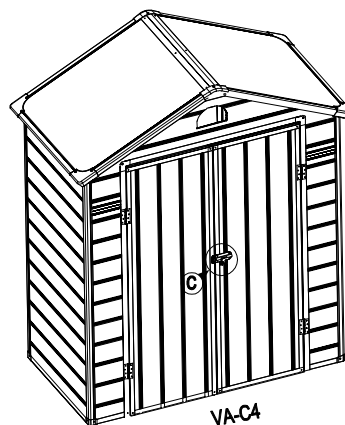
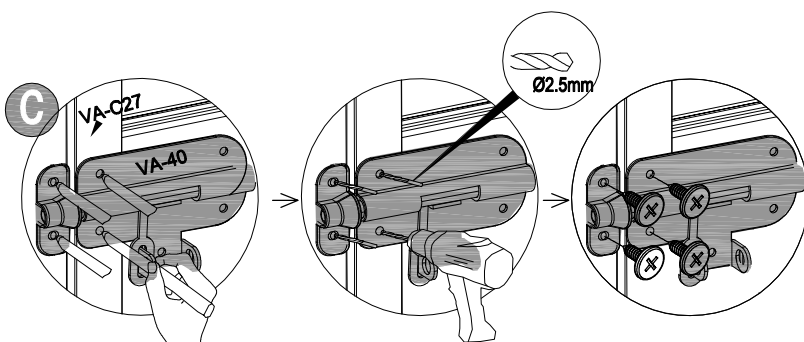
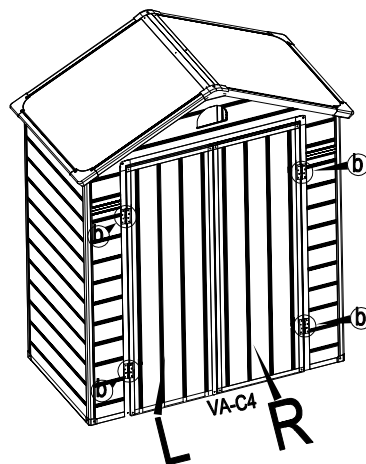
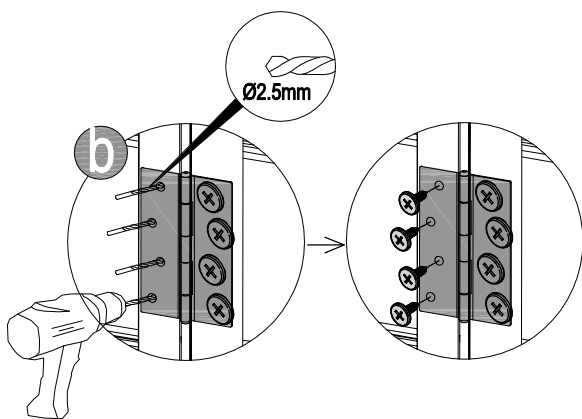
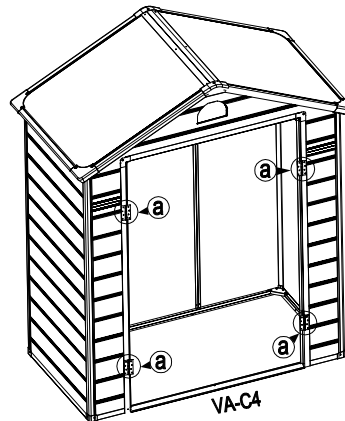
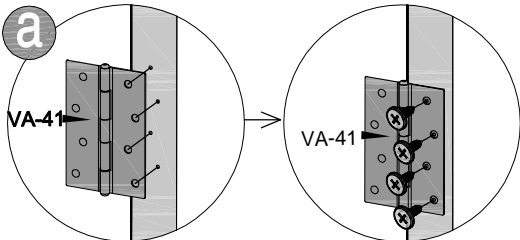
VA-C45 [x3]
19mm



VA-C44 [x36]
13mm



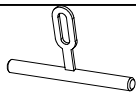
Ø2.5mm



30



VA-38a [x2]



VA-38b [x2]



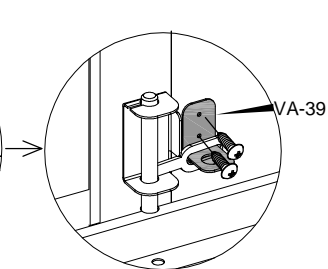
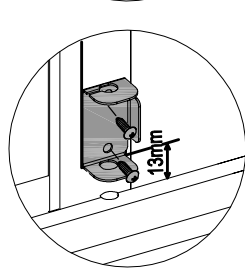
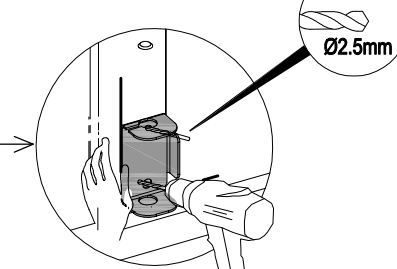
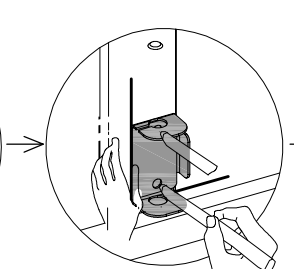
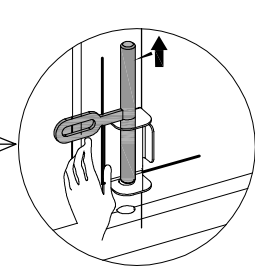
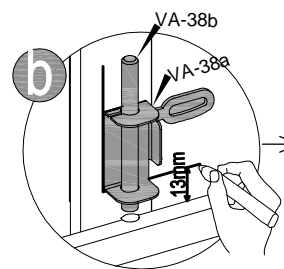
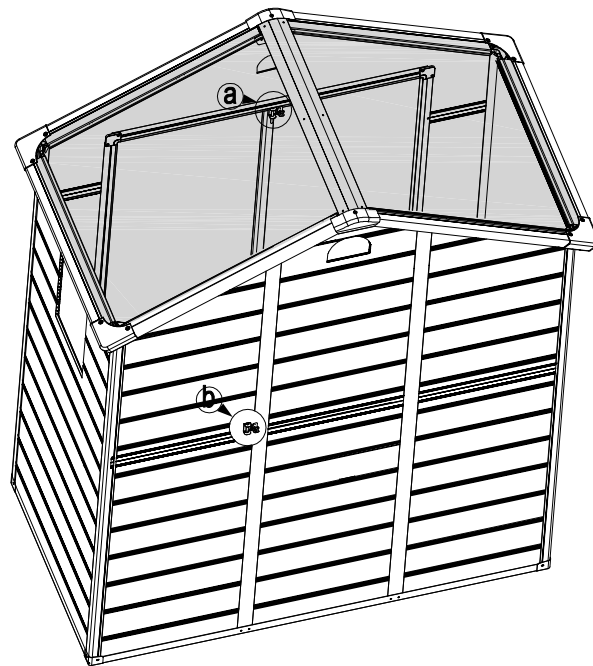
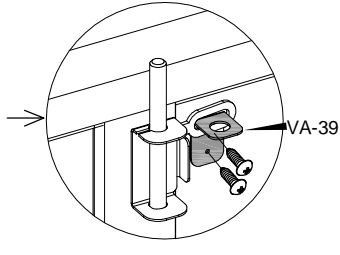
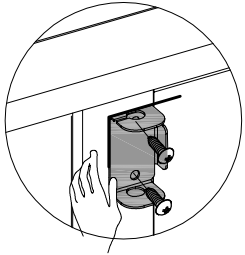
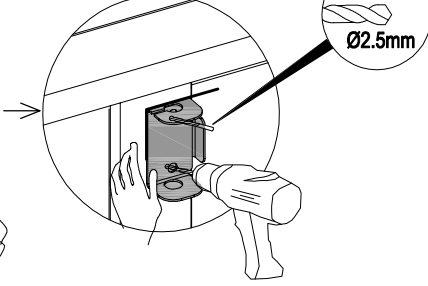
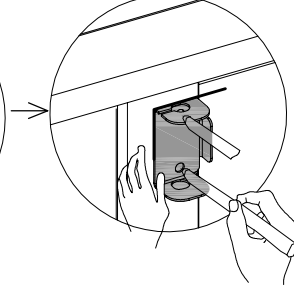
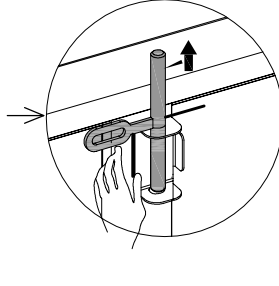
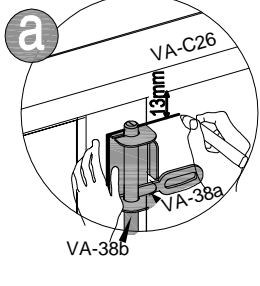
VA-39 [x2]



VA-C49 [x8]
13mm



Ø2.5mm



31



VA-32L [x2]



VA-32R [x2]



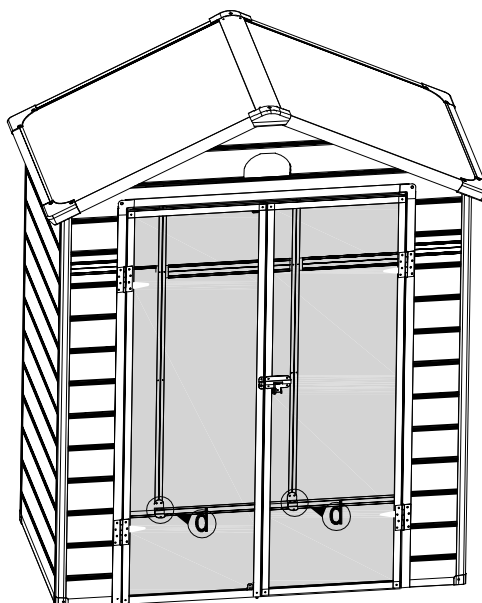
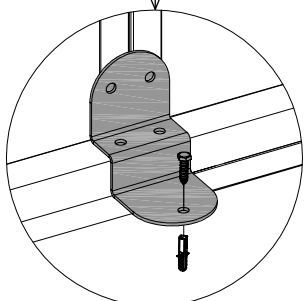
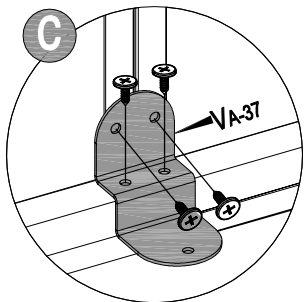
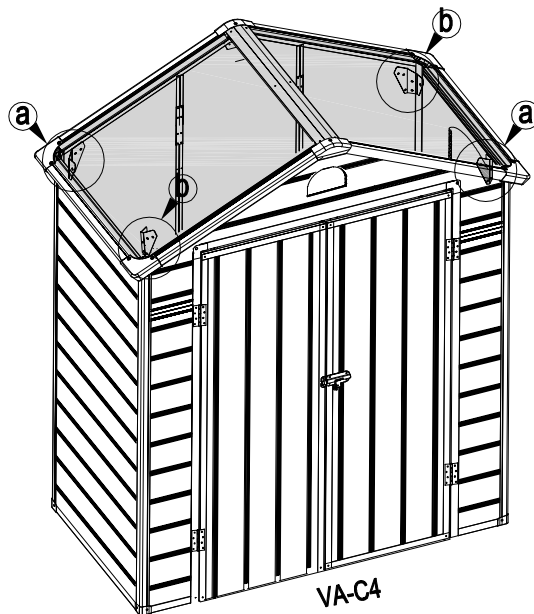
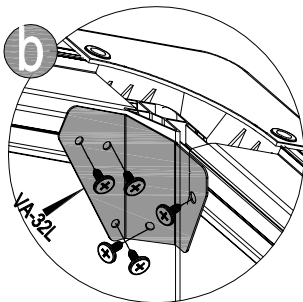
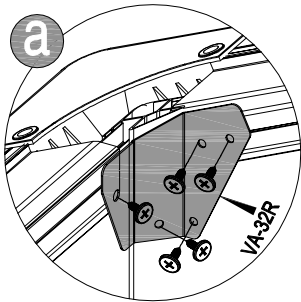
VA-37 [x2]


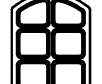

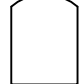





VA-C44 [x20]
13mm



VA-C48 [x2]



32	 PPX14 [x2]	 PPX12 [x1]	 PPX13 [x1]	 W2S [x1]	 VA-51 [x1]	 VA-C44 [x10] 13mm	
----	---	---	---	---	--	---	---

