

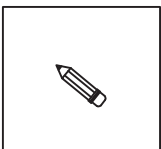
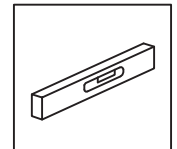
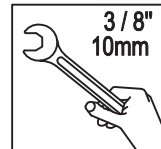
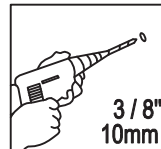
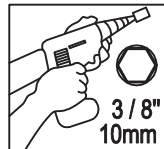
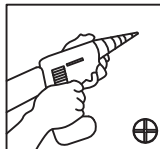
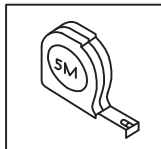
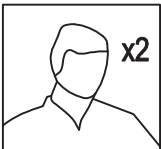
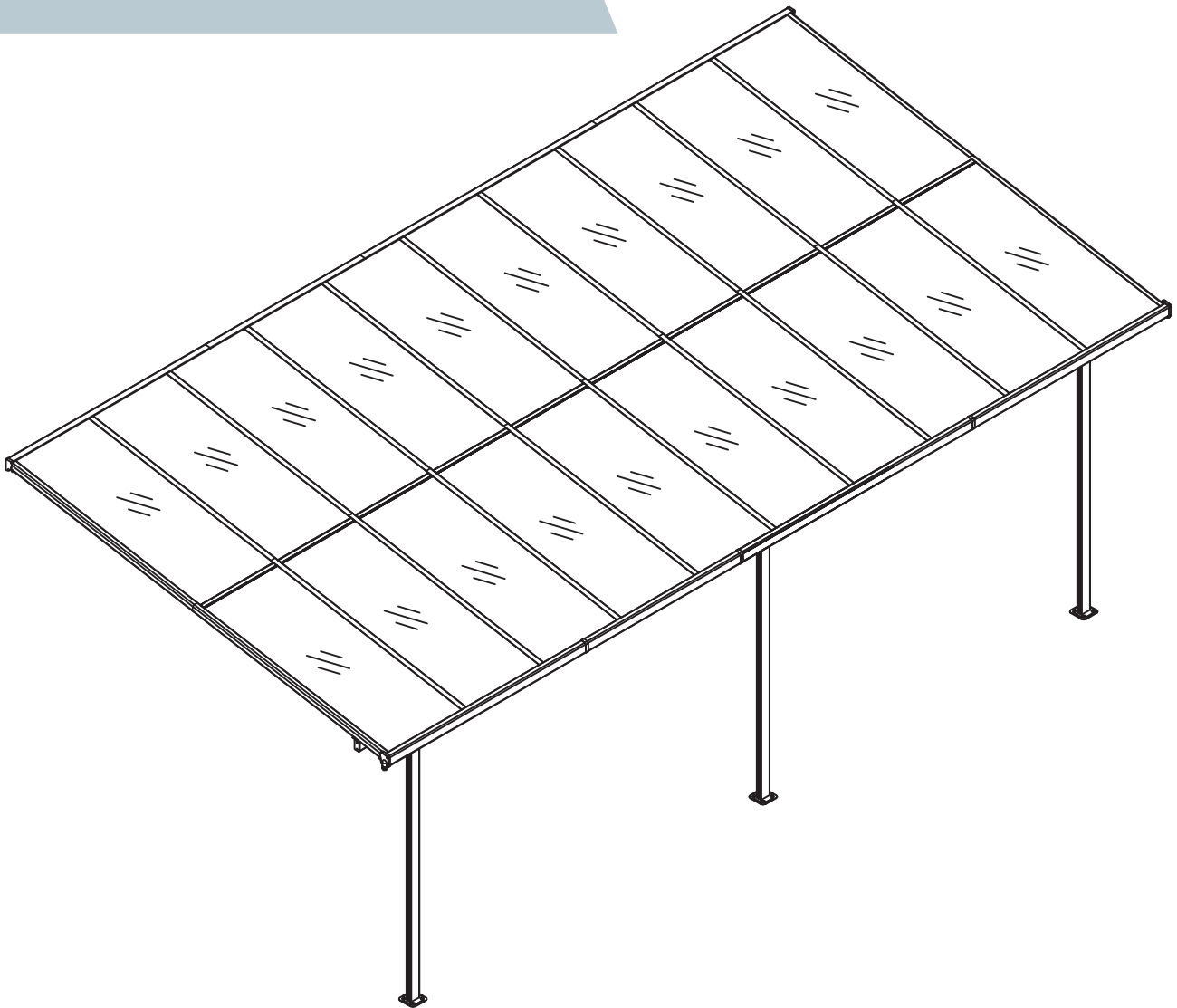


# WESTMANN

## MONTAGEANLEITUNG

Terrassenüberdachung

S106110 (W)

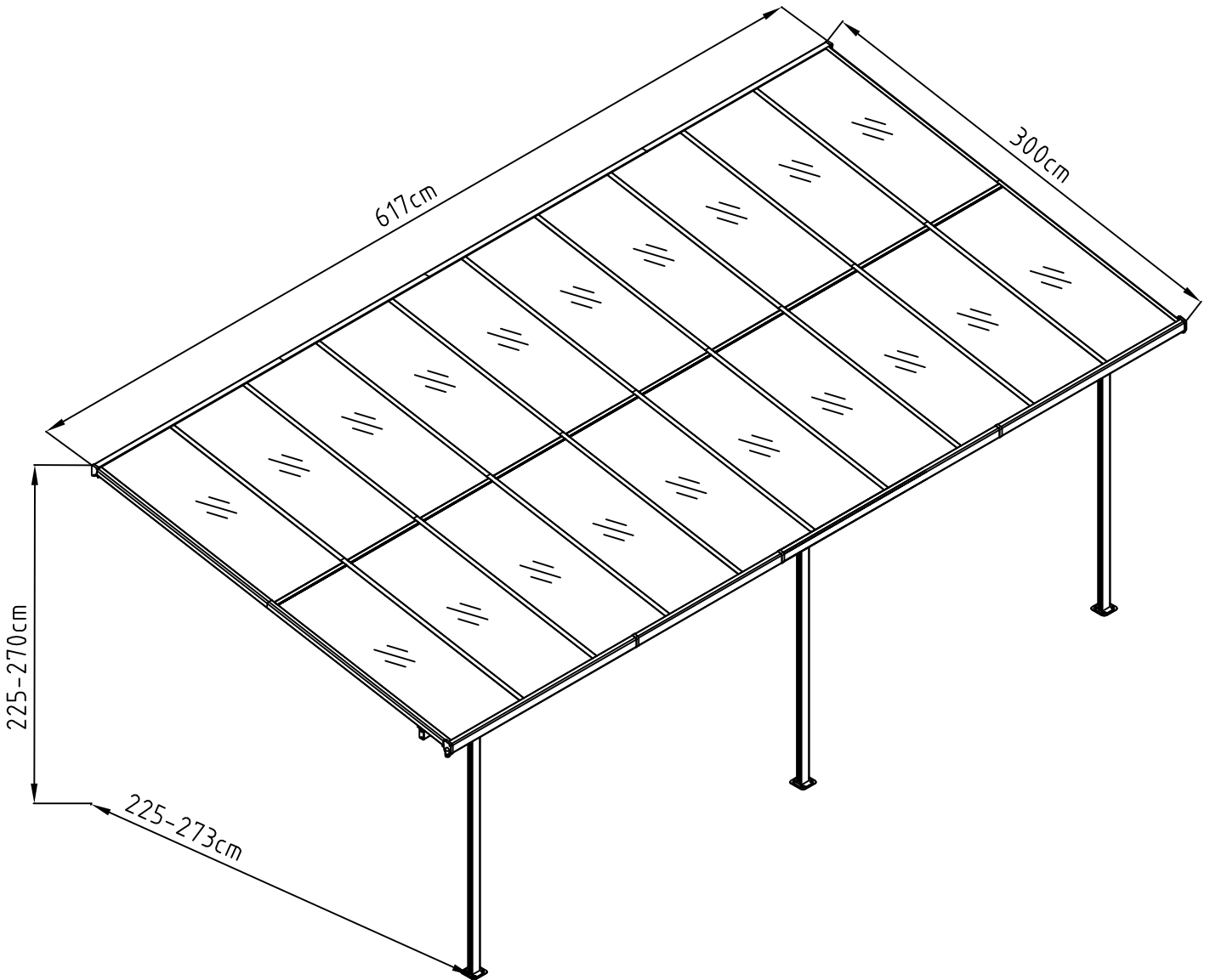


**BEI FRAGEN, KONTAKTIEREN SIE  
UNSEREN KUNDENSERVICE:**

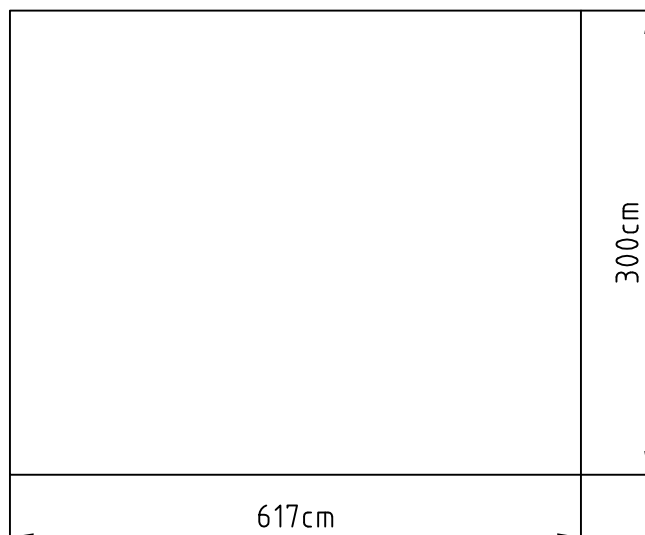
50NRTH GmbH  
Straßburgstraße 14-16  
D-54516 Wittlich

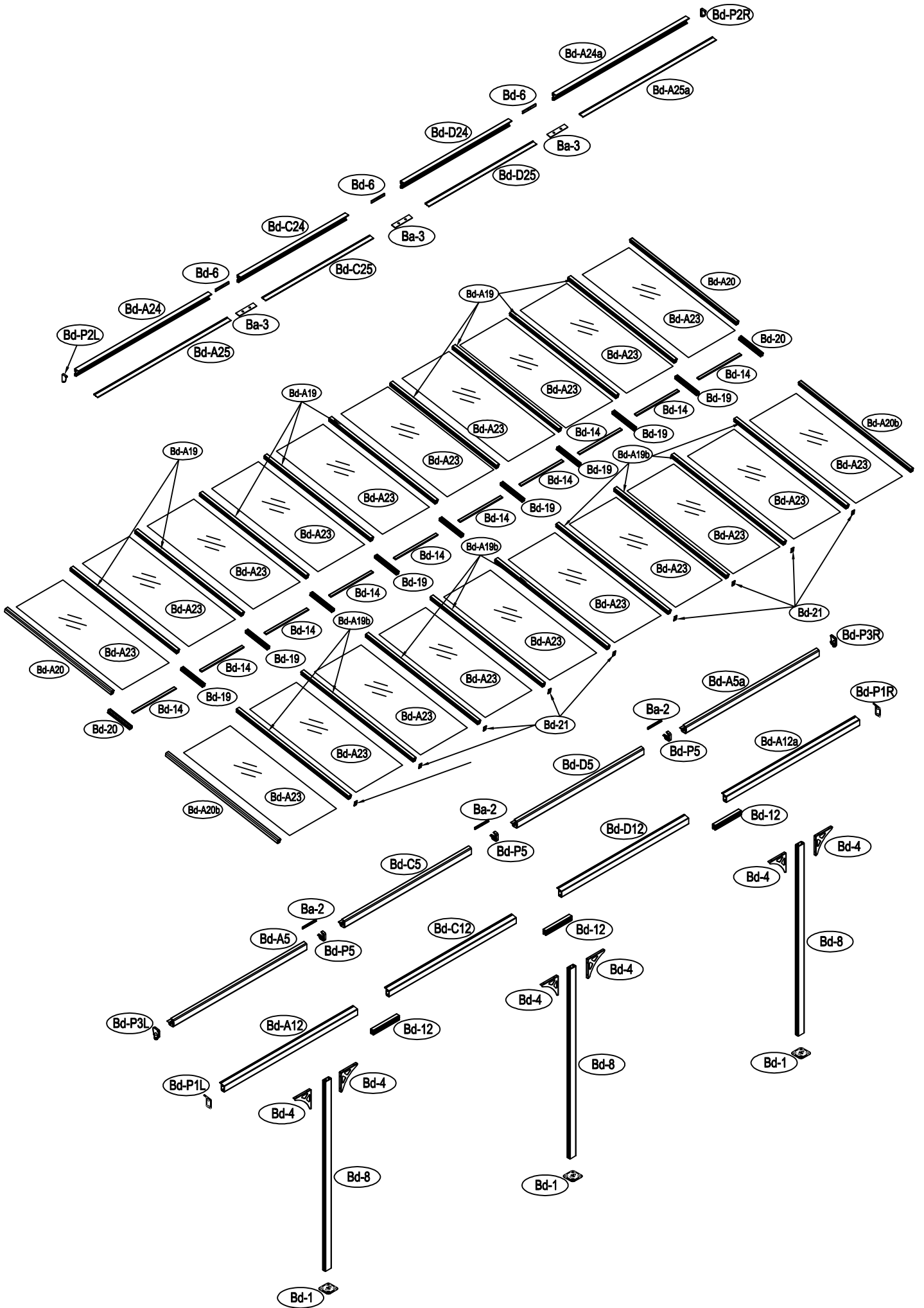
service@50NRTH.com  
+49 (0) 6571 95117-0

# Size of BruceM-J:

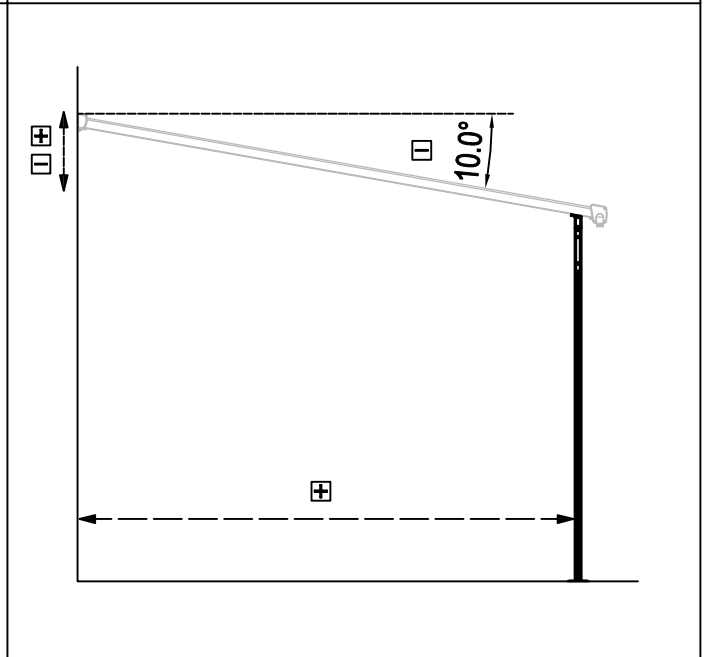
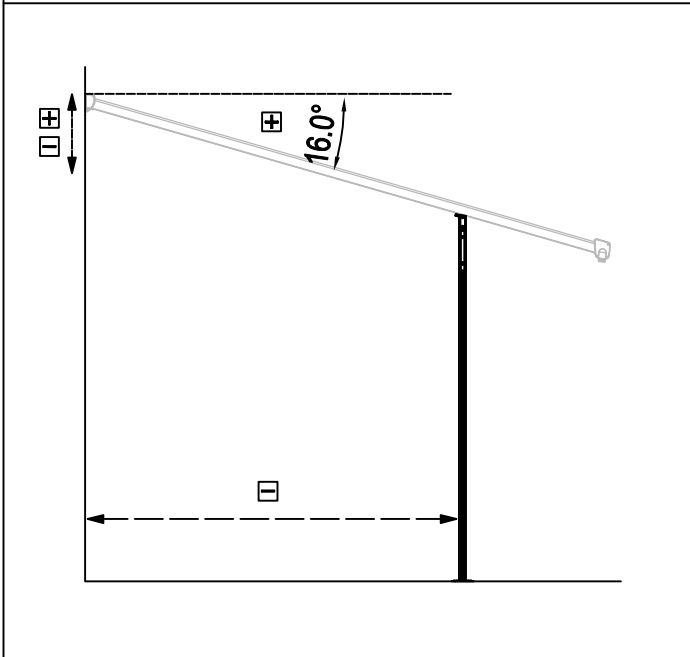
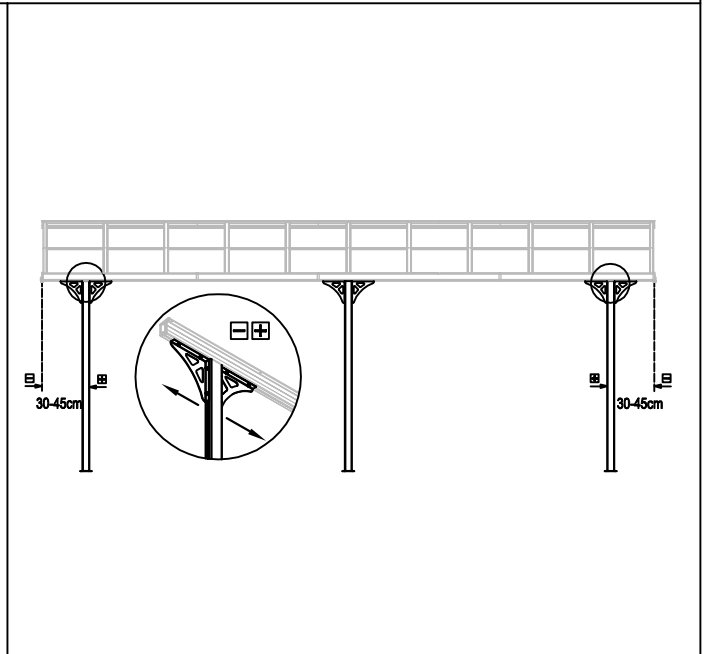
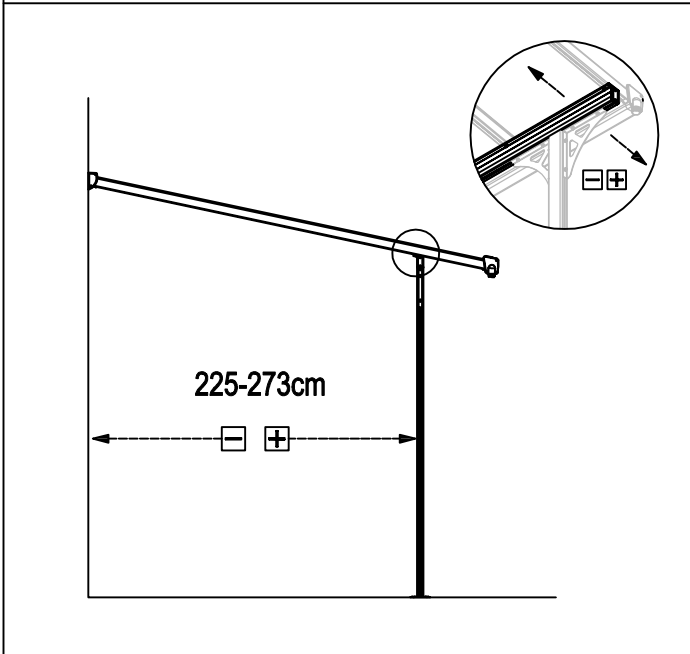
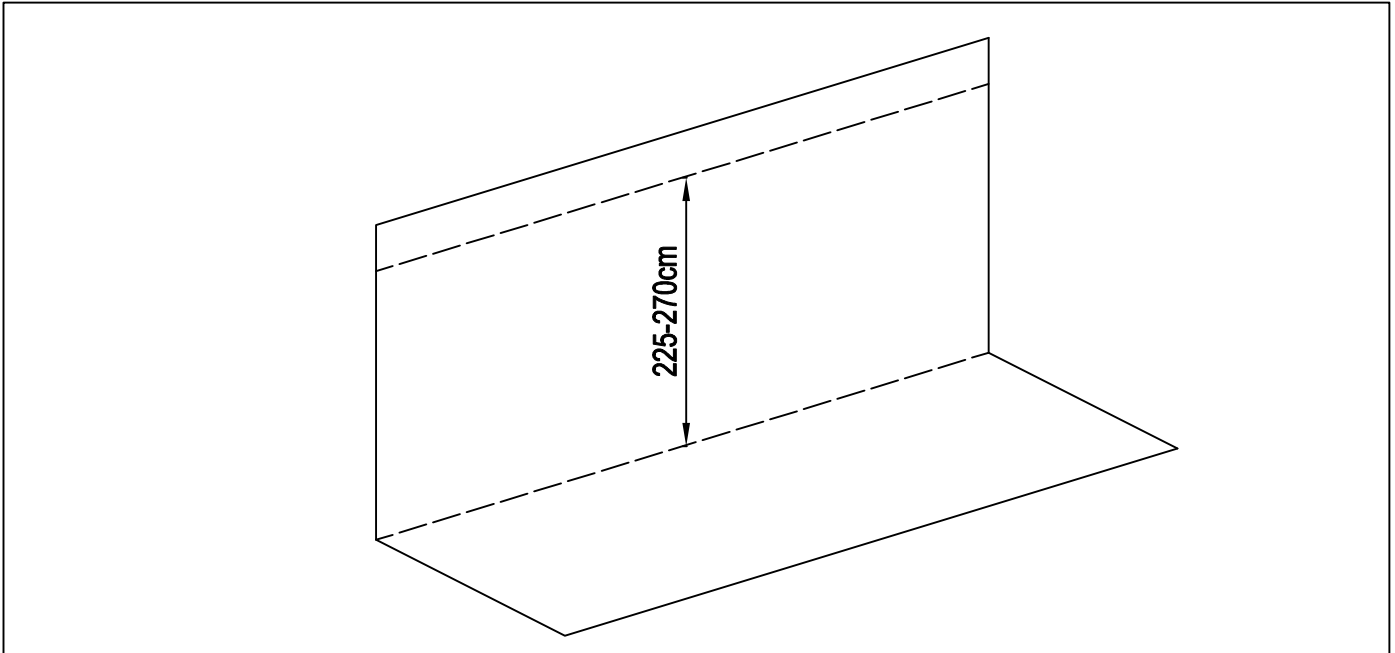


# Area of installation requirement:

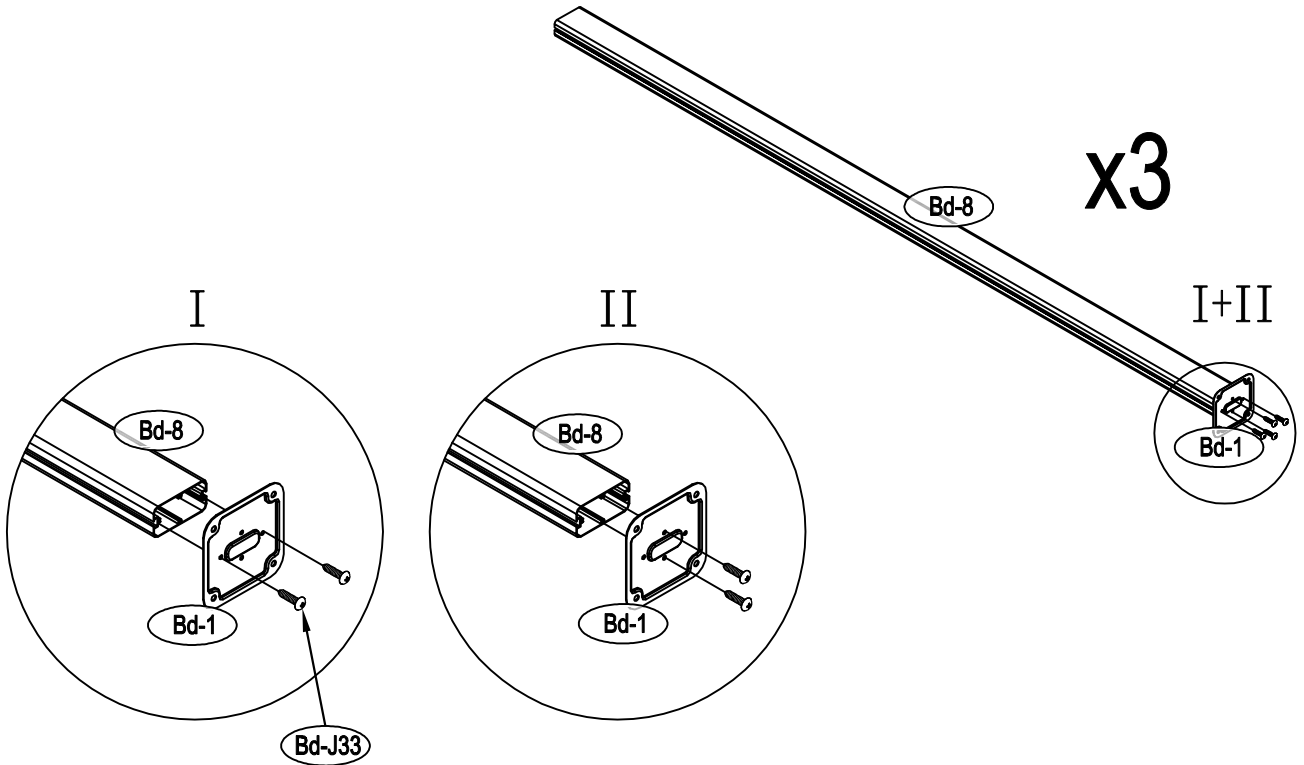









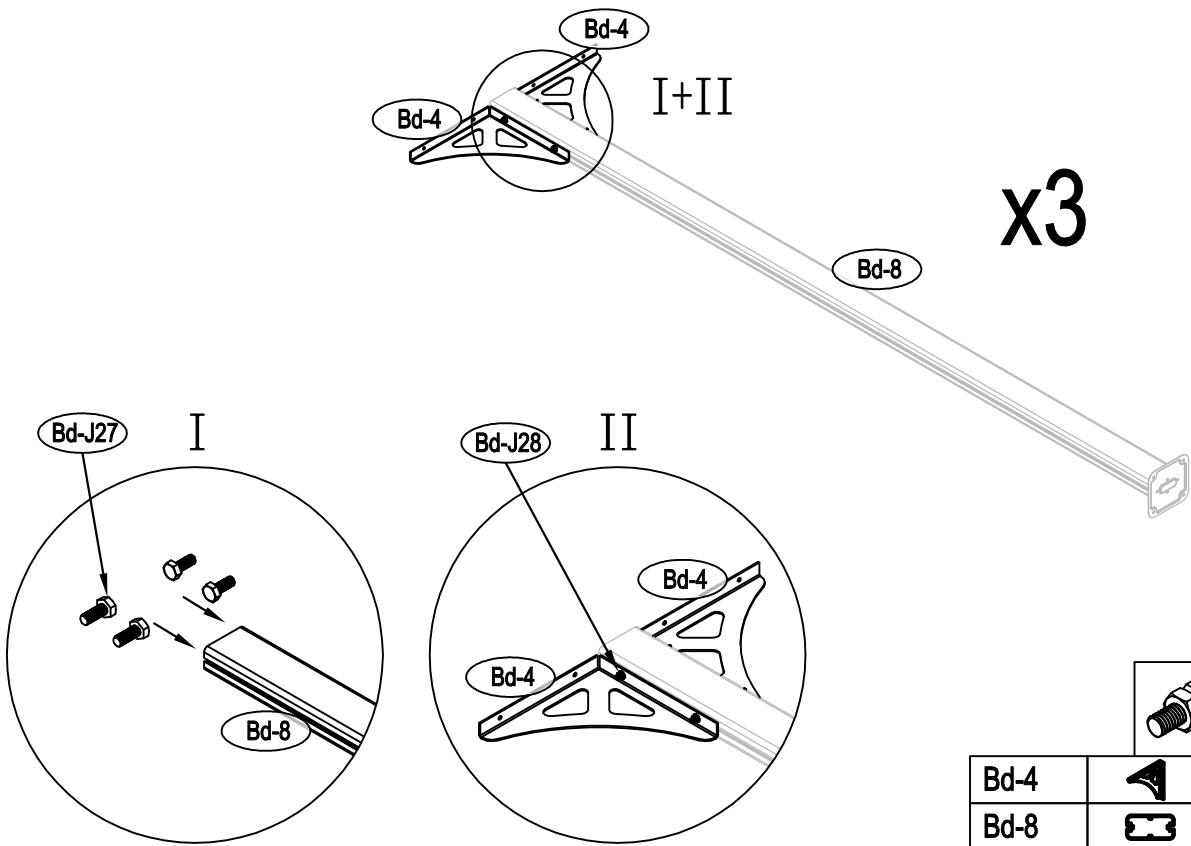








1



Bd-1		x3
Bd-8		x3
Bd-J33		x12

2

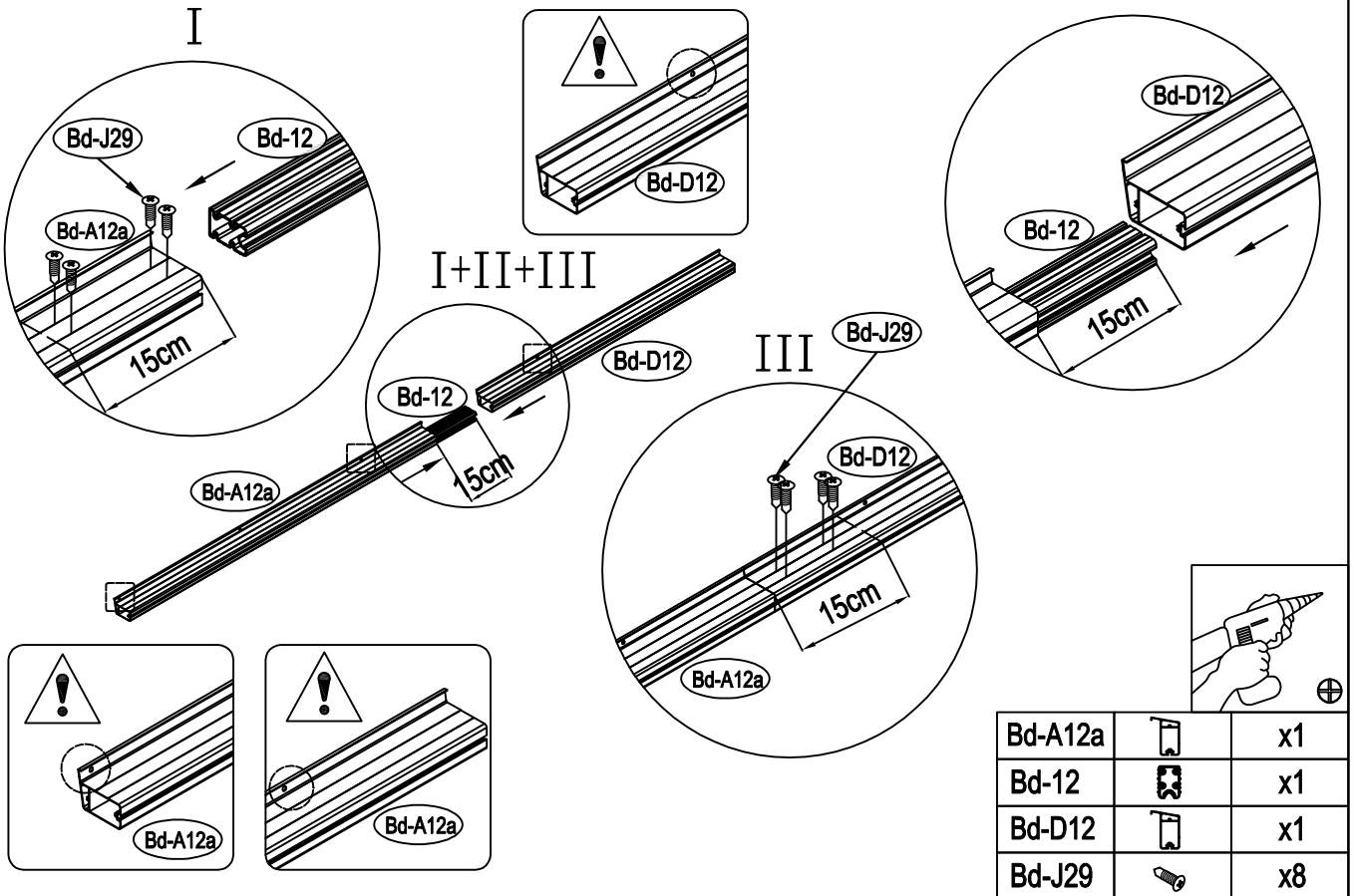


		
Bd-4		x6
Bd-8		x3
Bd-J27		x12
Bd-J28		x12

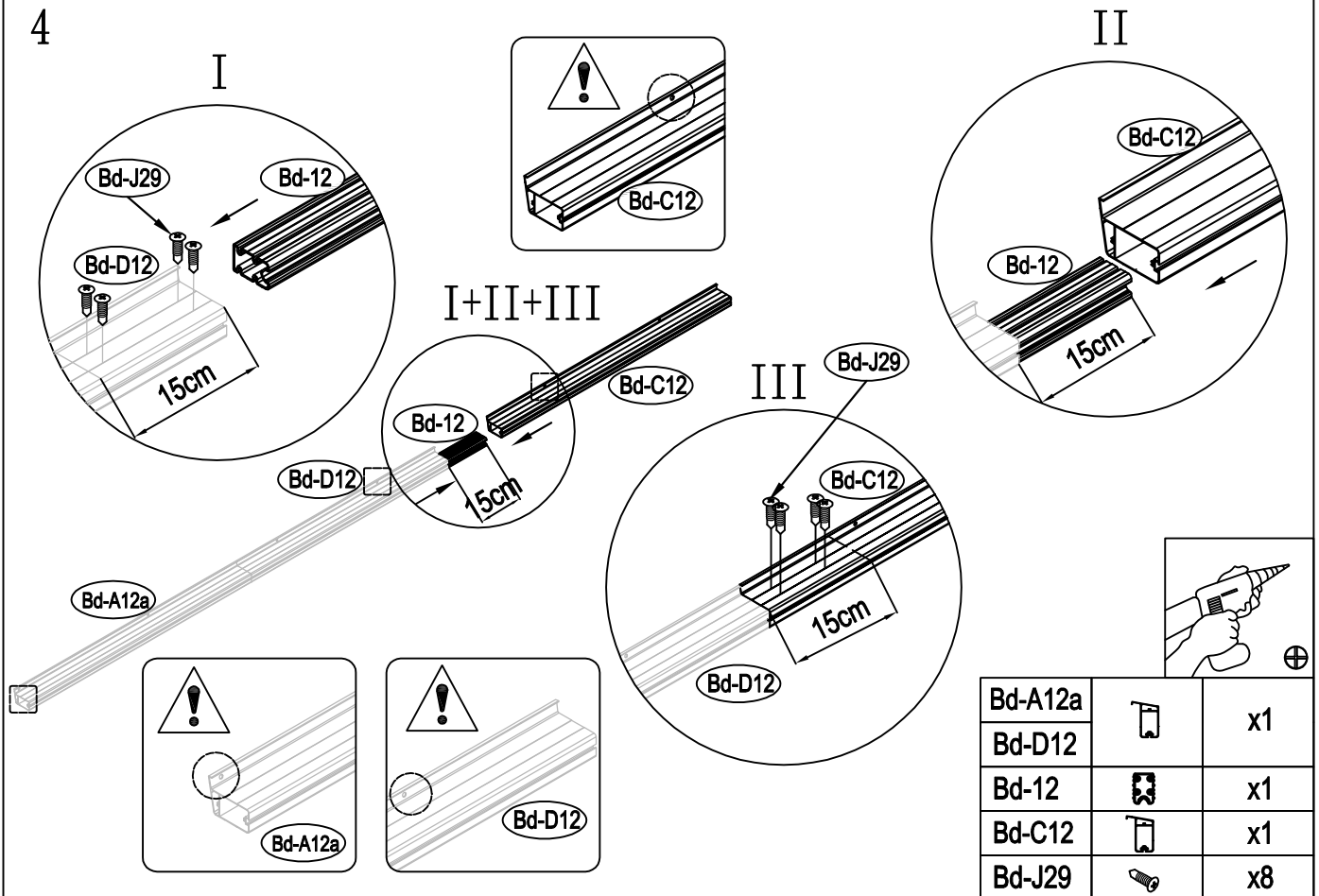
1

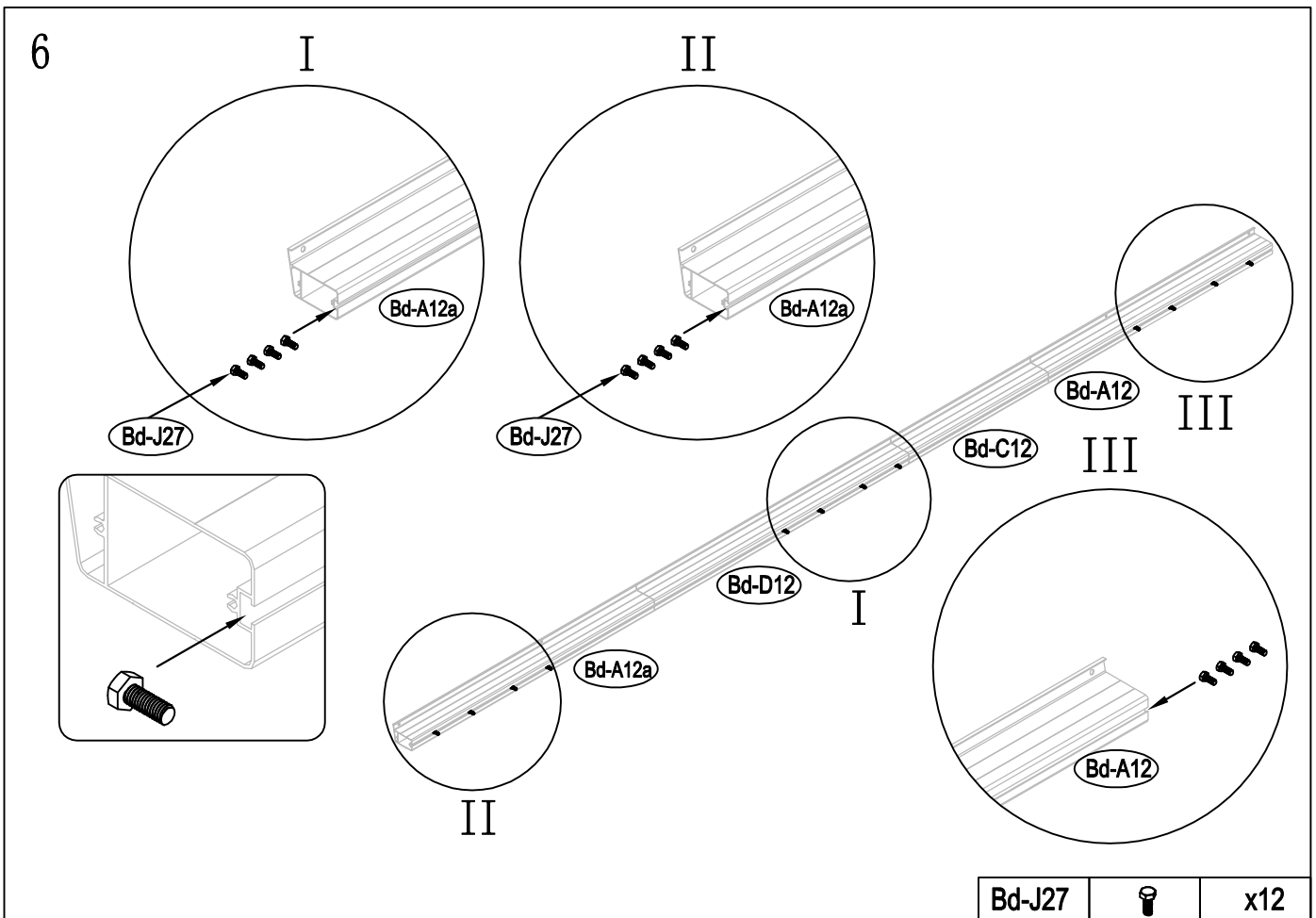
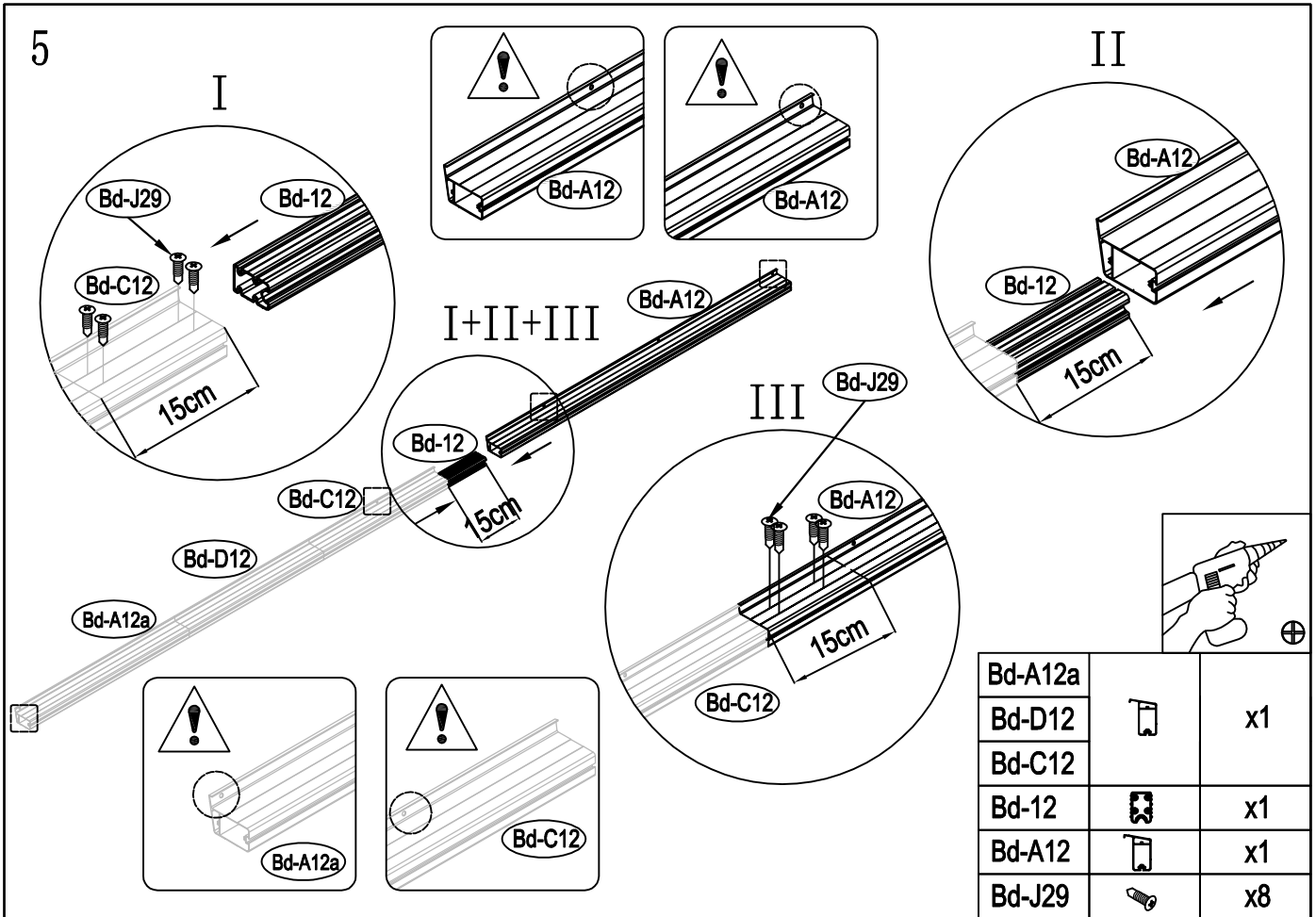


3



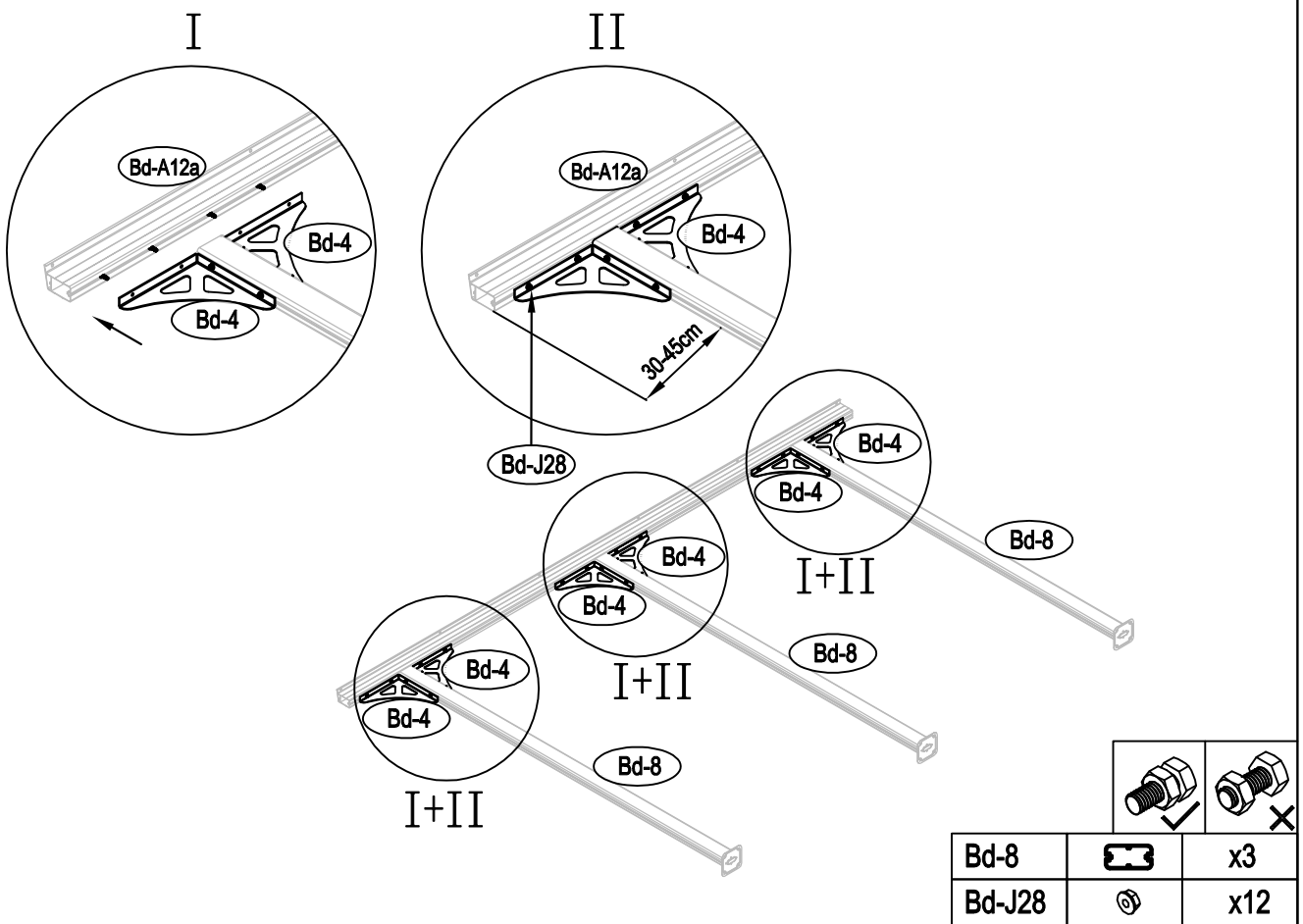
4



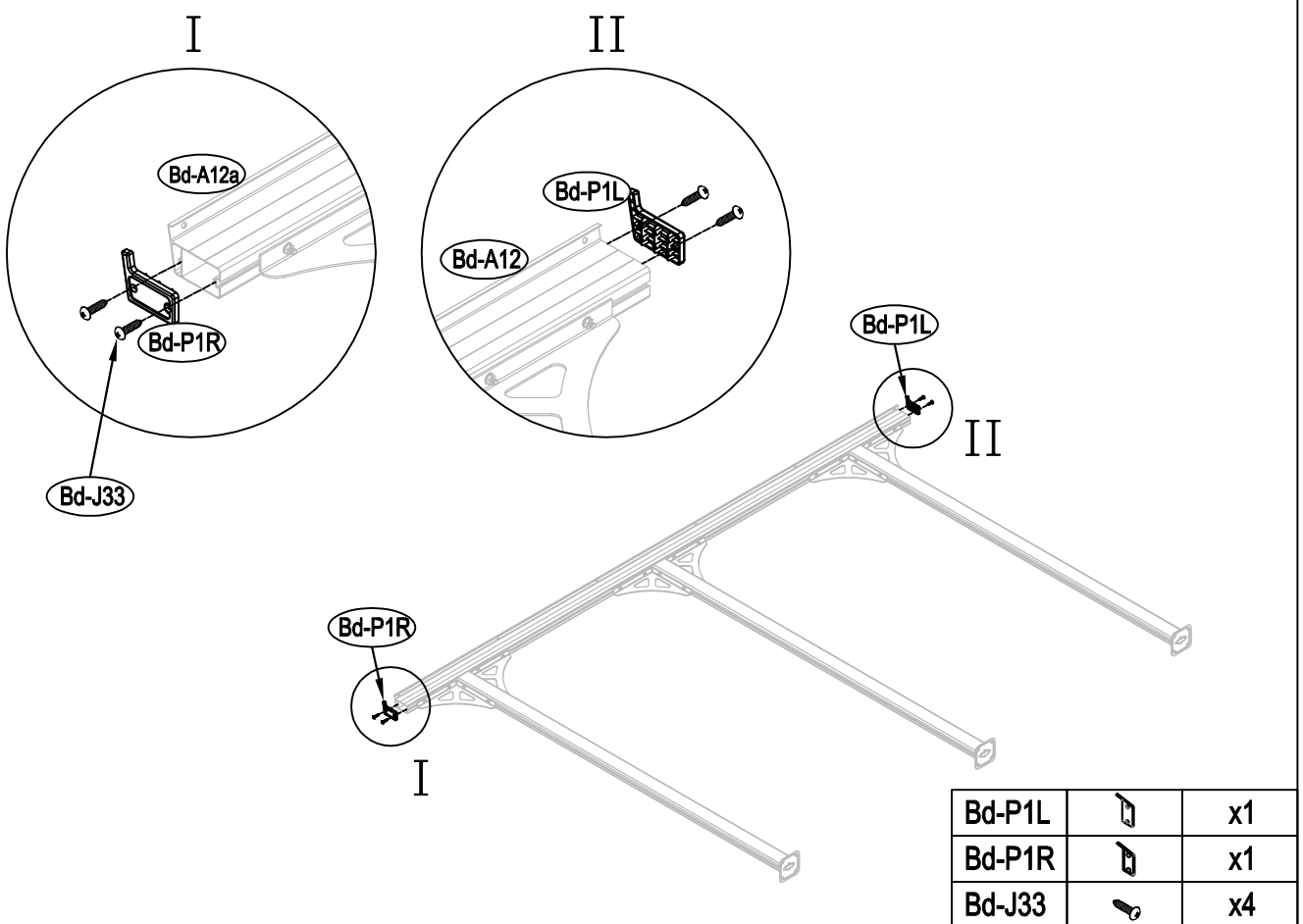




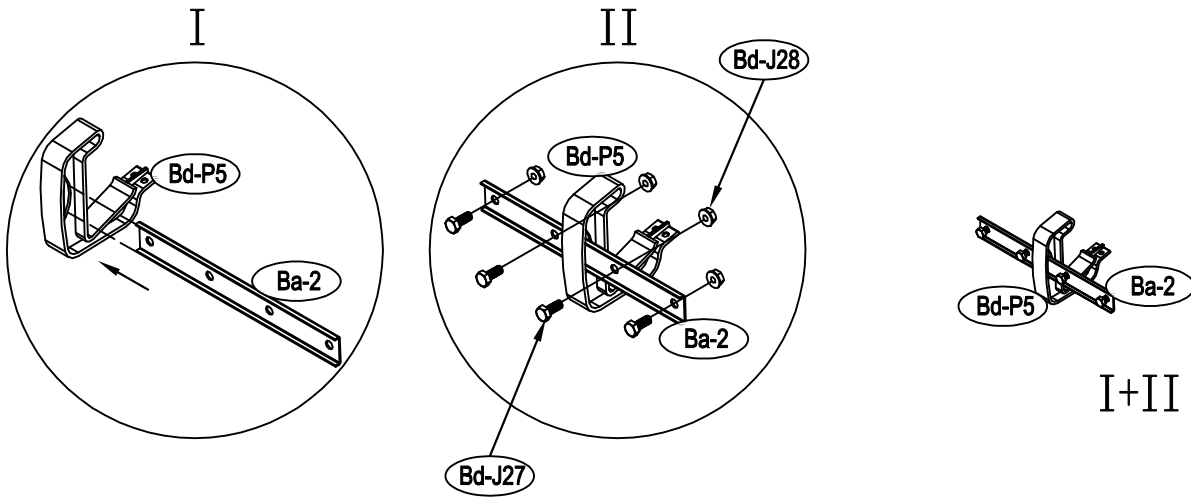
7



8



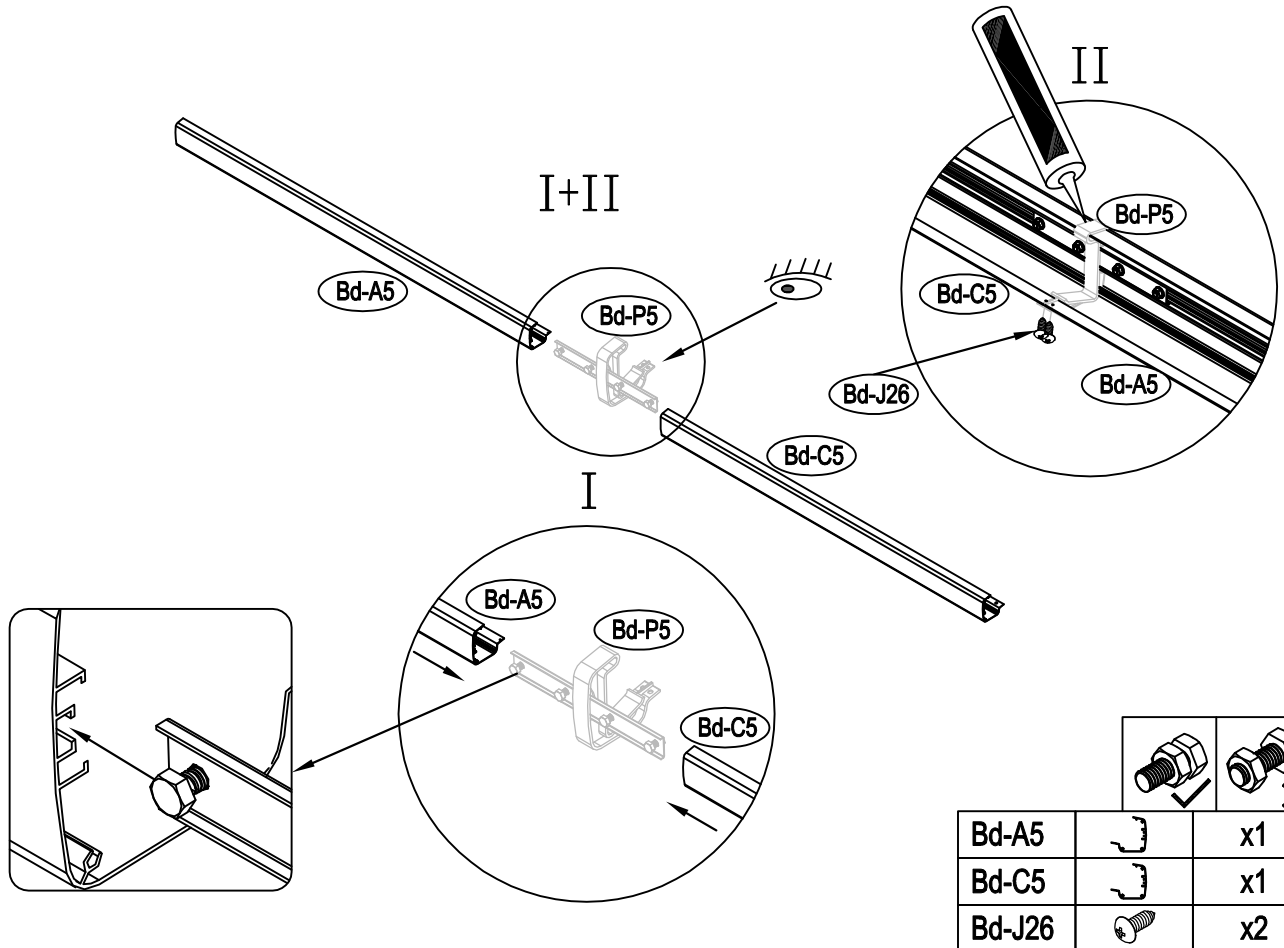
9



x3

Ba-2		x3
Bd-P5		x3
Bd-J27		x12
Bd-J28		x12

10

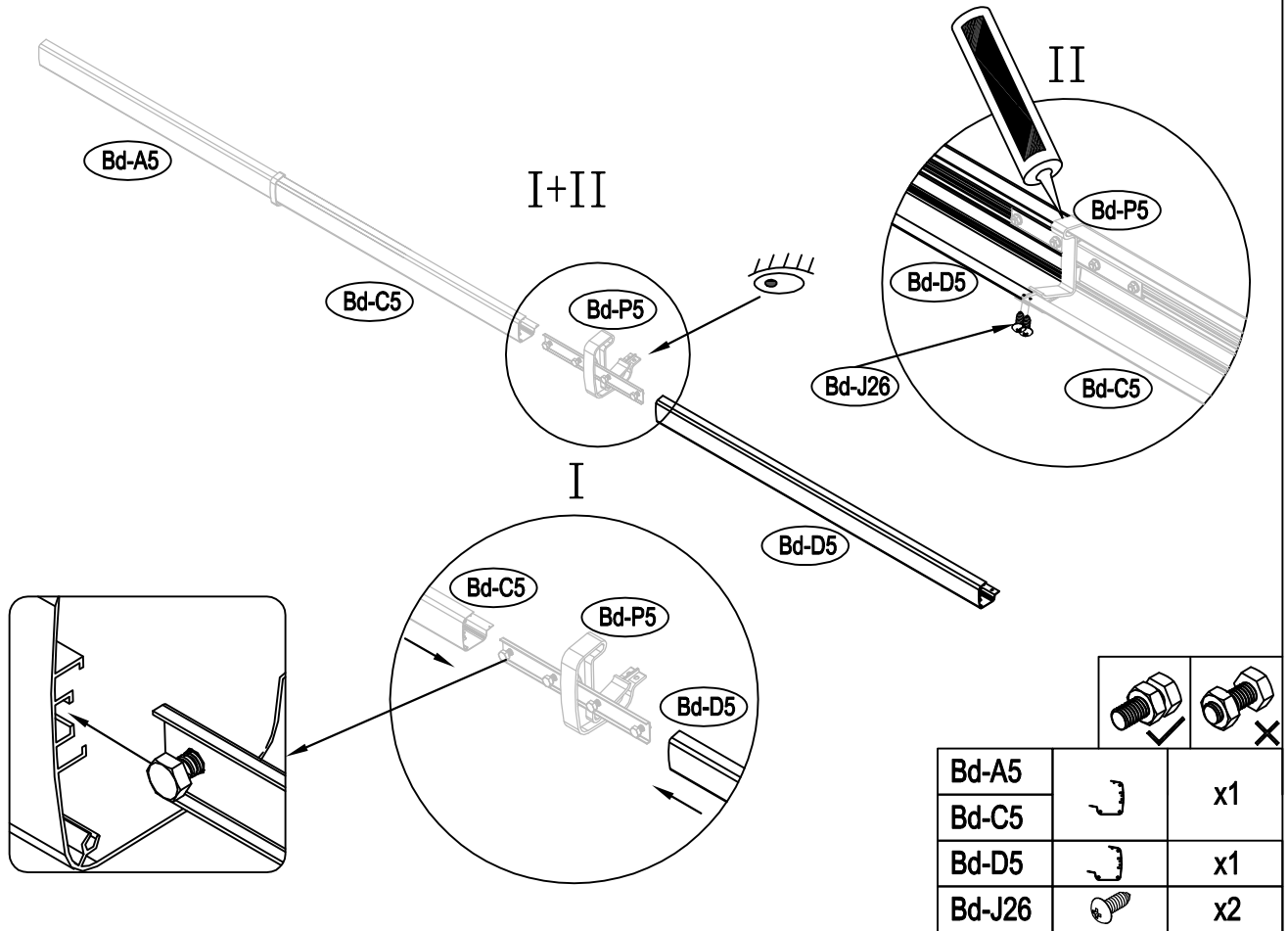


Bd-A5		x1
Bd-C5		x1
Bd-J26		x2

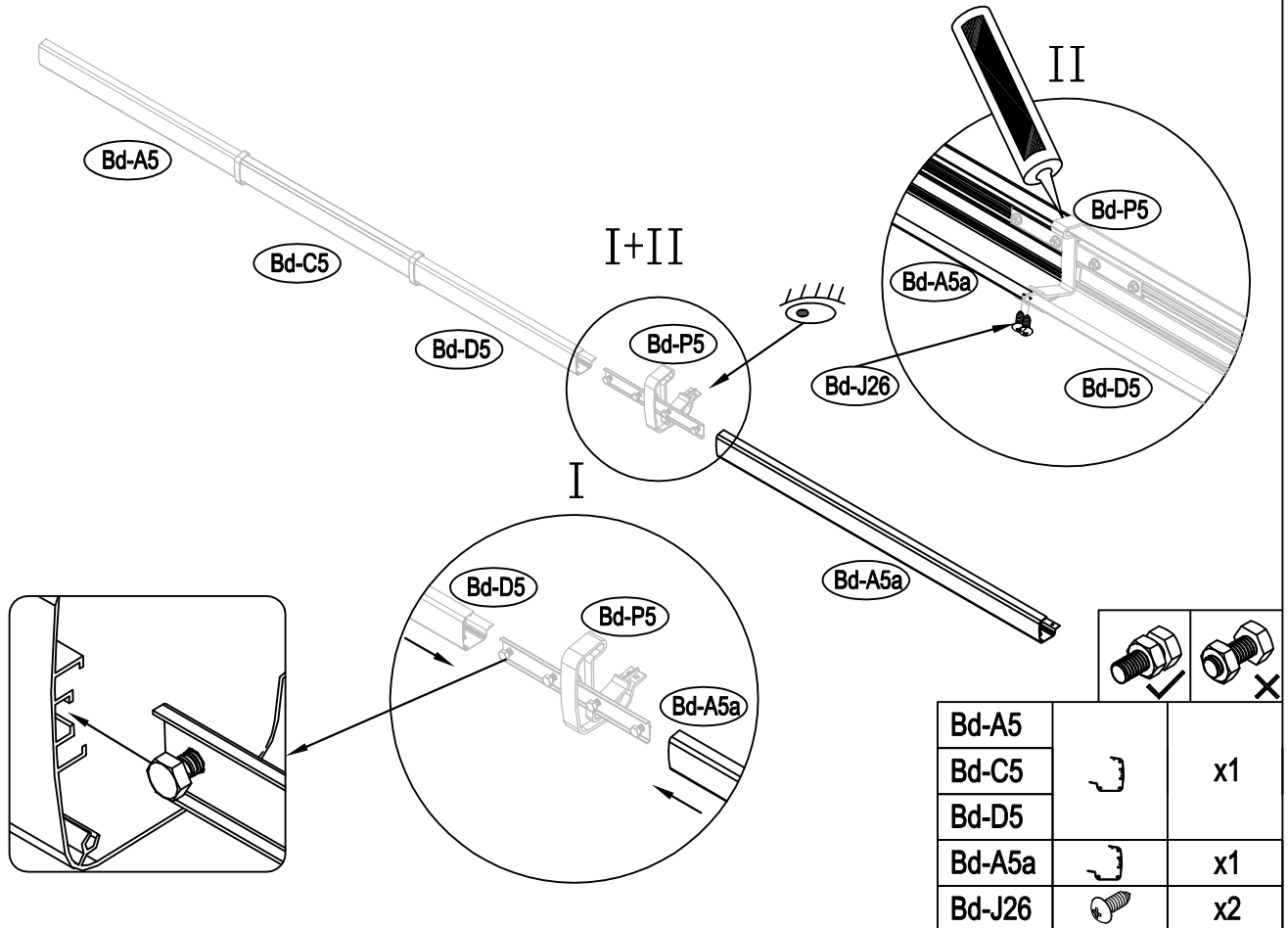
5



11

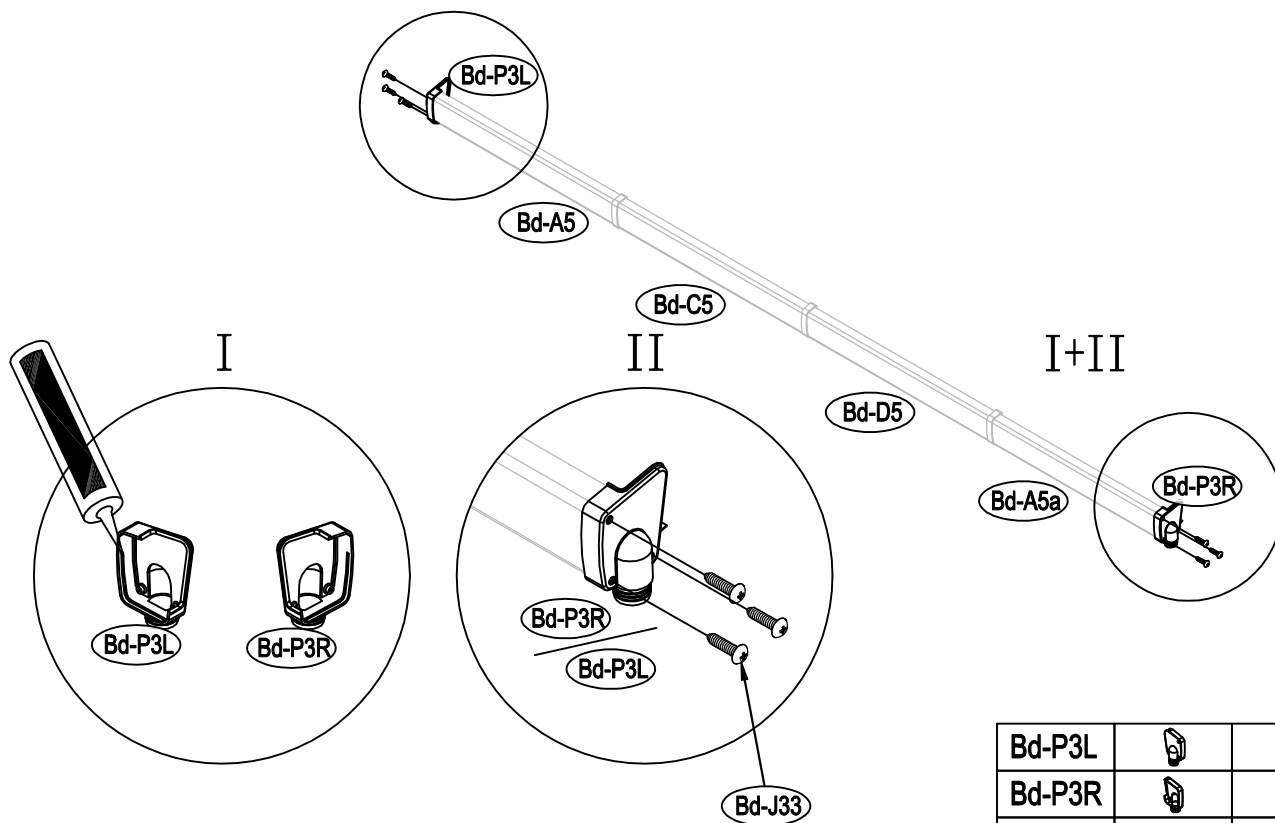





12



13

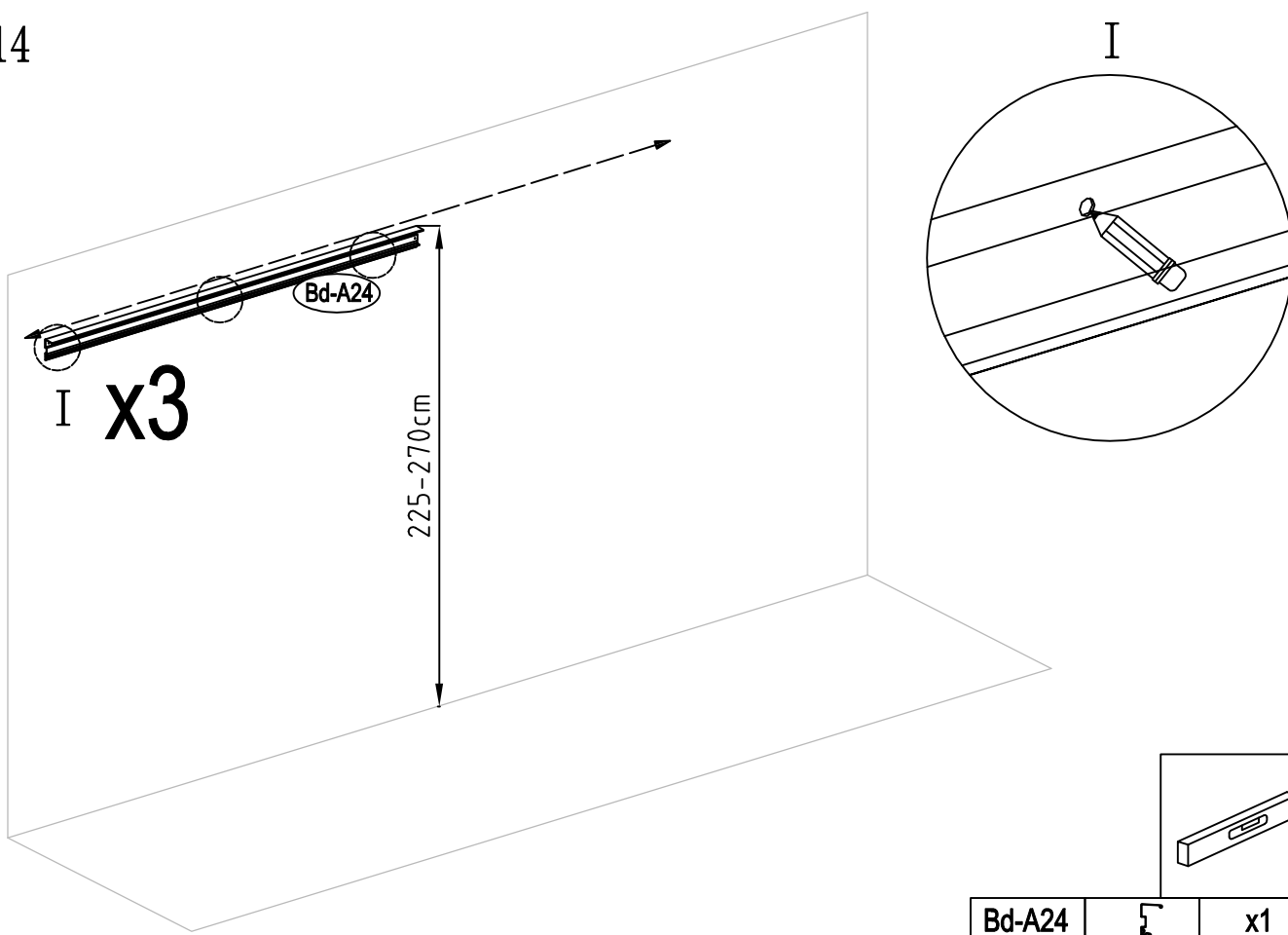
I+II




Bd-P3L		x1
Bd-P3R		x1
Bd-J33		x6

14

I



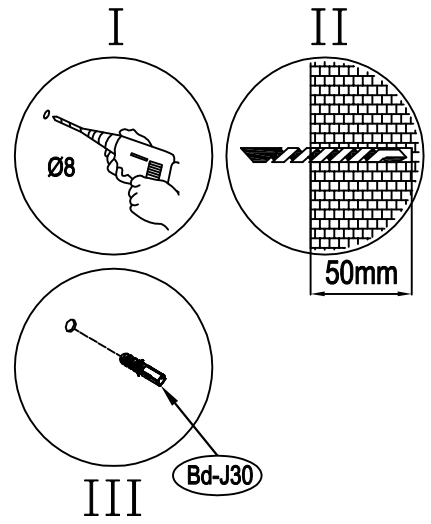
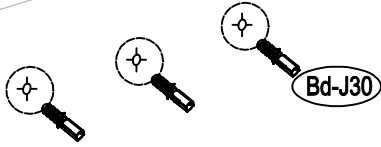
Bd-A24		x1
--------	---	----

7



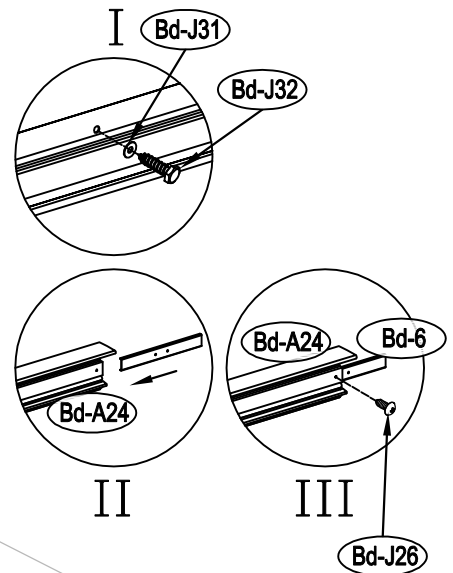
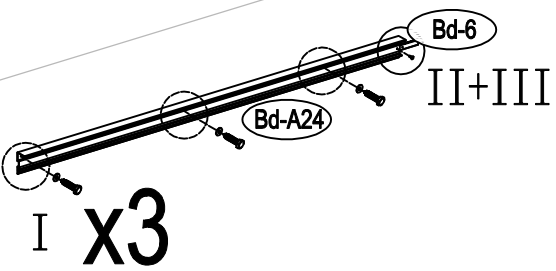
15

I+II+III x3



Bd-J30		x3
--------	--	----

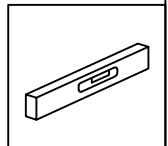
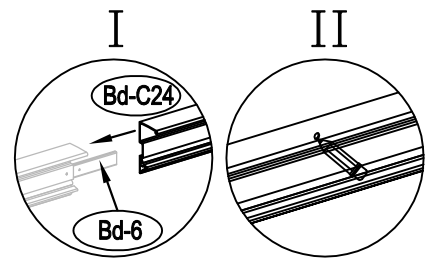
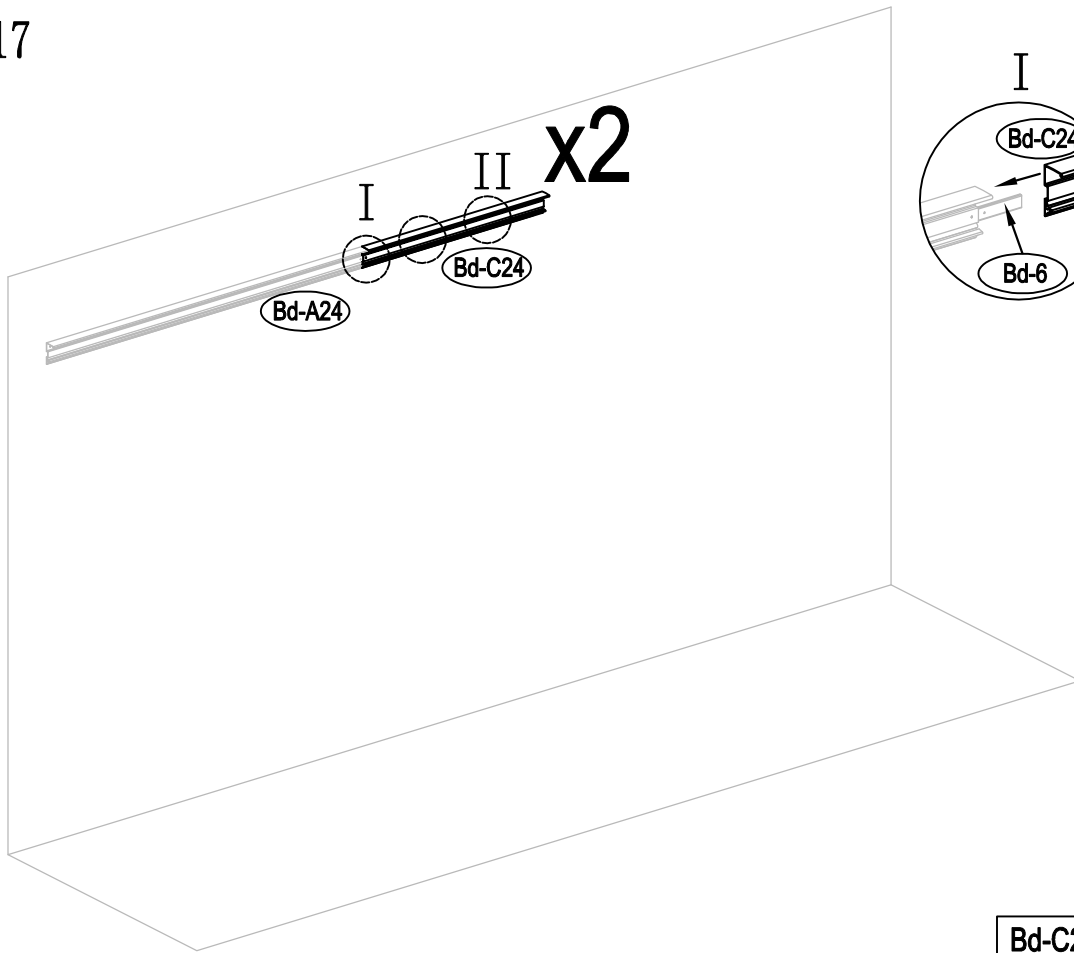
16



Bd-6		x1
Bd-J26		x1
Bd-J31		x3
Bd-J32		x3

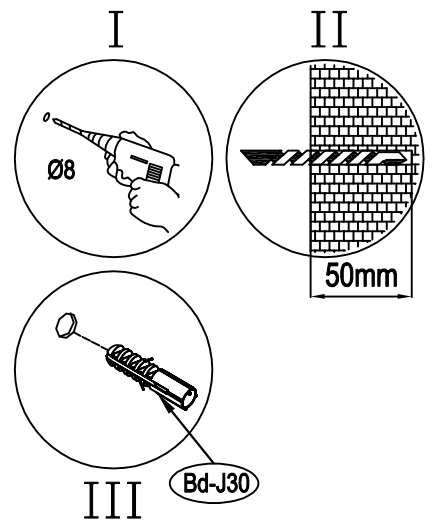
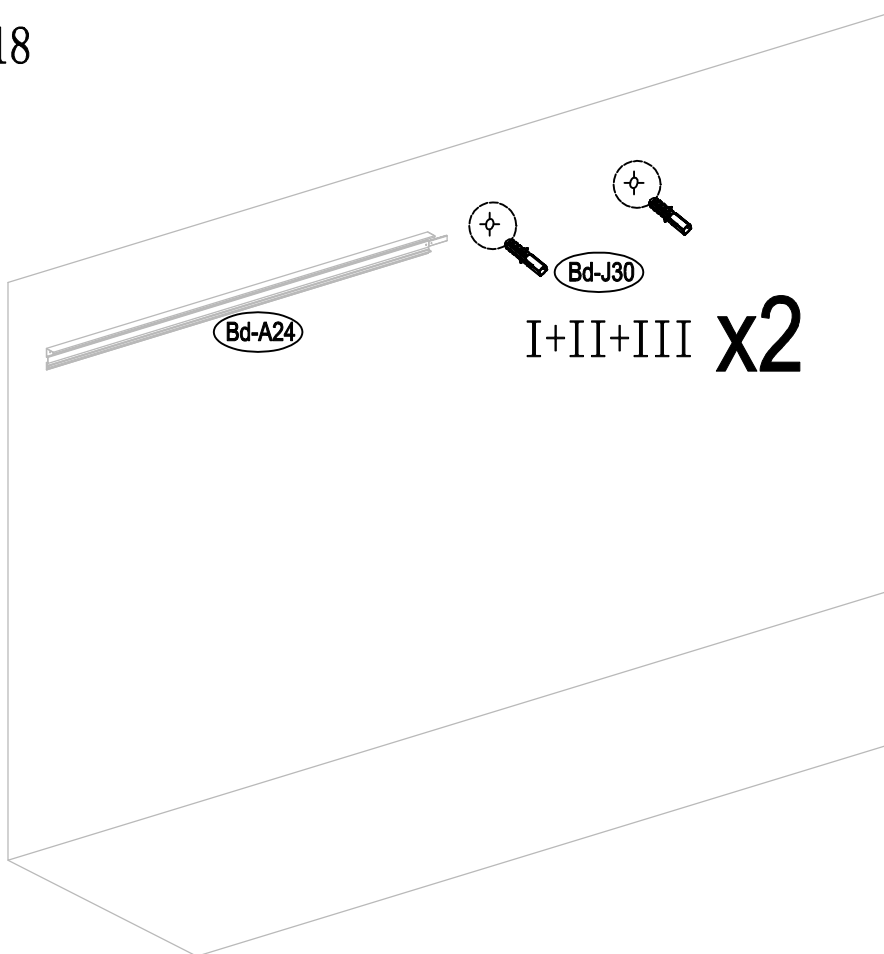


17



Bd-C24		x1
--------	--	----

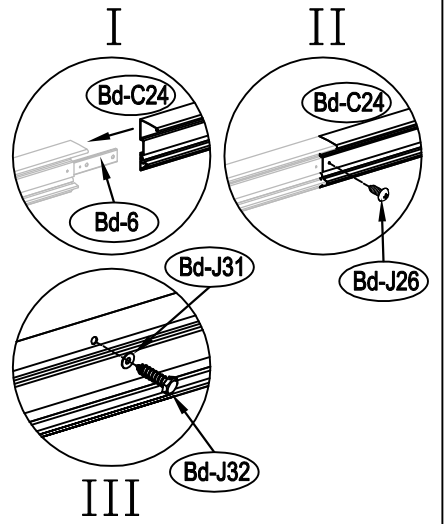
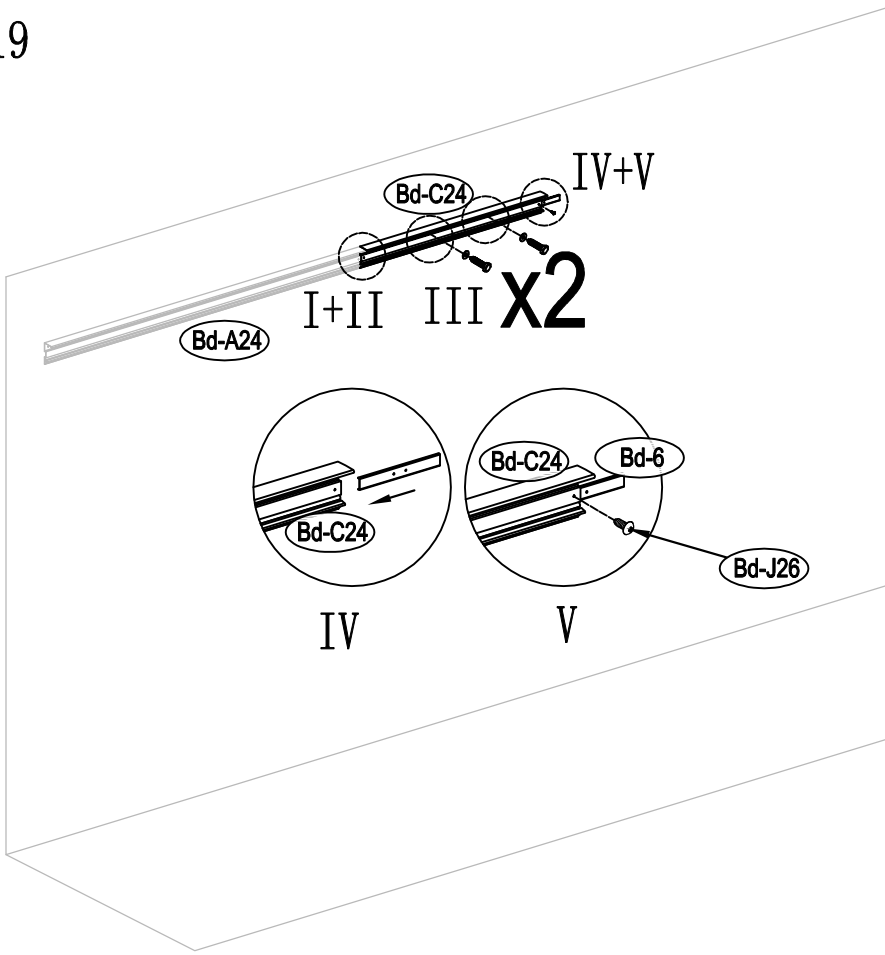
18



Bd-J30		x2
--------	--	----

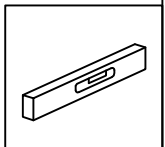
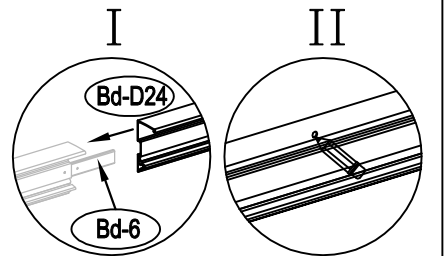
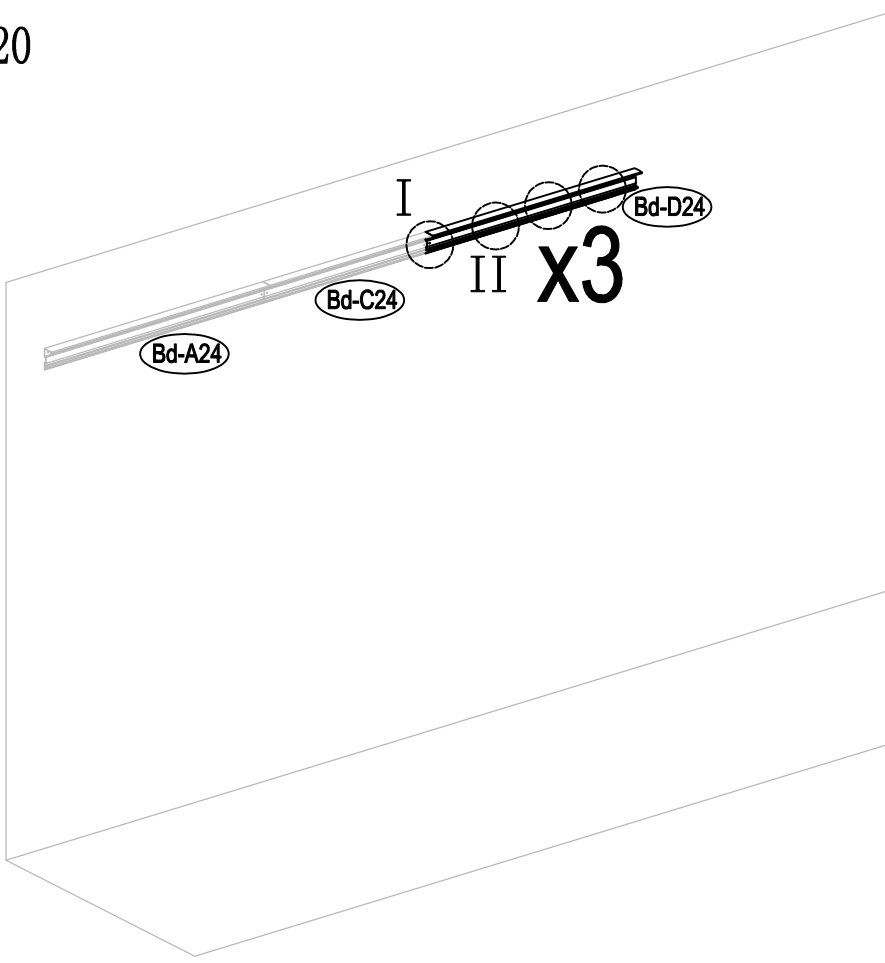


19



Bd-6		x1
Bd-C24		x1
Bd-J26		x2
Bd-J31		x2
Bd-J32		x2

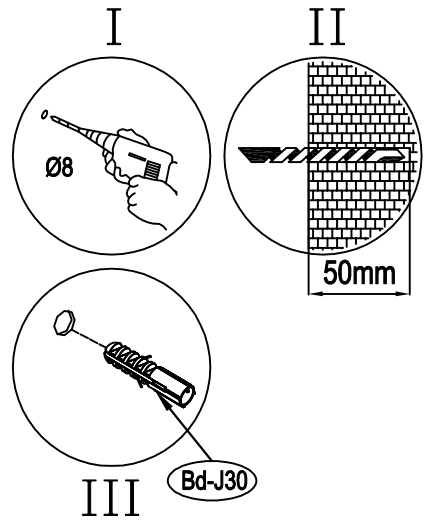
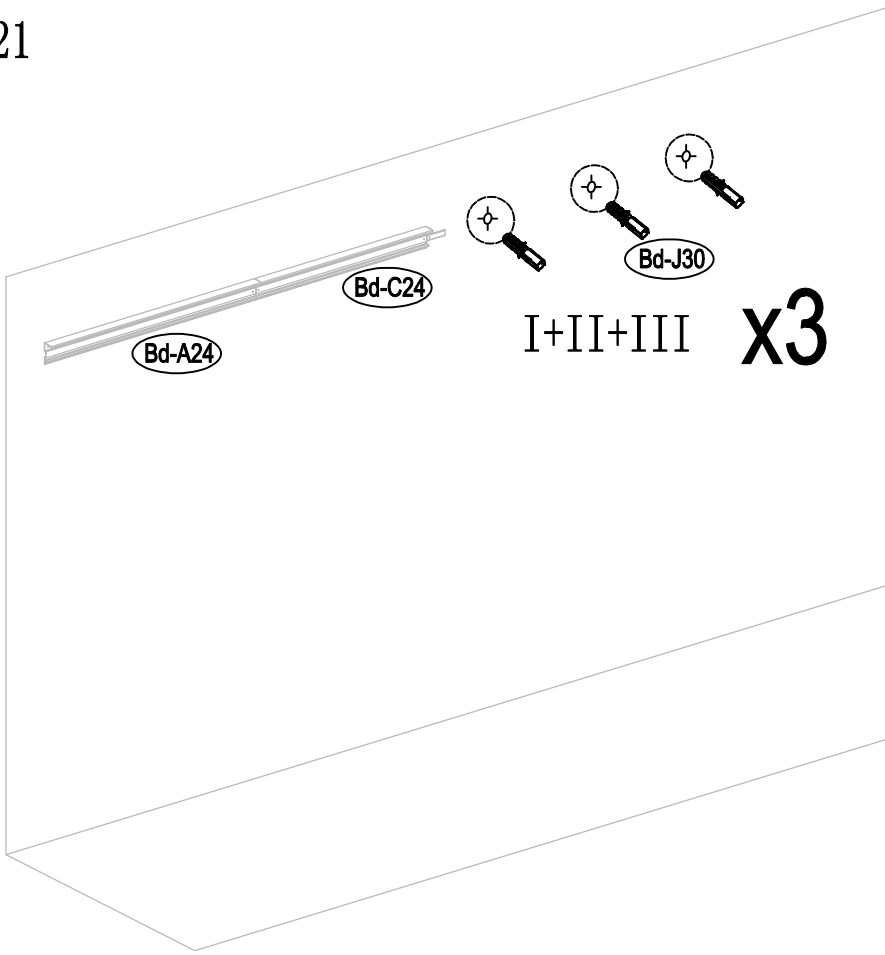
20



Bd-D24		x1
--------	--	----

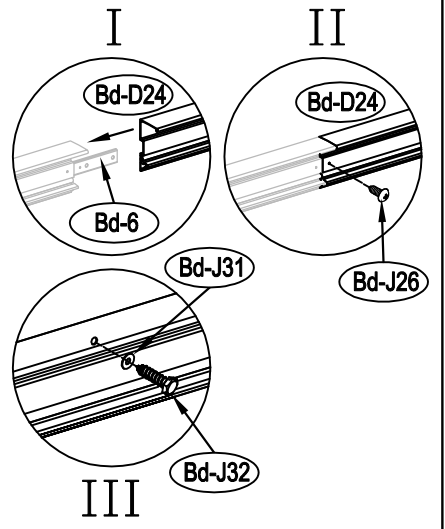
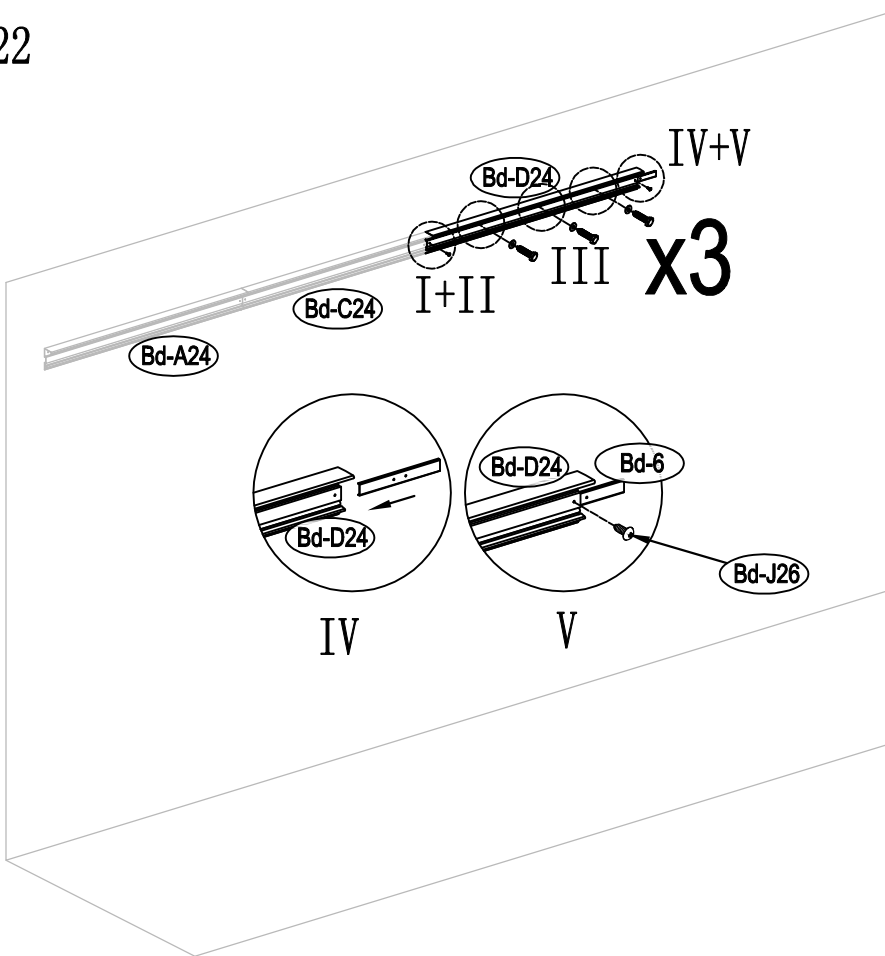





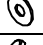

21



Bd-J30		x3
--------	---	----

22

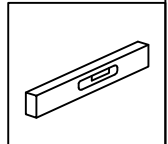
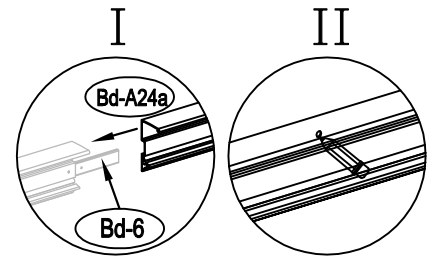
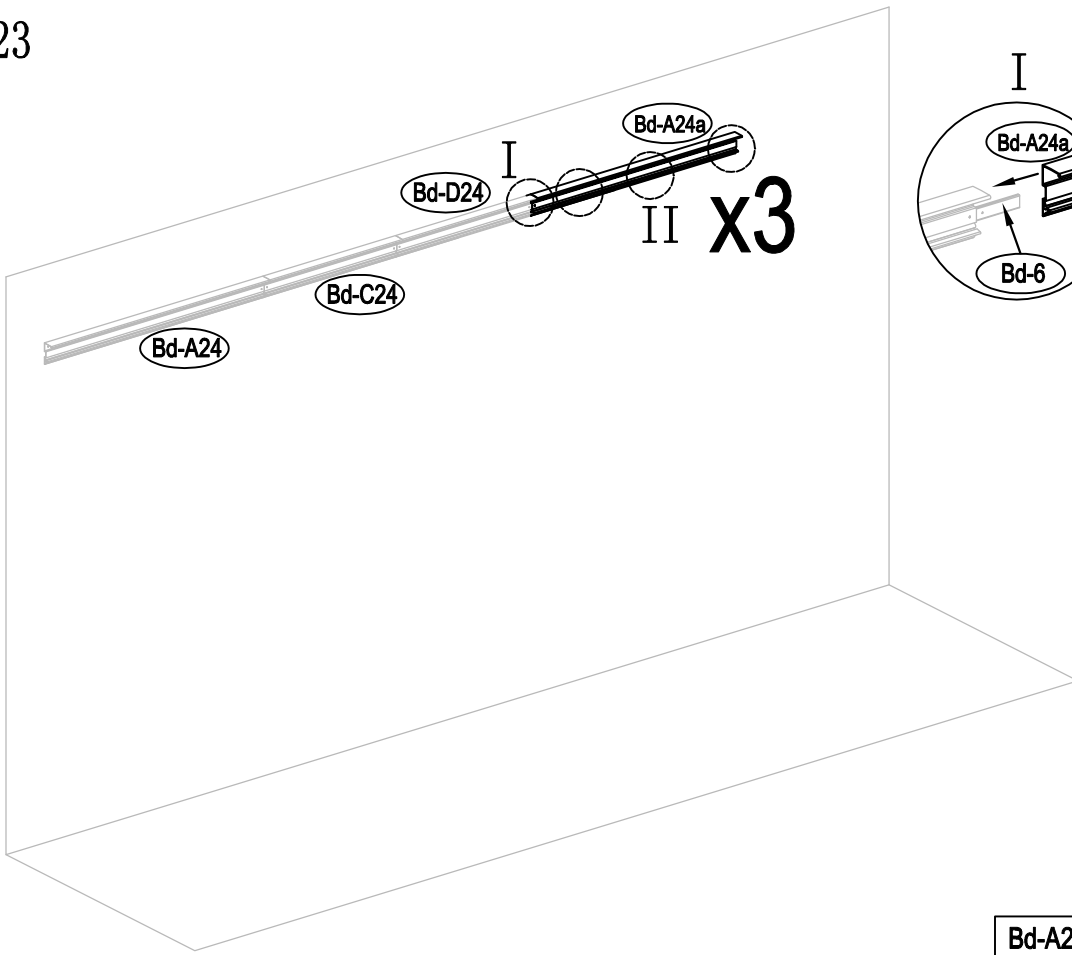


Bd-6		x1
Bd-D24		x1
Bd-J26		x2
Bd-J31		x2
Bd-J32		x2



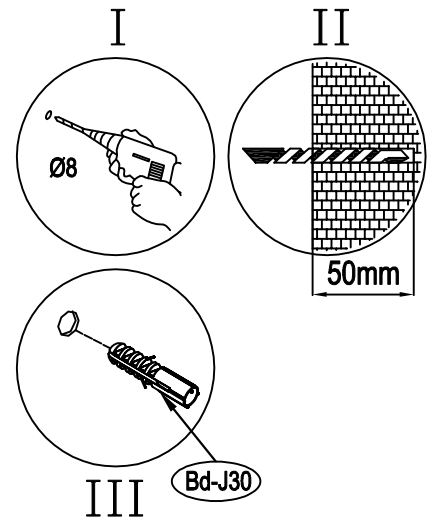
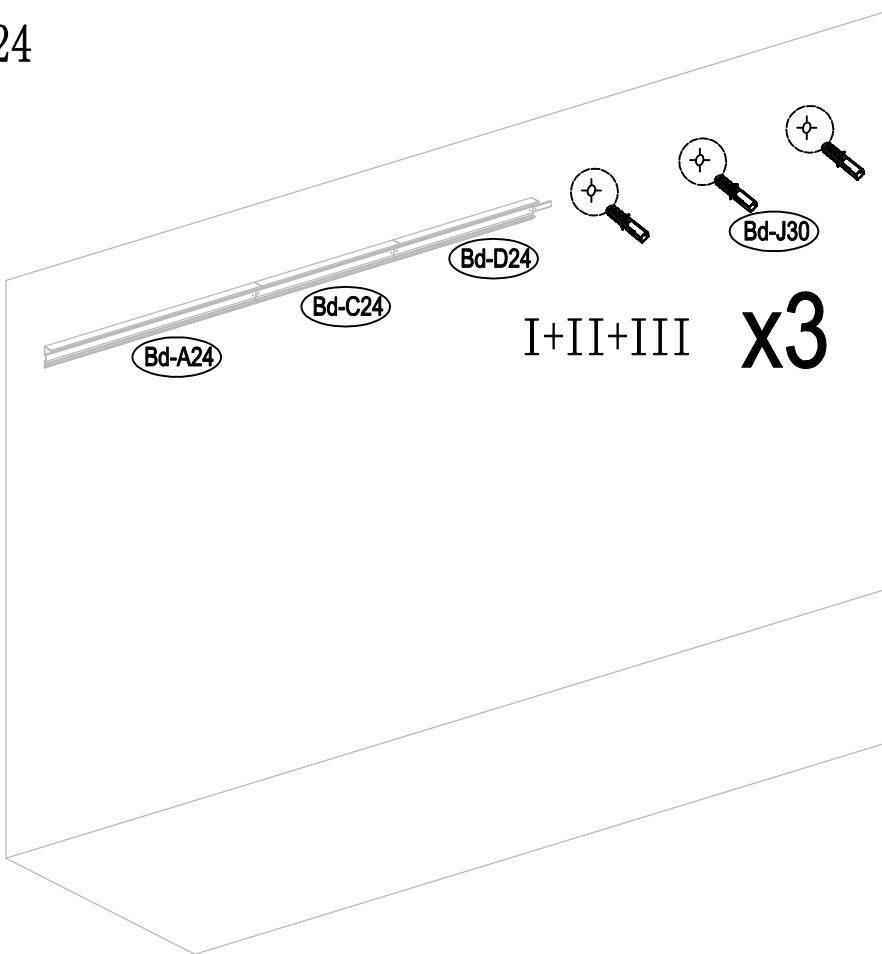


23



Bd-A24a		x1
---------	--	----

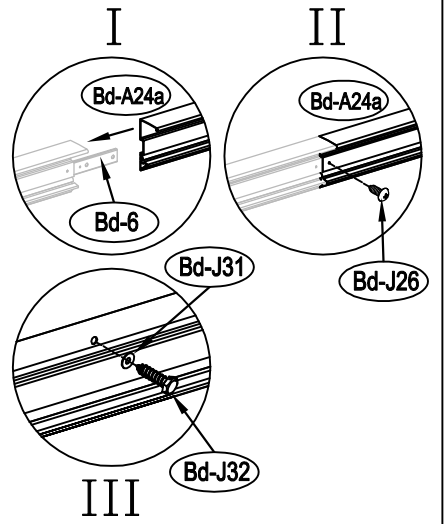
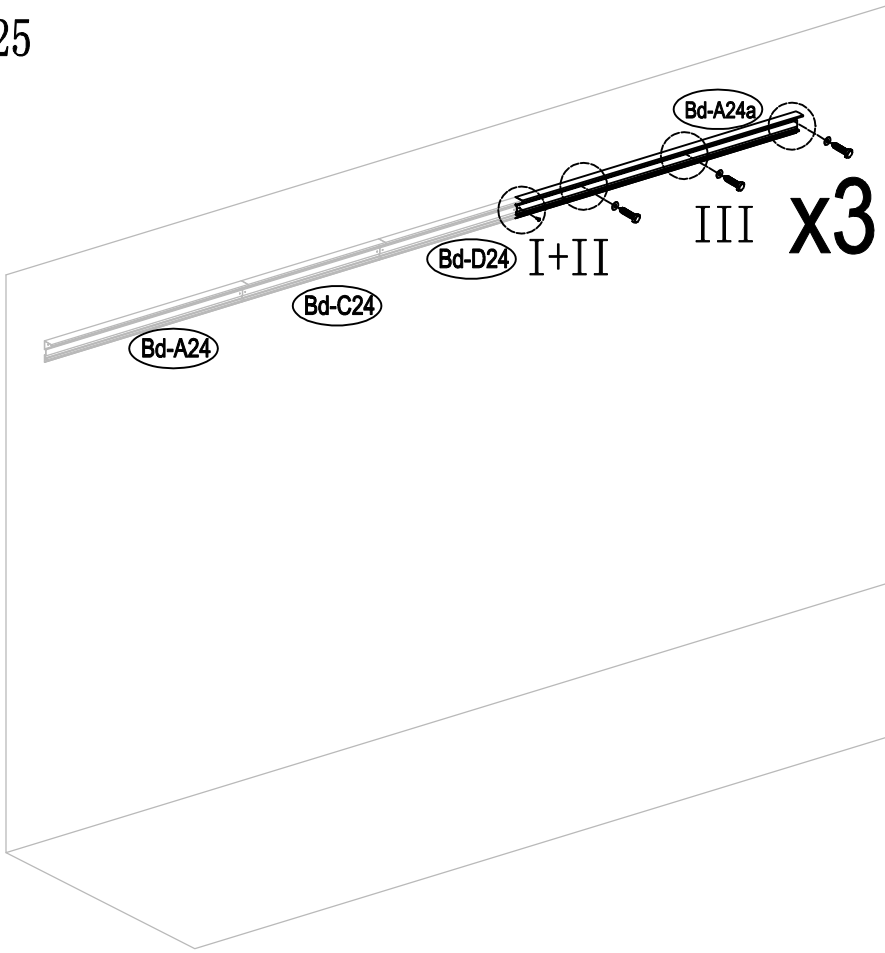
24



Bd-J30		x3
--------	--	----

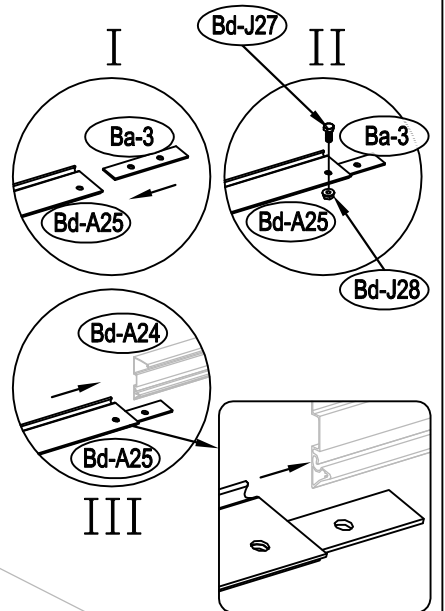
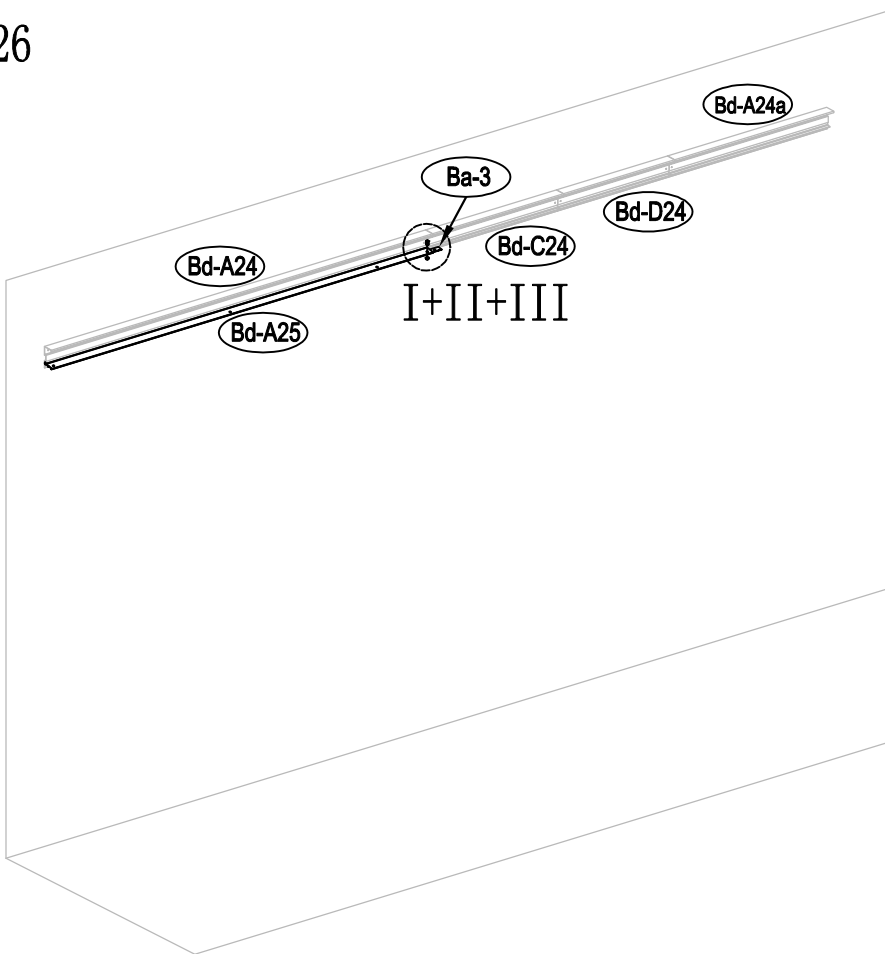


25



Bd-A24a		x1
Bd-J26		x1
Bd-J31		x3
Bd-J32		x3

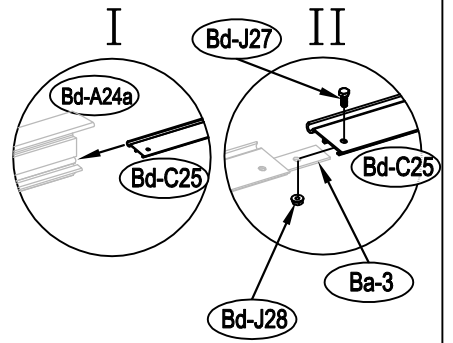
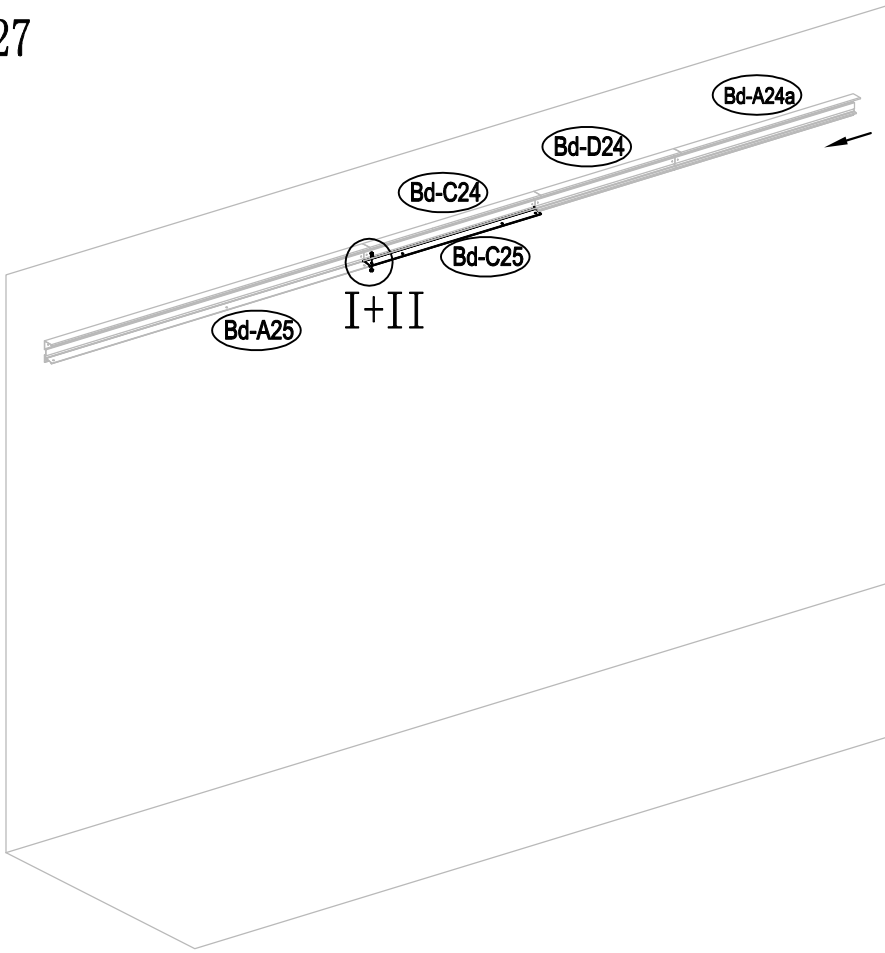
26



Ba-3		x1
Bd-A25		x1
Bd-J27		x1
Bd-J28		x1

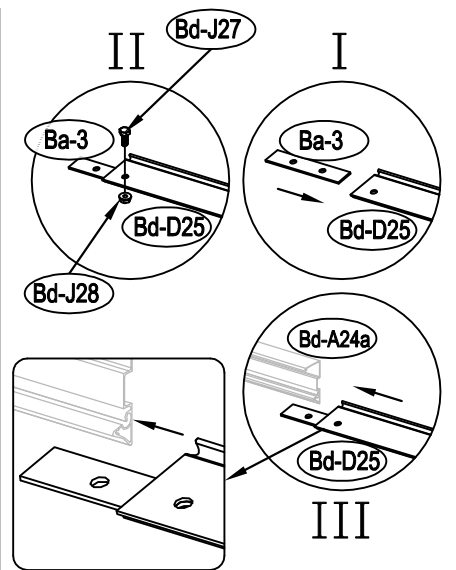
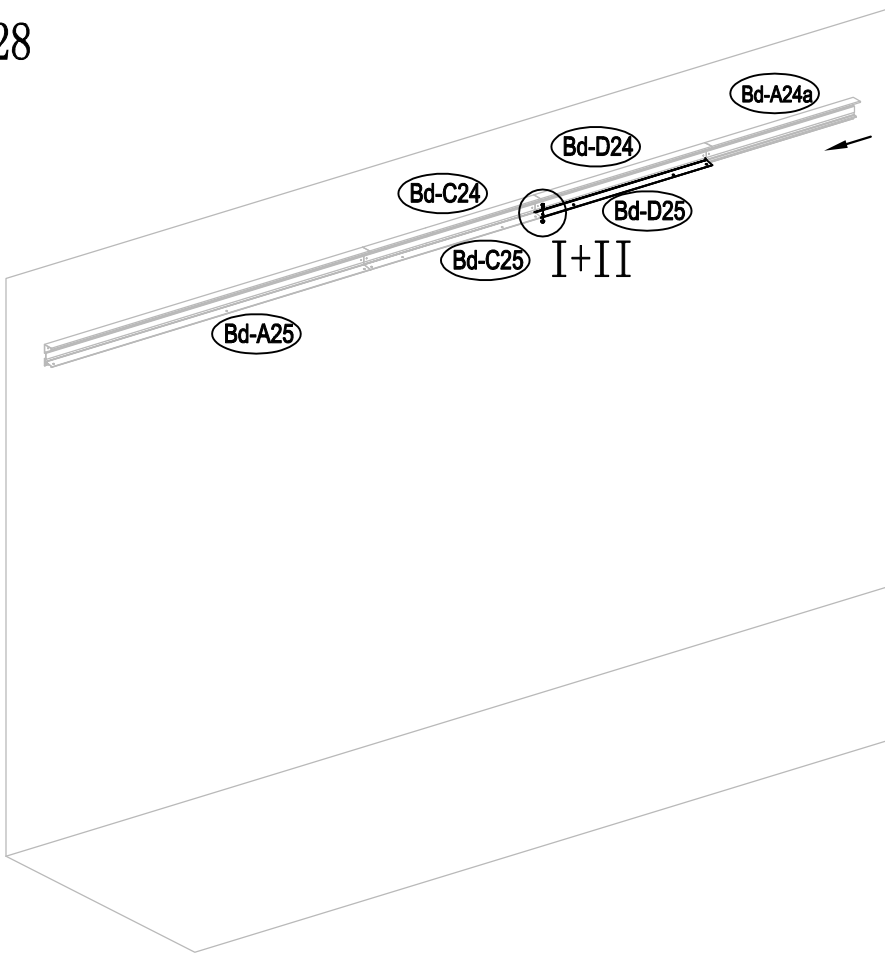


27



Bd-C25		x1
Bd-J27		x1
Bd-J28		x1

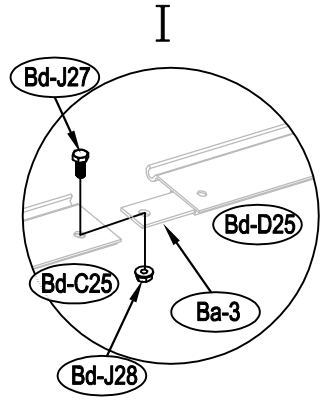
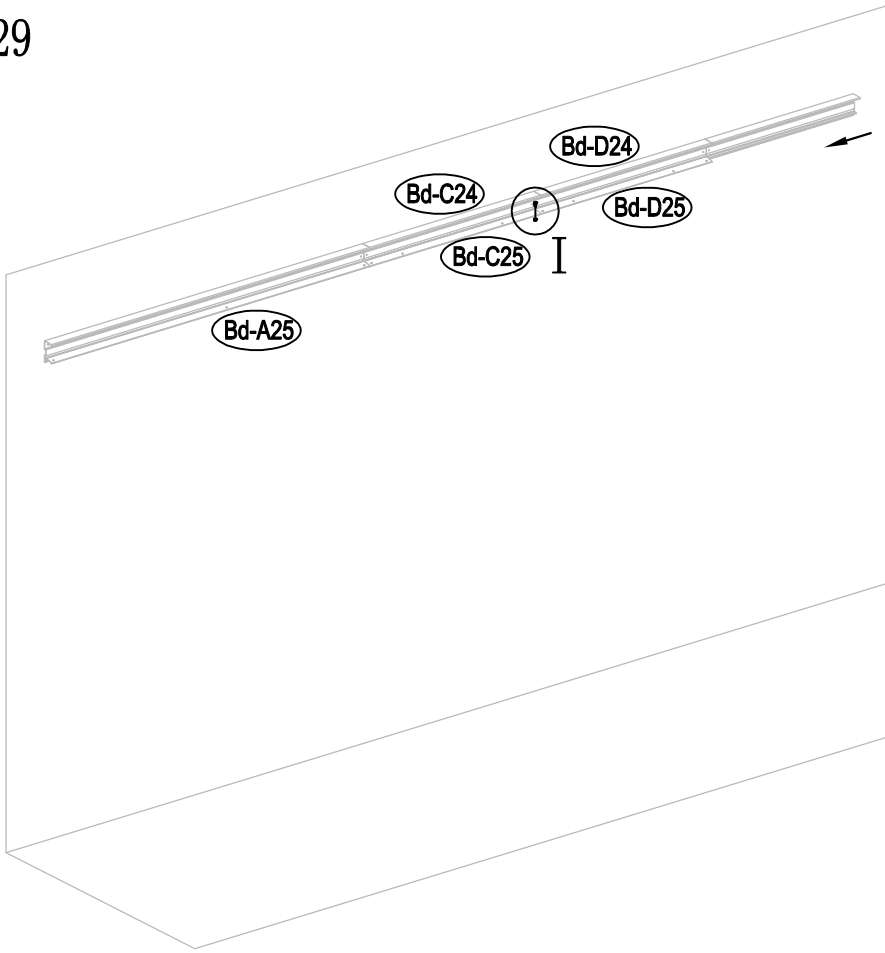
28





Ba-3		x1
Bd-D25		x1
Bd-J27		x1
Bd-J28		x1

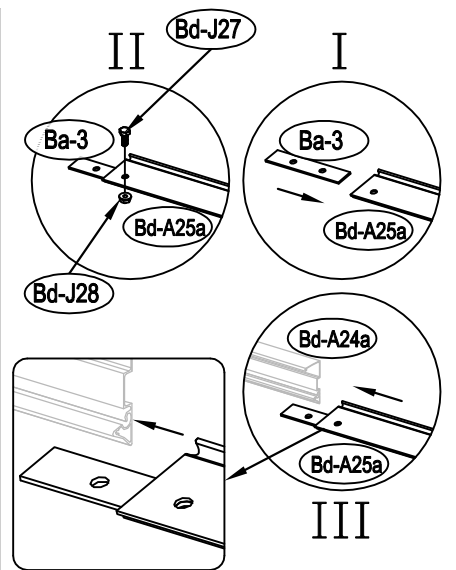
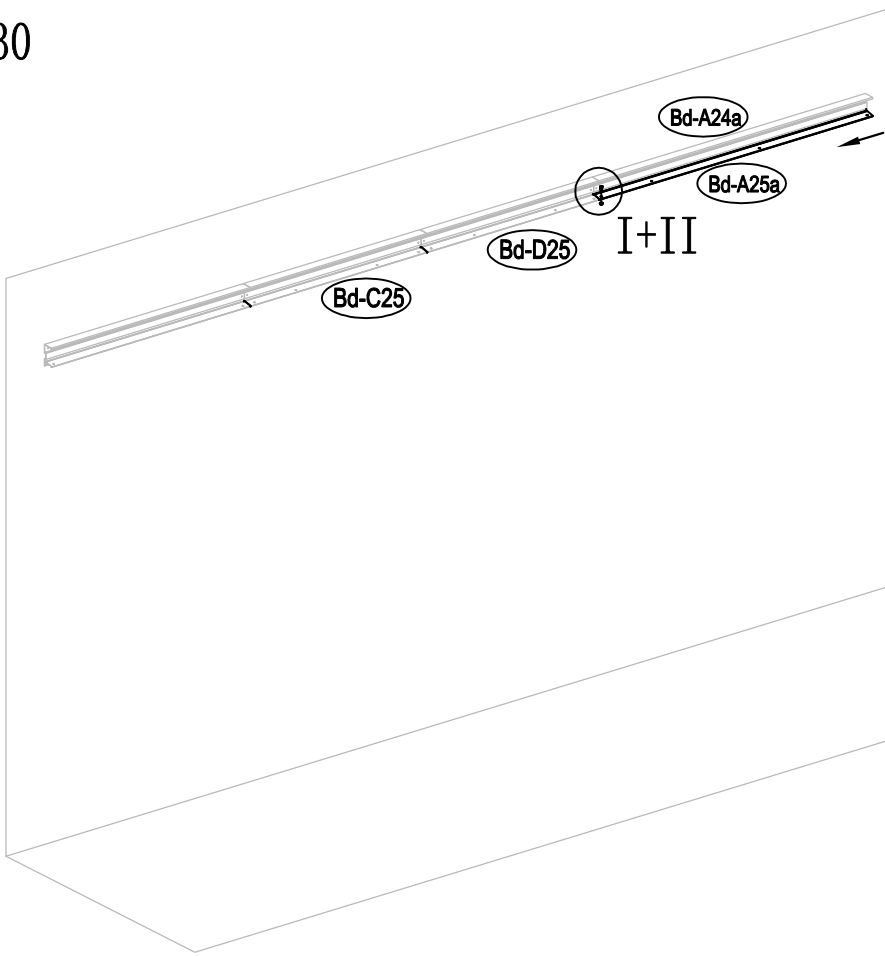



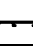


29



Bd-J27		x1
Bd-J28		x1

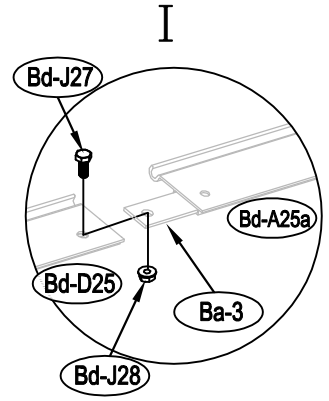
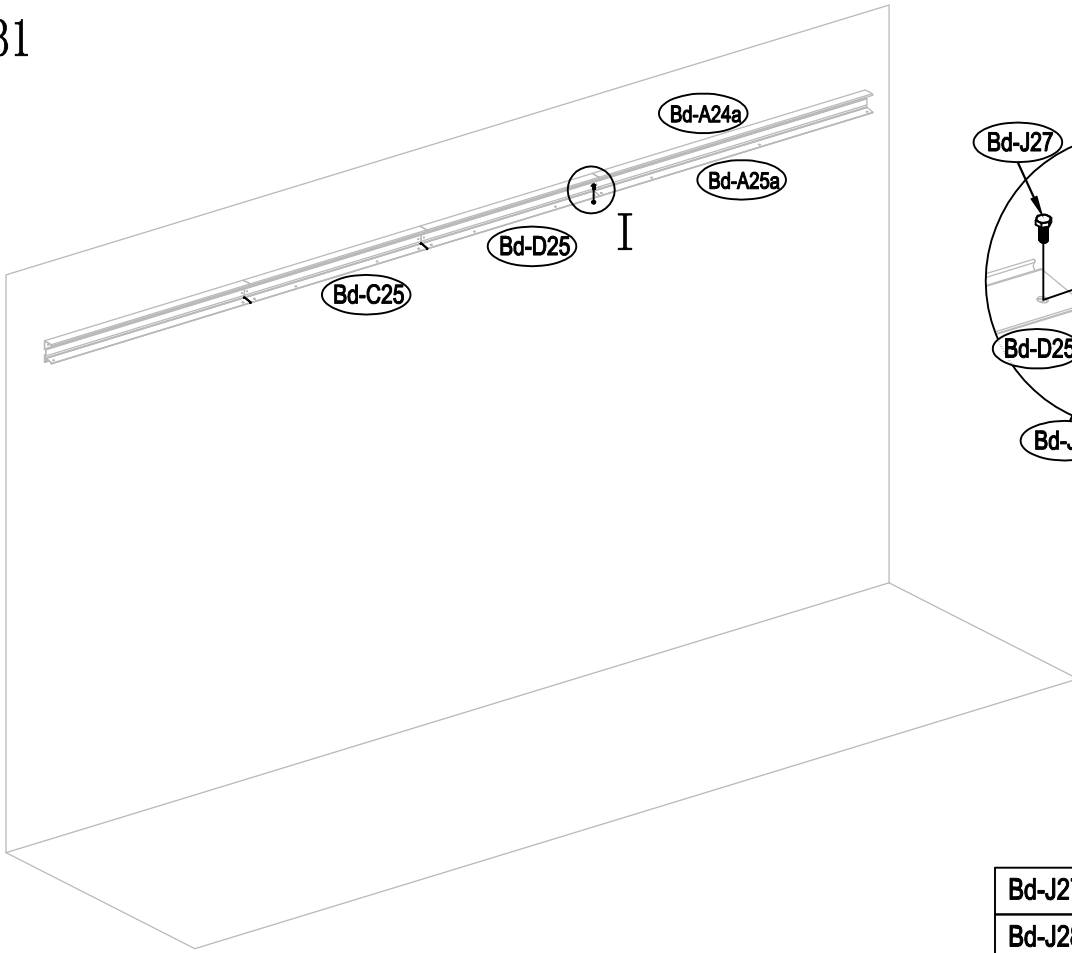
30



Ba-3		x1
Bd-A25a		x1
Bd-J27		x1
Bd-J28		x1

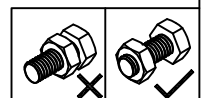
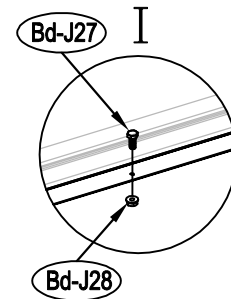
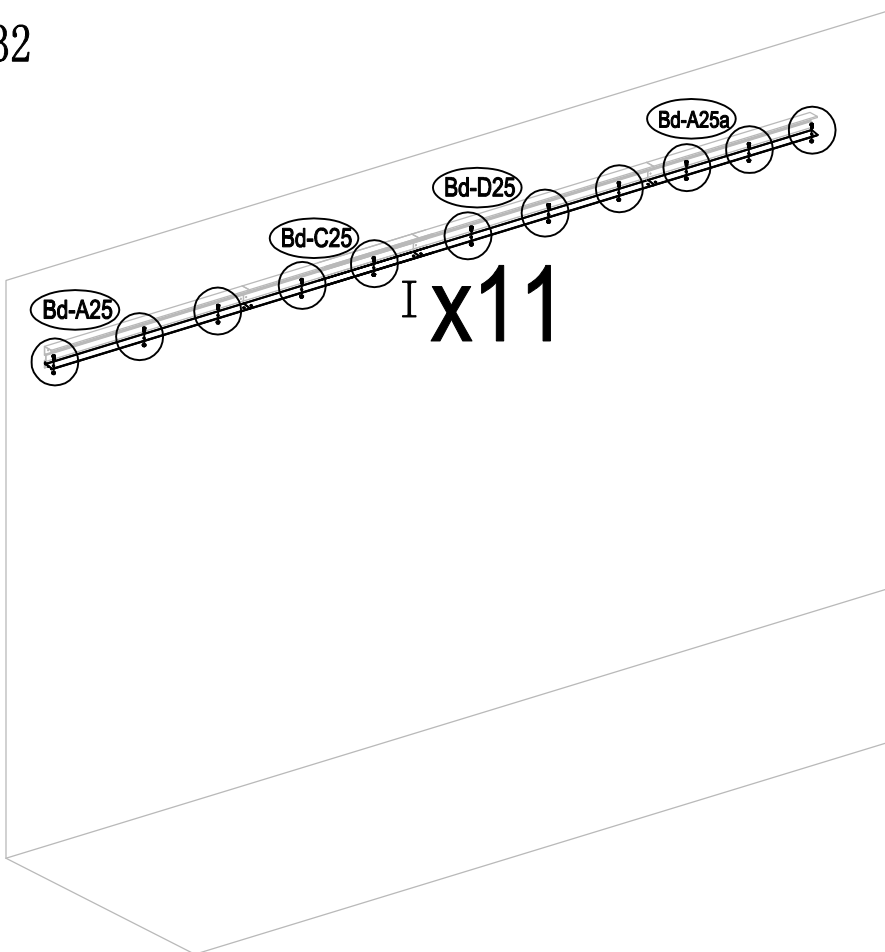


31



Bd-J27		x1
Bd-J28		x1

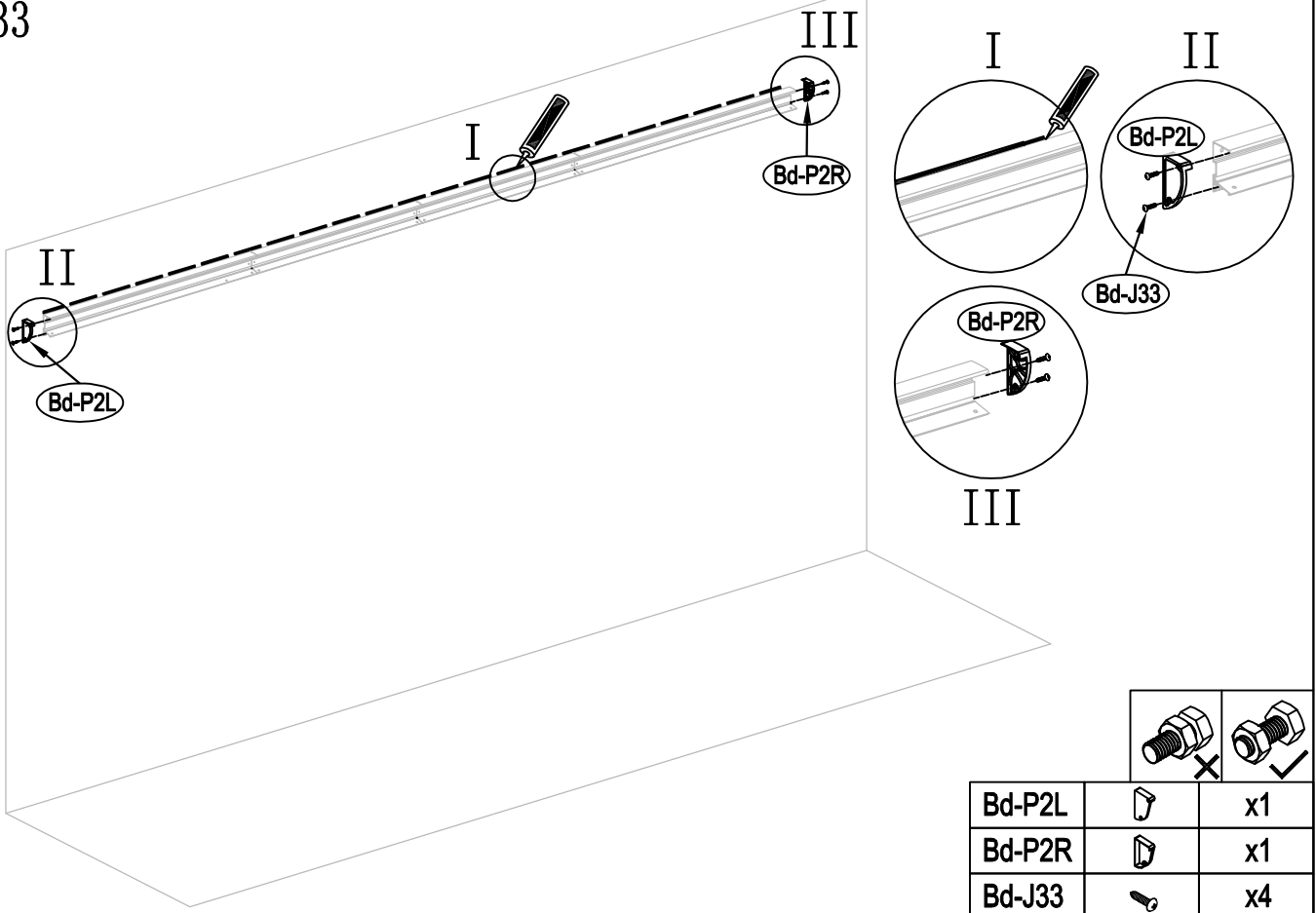
32



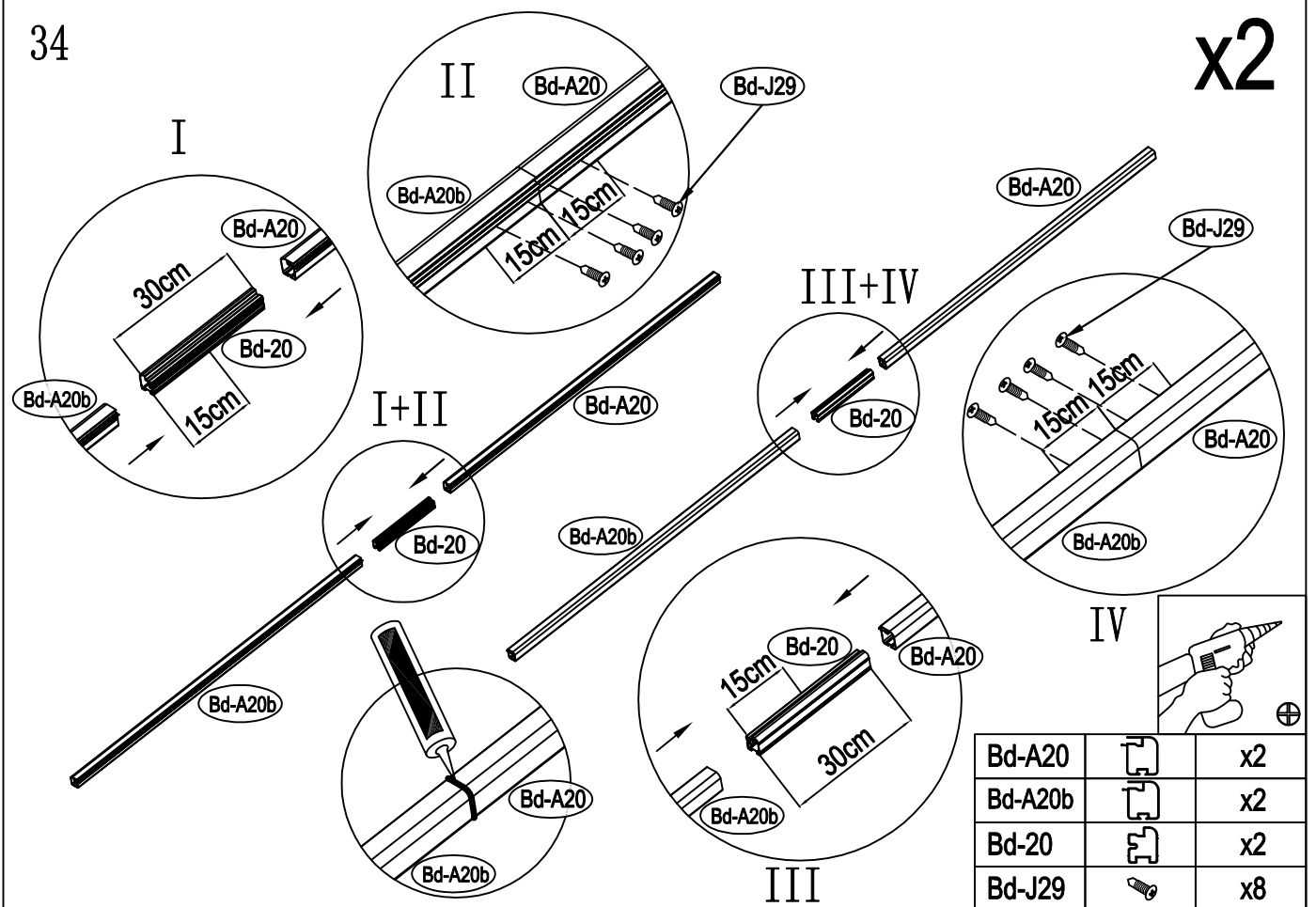
Bd-J27		x11
Bd-J28		x11



33

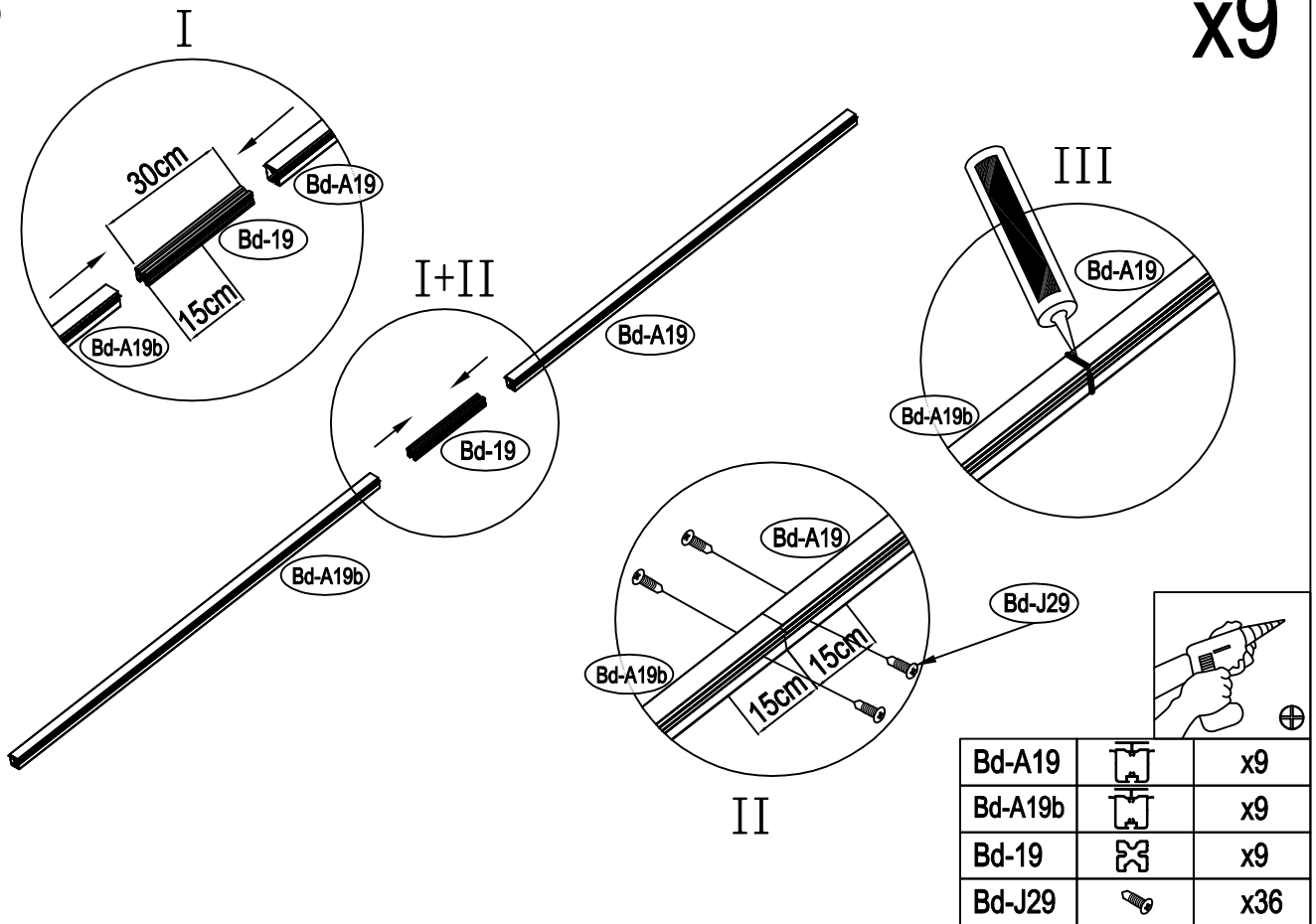


34



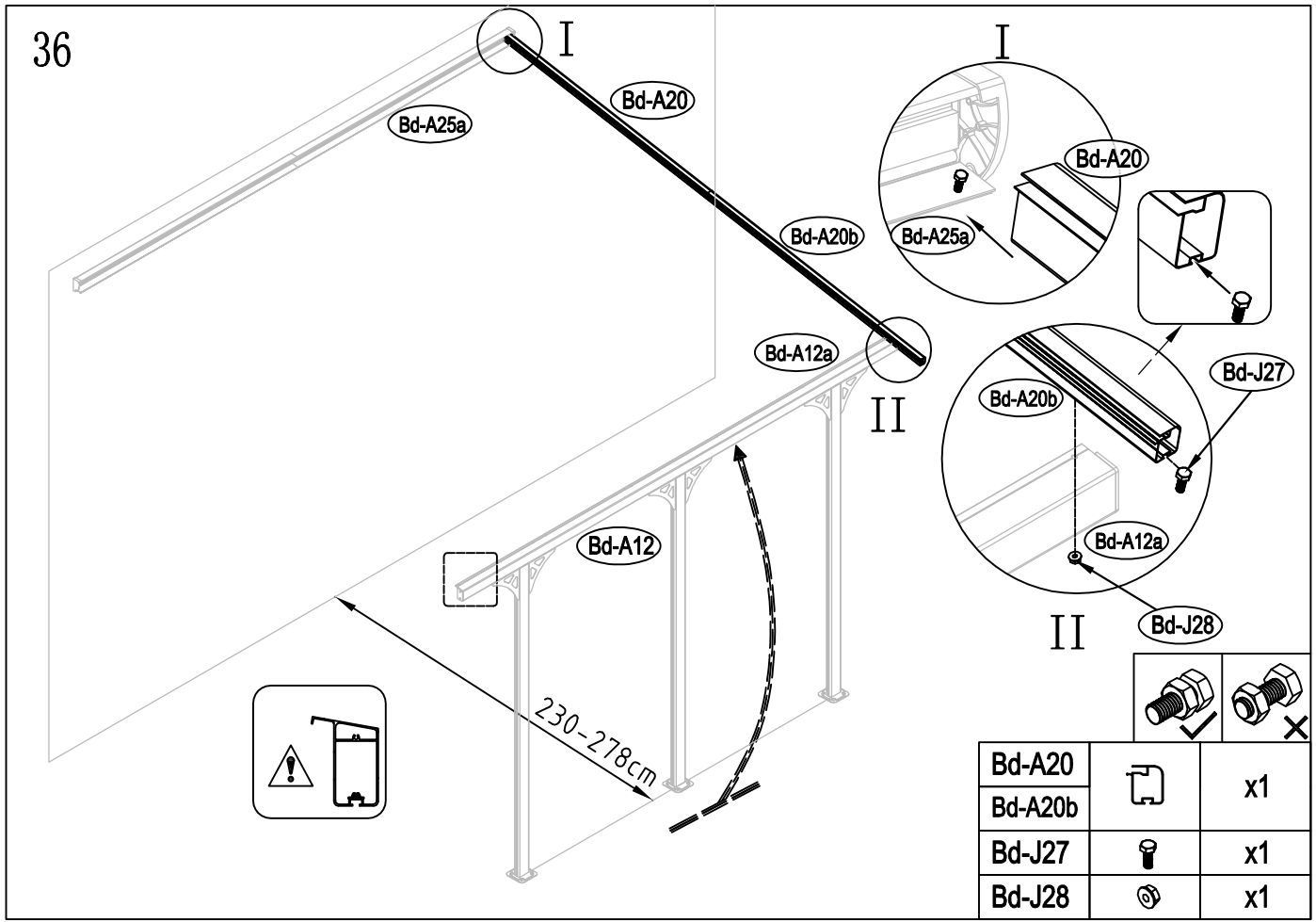
35

x9



Bd-A19		x9
Bd-A19b		x9
Bd-19		x9
Bd-J29		x36

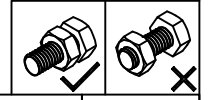
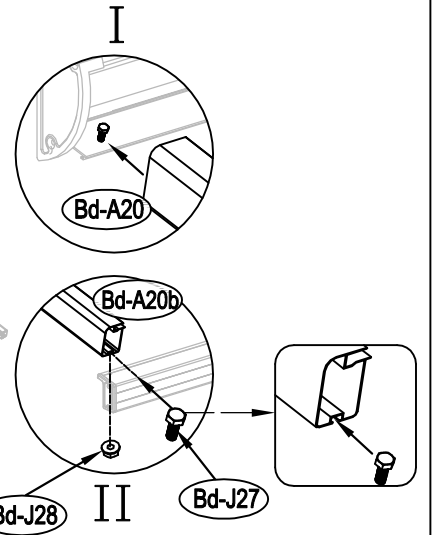
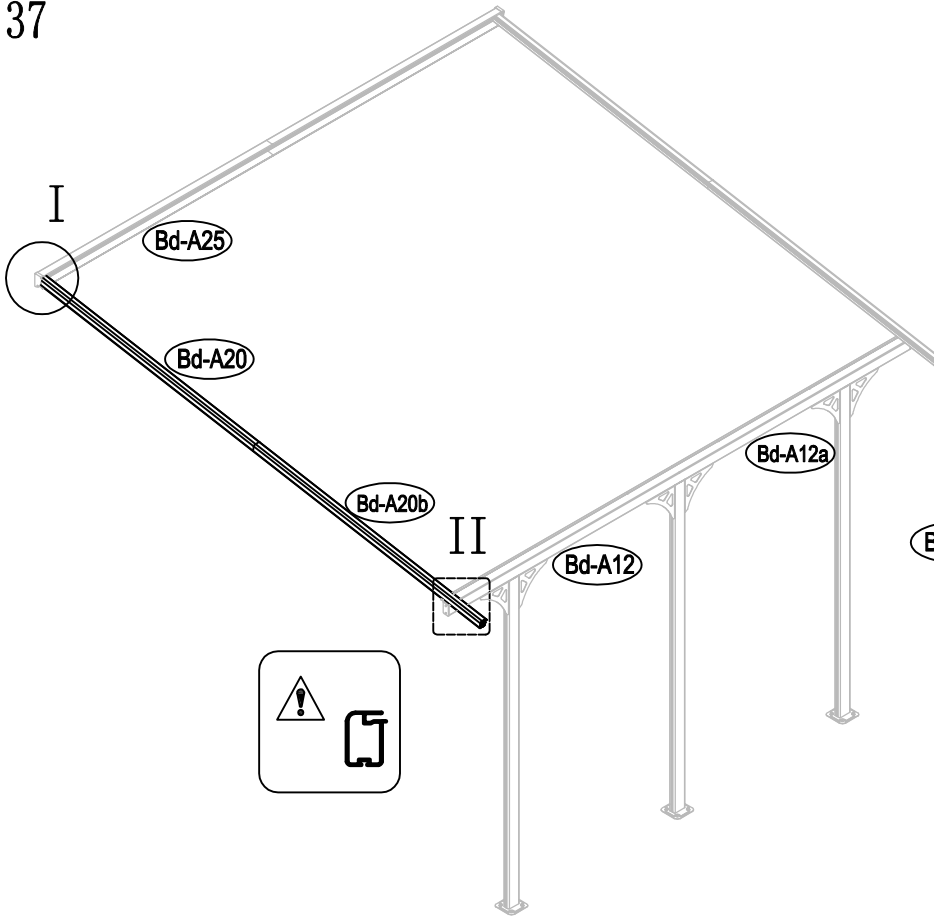
36



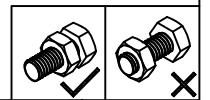
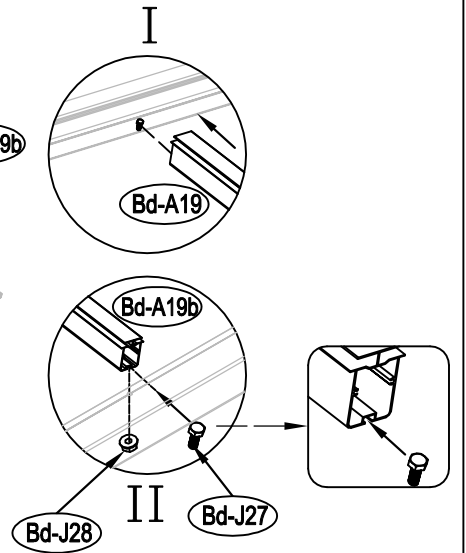
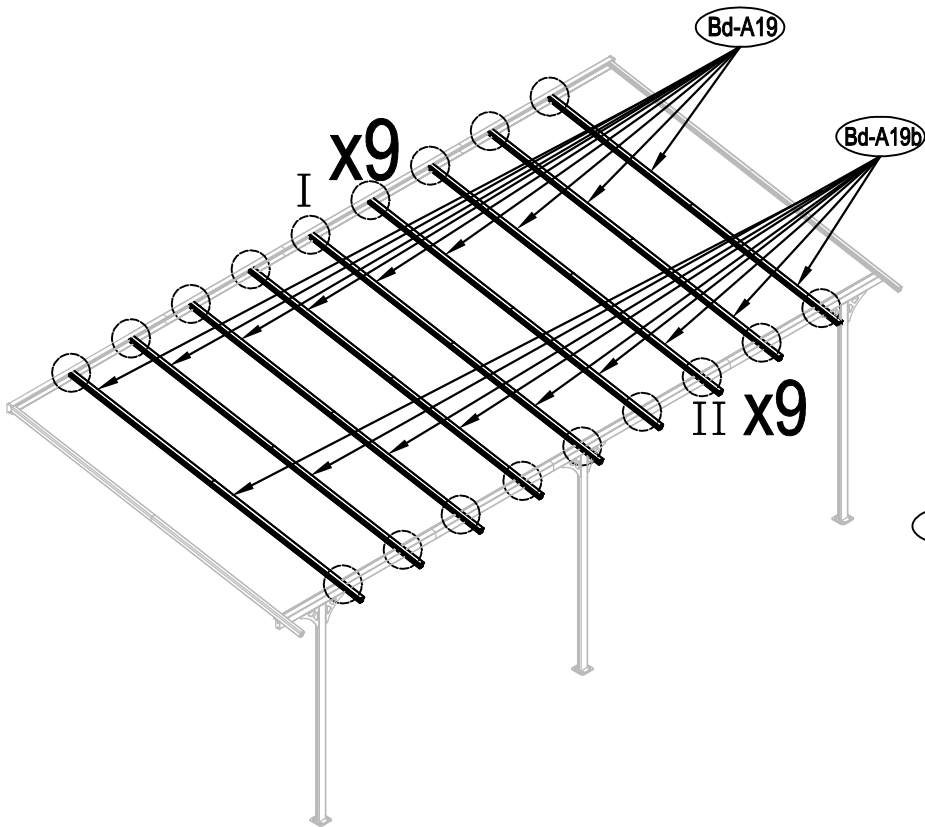
Bd-A20		x1
Bd-A20b		x1
Bd-J27		x1
Bd-J28		x1



37



Bd-A20		x1
Bd-A20b		x1
Bd-J27		x1
Bd-J28		x1



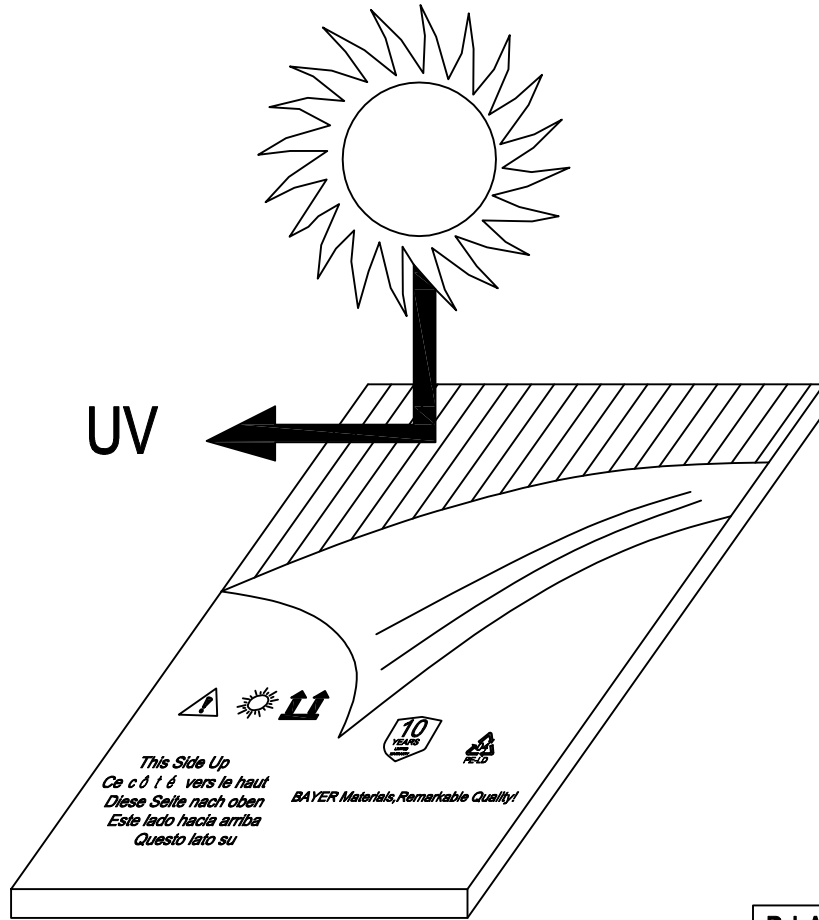
Bd-A19		x9
Bd-A19b		x9
Bd-J27		x9
Bd-J28		x9

19





38

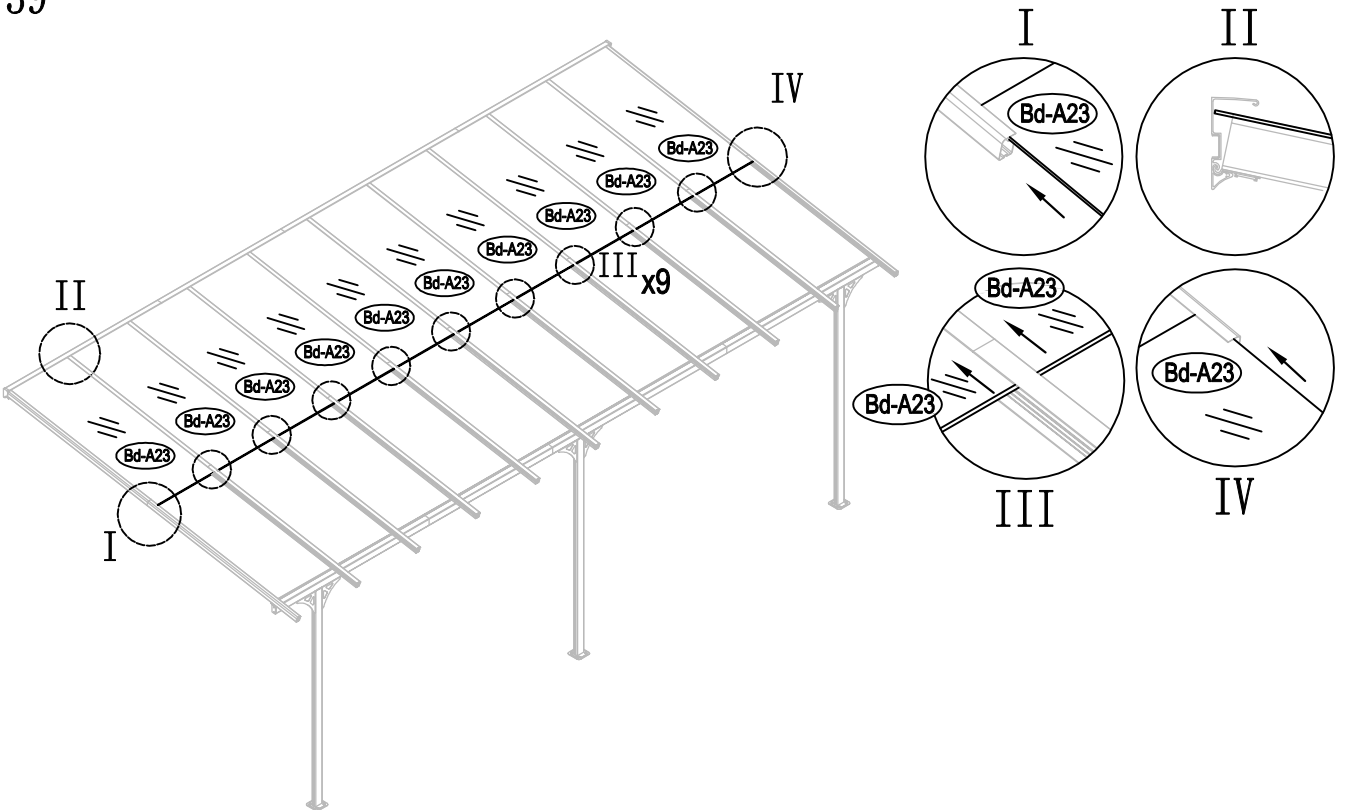


Bd-A23



x20

39



Bd-A23

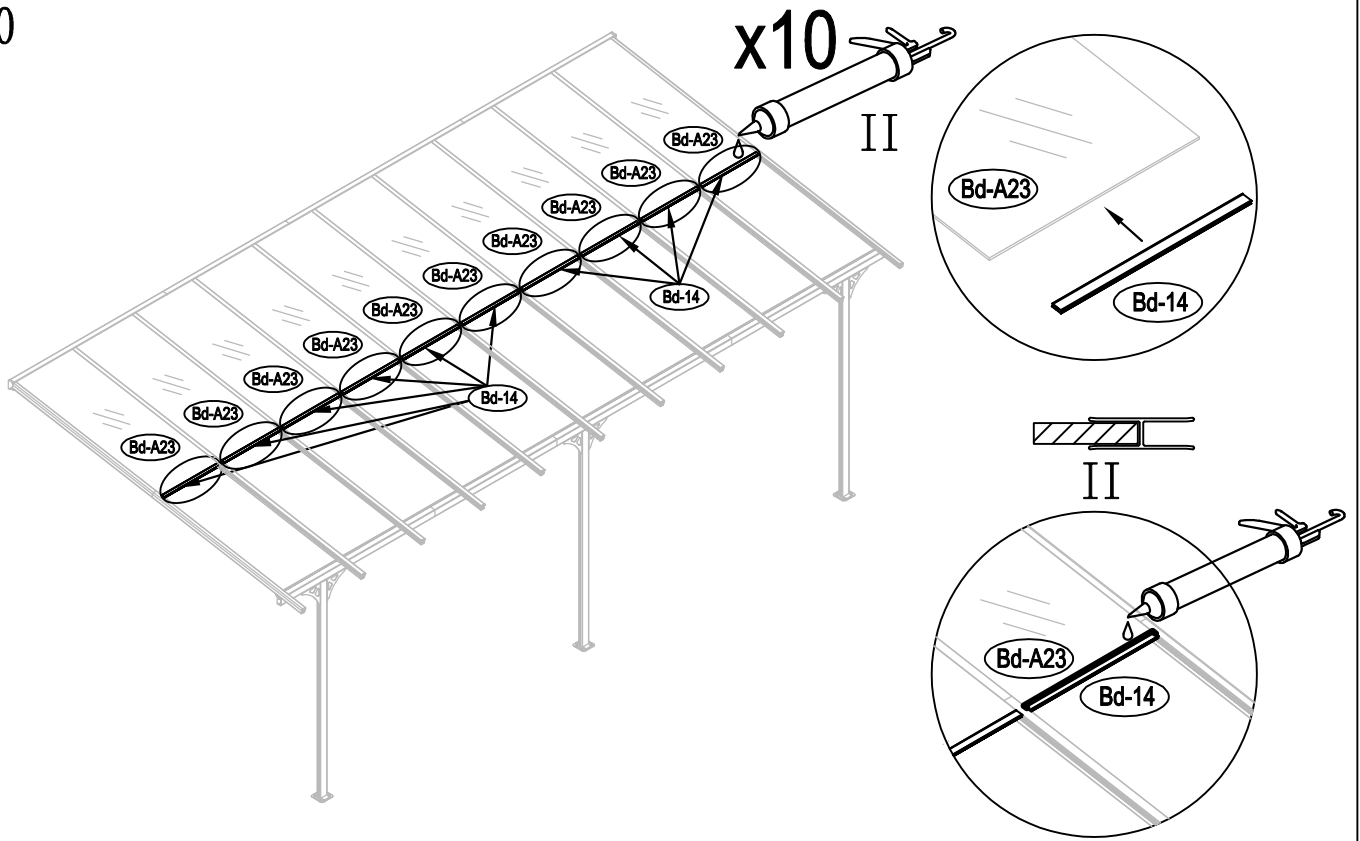


x10

20

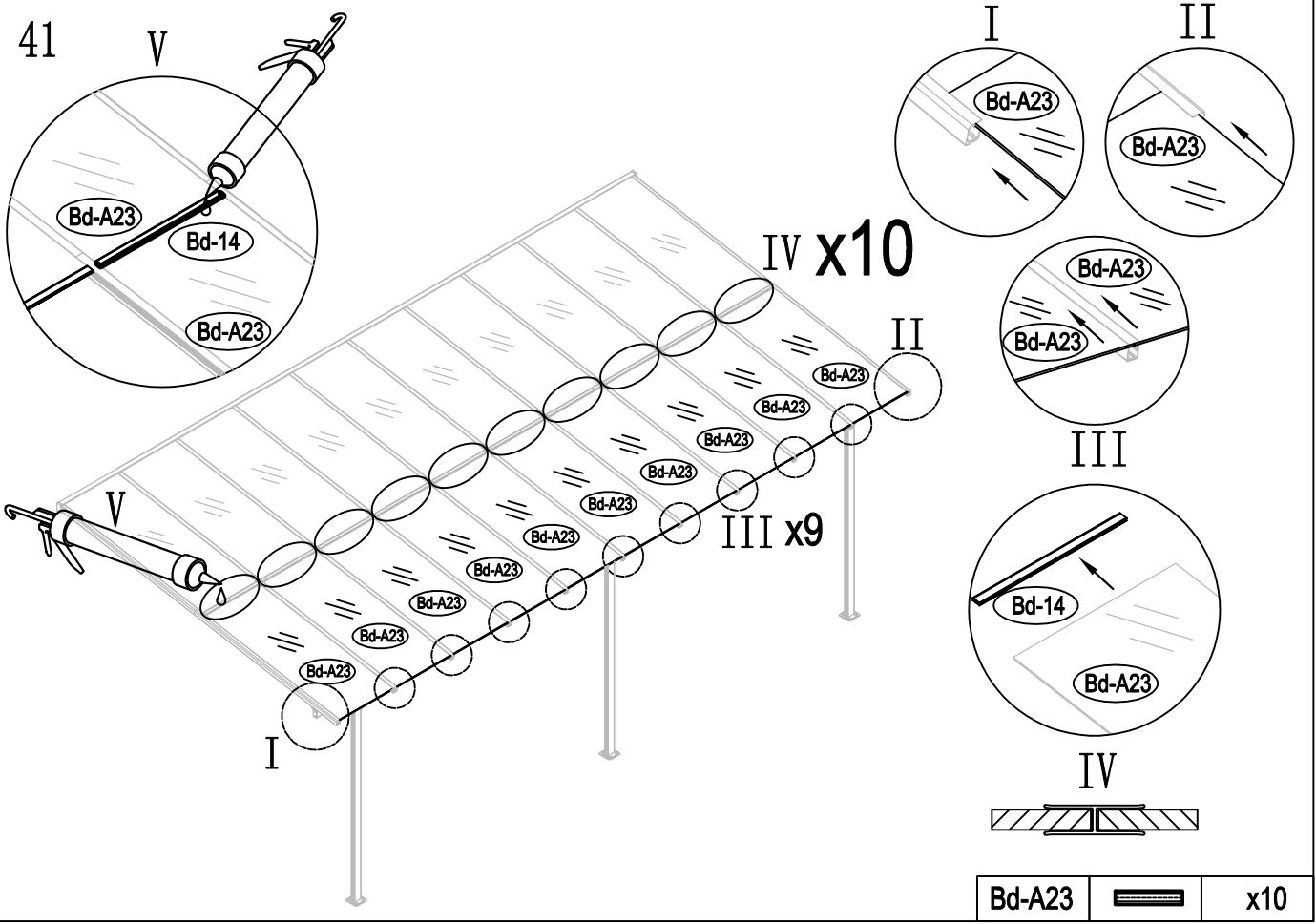


40



Bd-14		x10
-------	--	-----

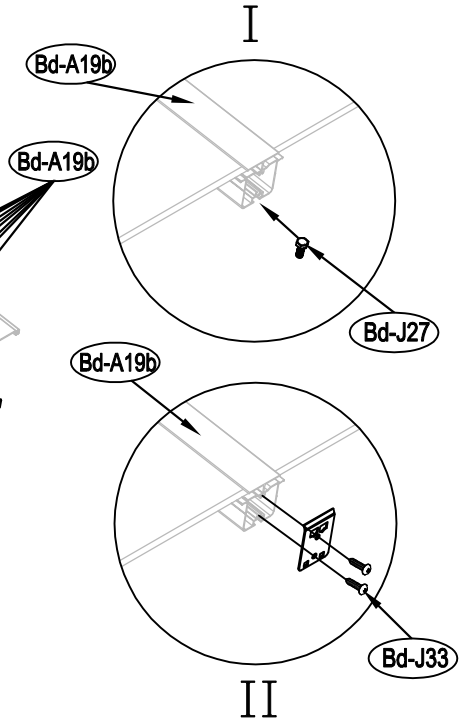
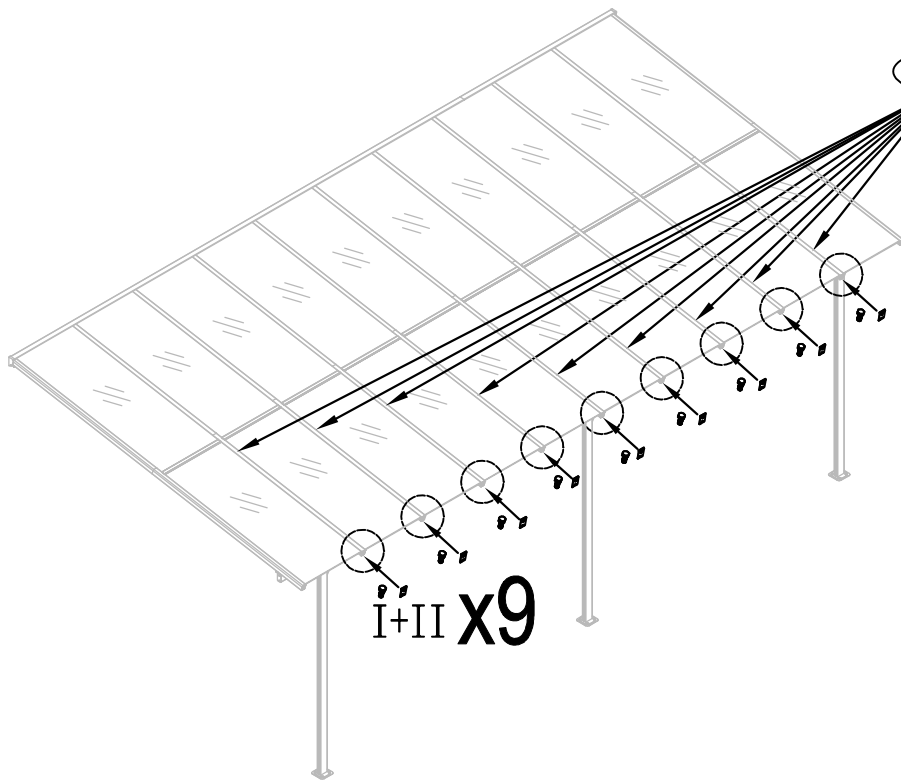
41



Bd-A23		x10
--------	--	-----

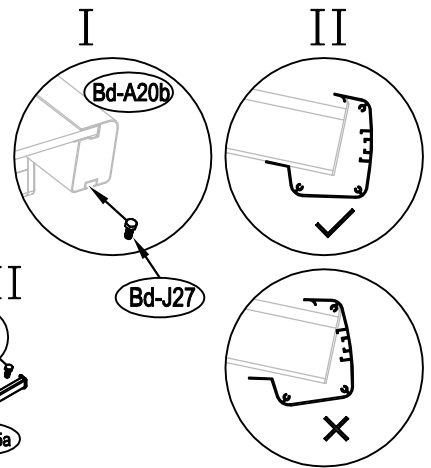
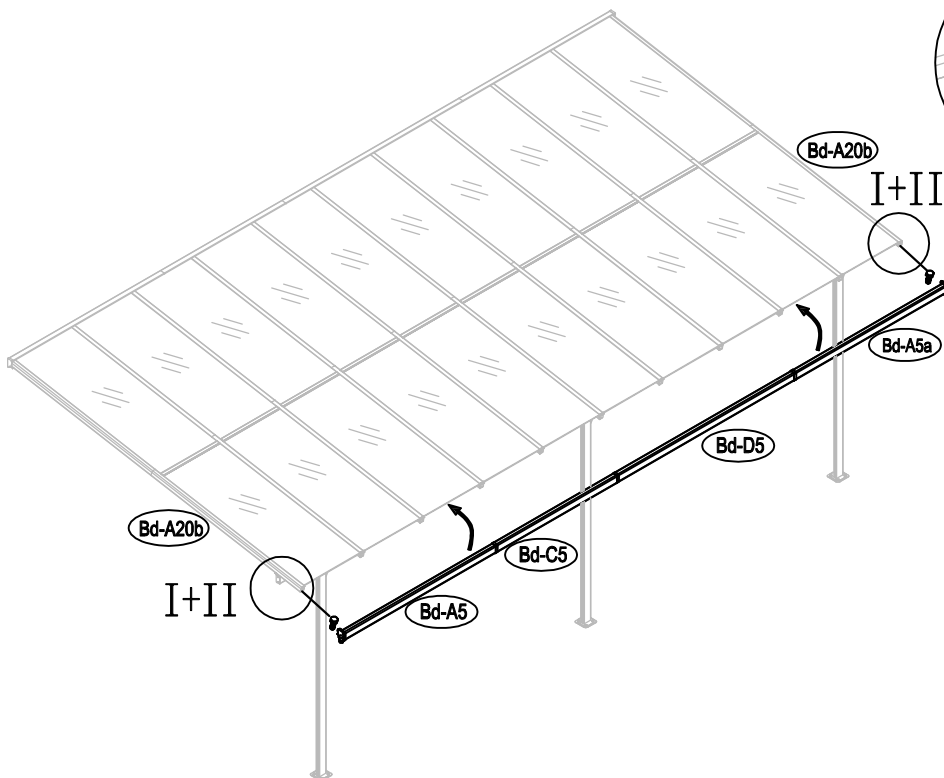


42



Bd-21		x9
Bd-J27		x9
Bd-J33		x18

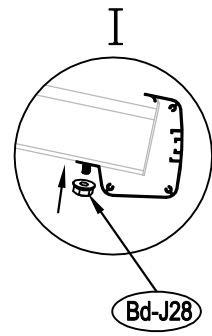
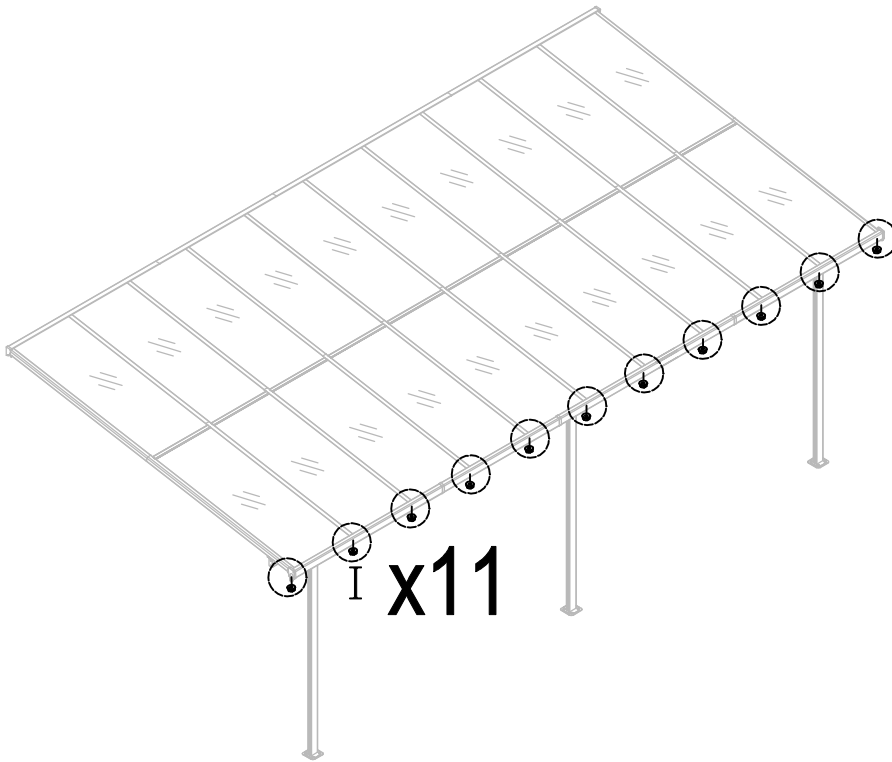
43



Bd-J27		x2
--------	--	----

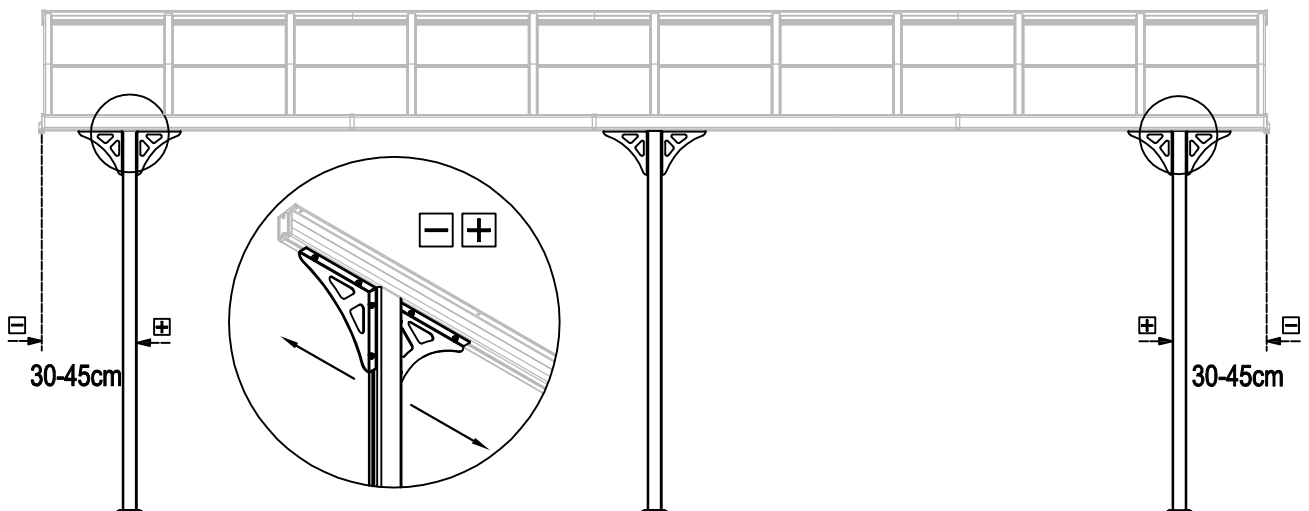


44

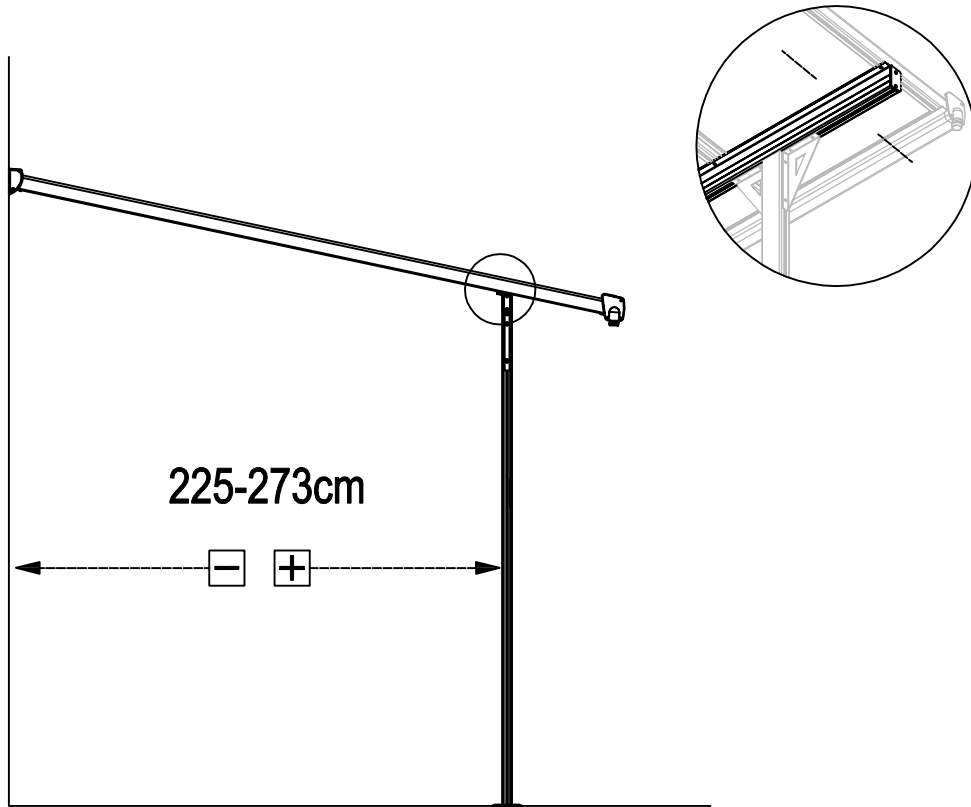


Bd-J28		x11
--------	--	-----

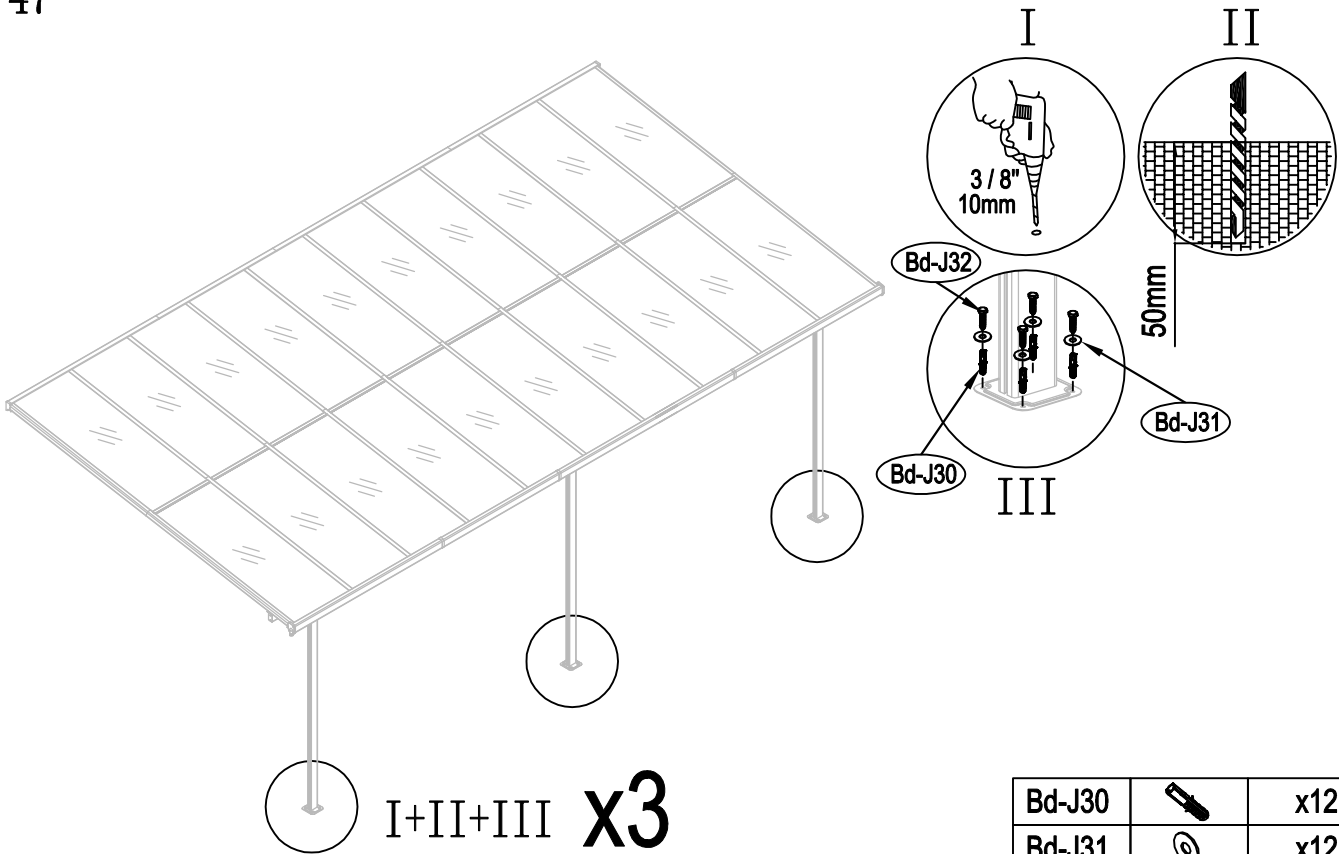
45






46



47

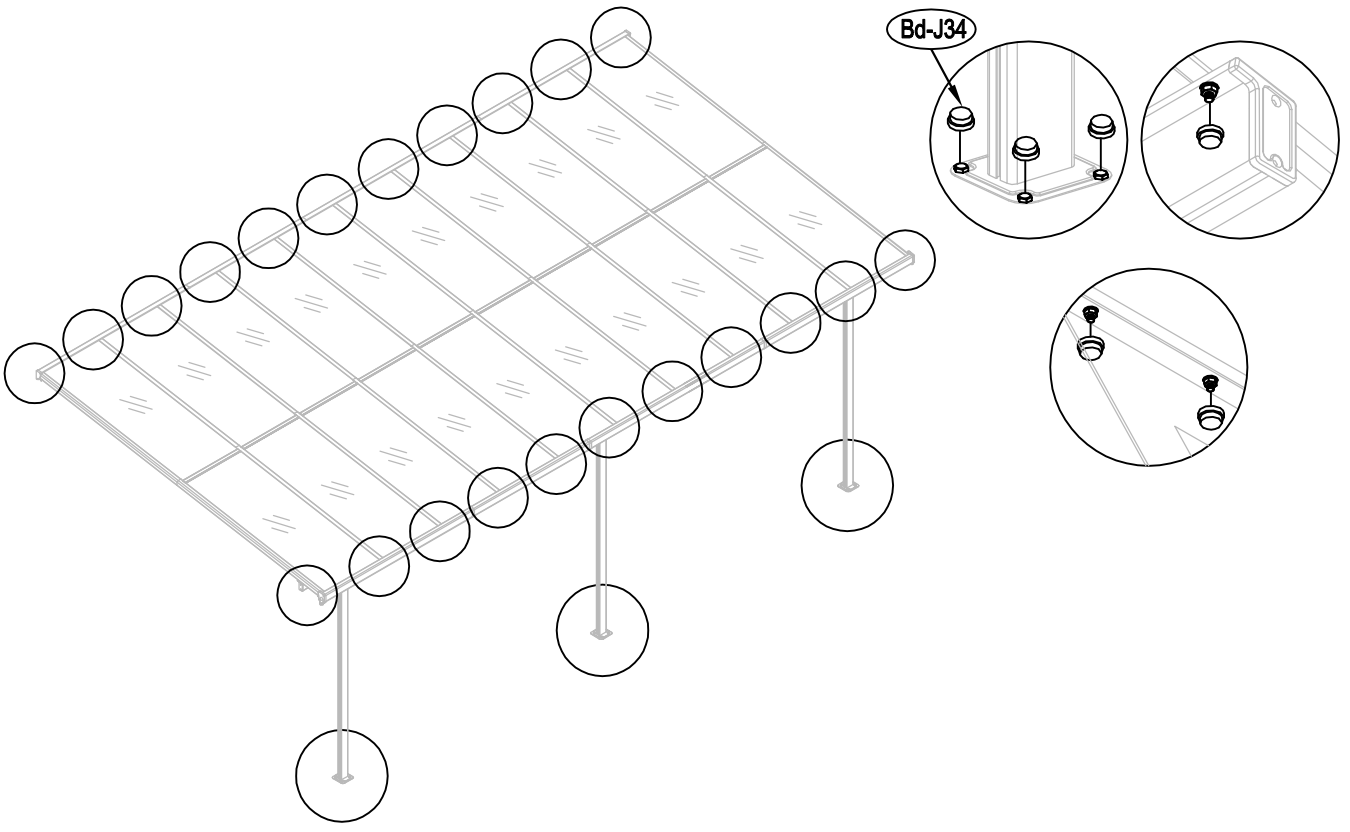


I+II+III **x3**

Bd-J30		x12
Bd-J31		x12
Bd-J32		x12



48



Bd-J34		x71
--------	---	-----

49

