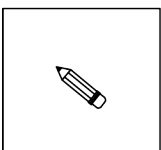
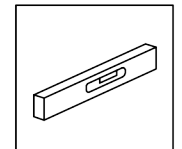
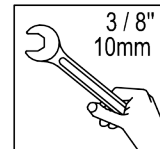
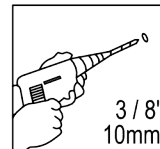
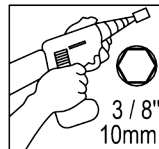
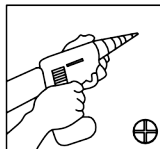
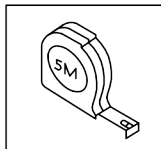
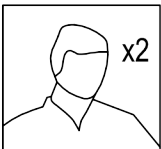
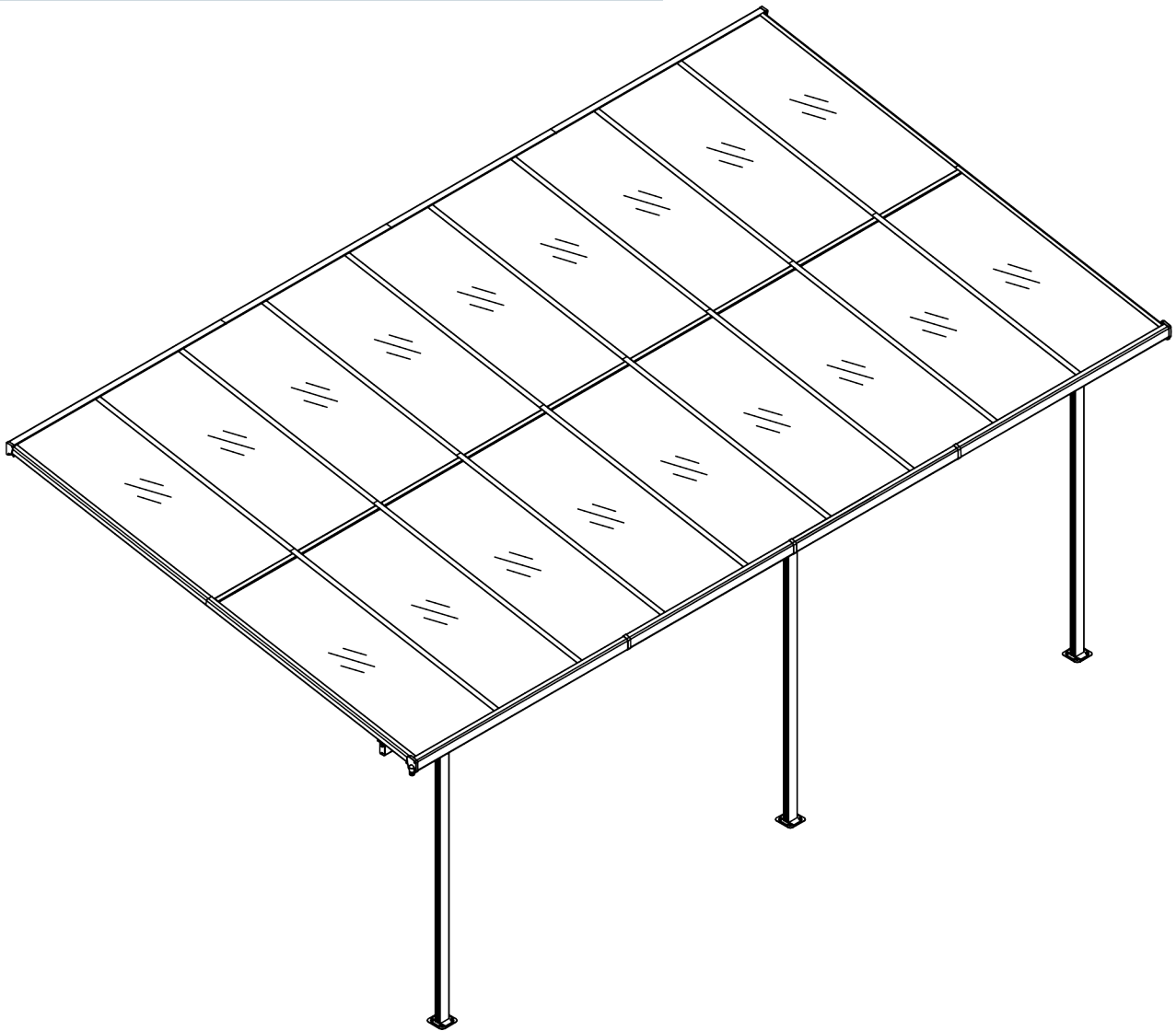




WESTMANN

MONTAGEANLEITUNG

Terrassenüberdachung
»Bruce« • S106108(W)

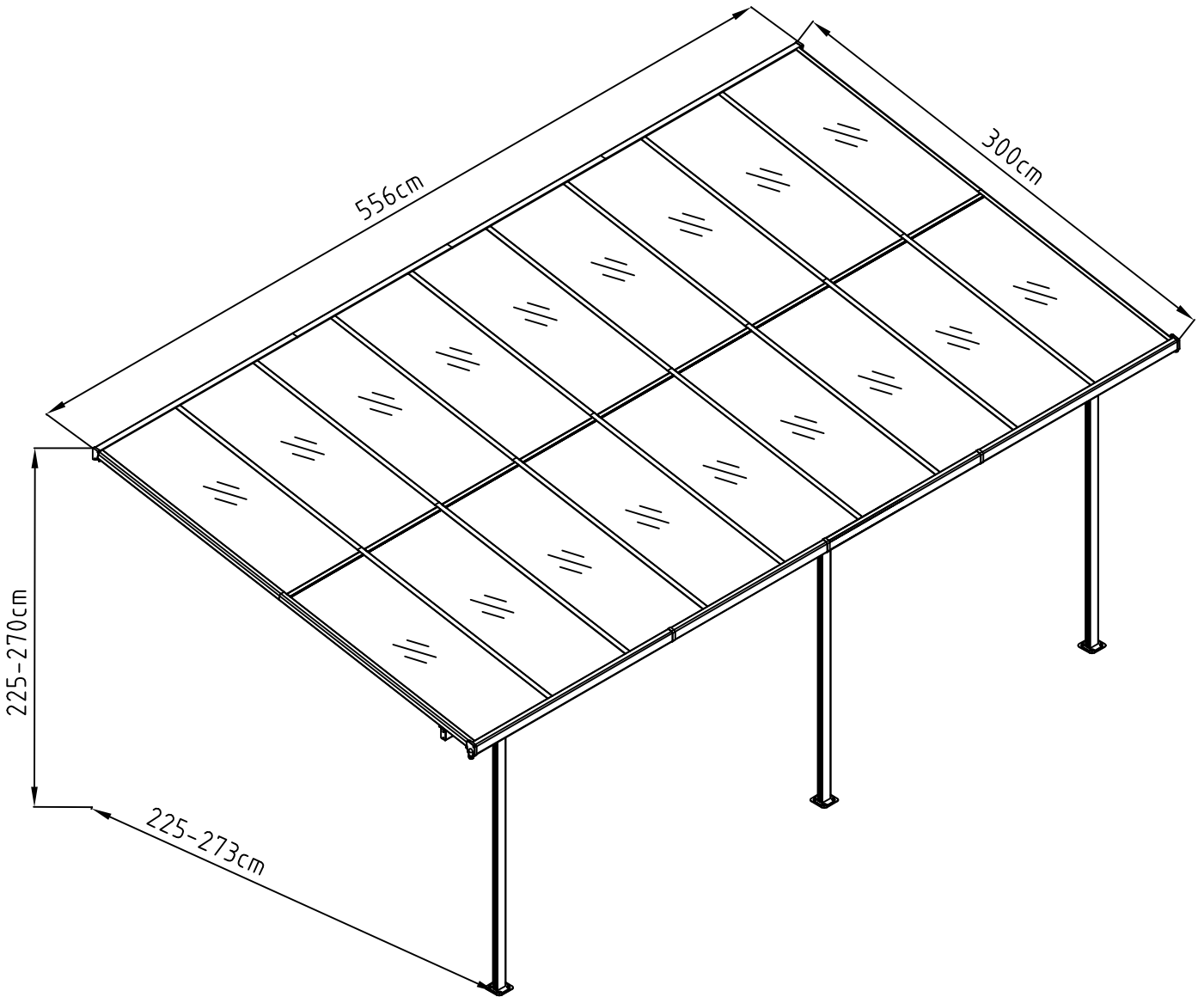


**BEI FRAGEN, KONTAKTIEREN SIE
UNSEREN KUNDENSERVICE:**

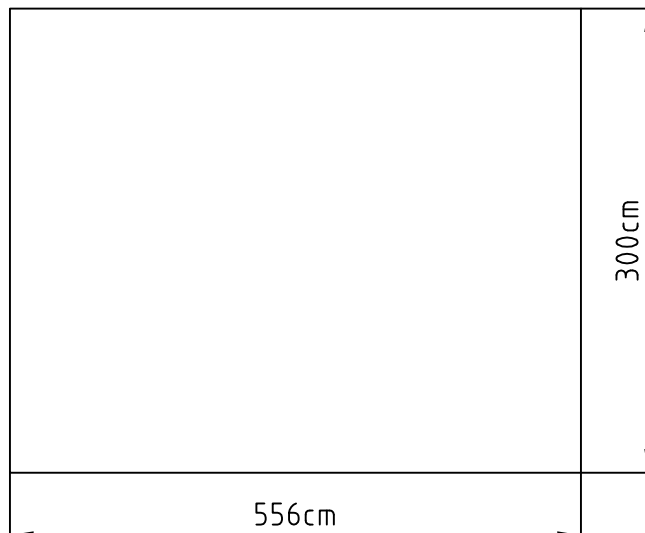
50NRTH GmbH
Straßburgstraße 14-16
D-54516 Wittlich

service@50NRTH.com
+49 (0) 6571 95117-0

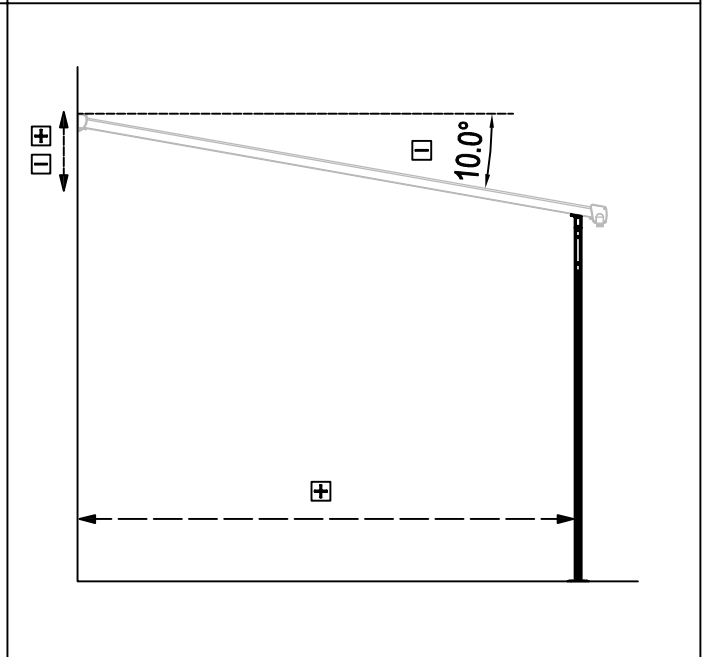
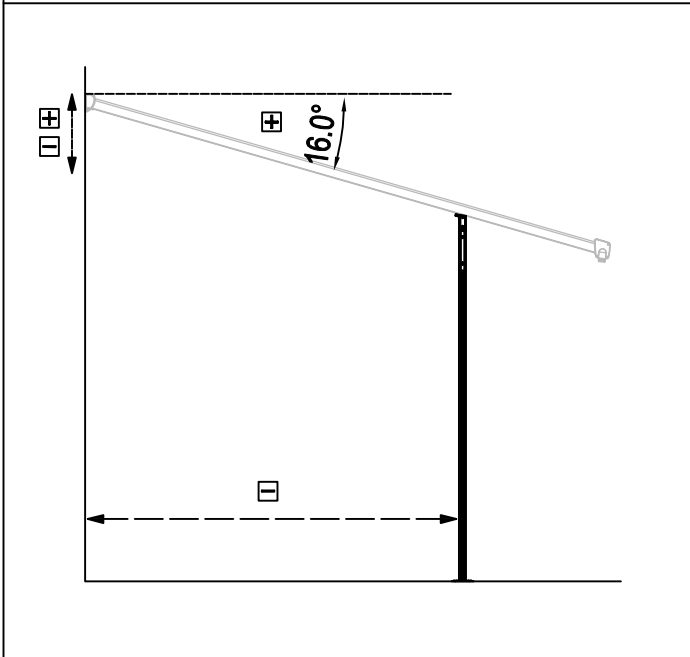
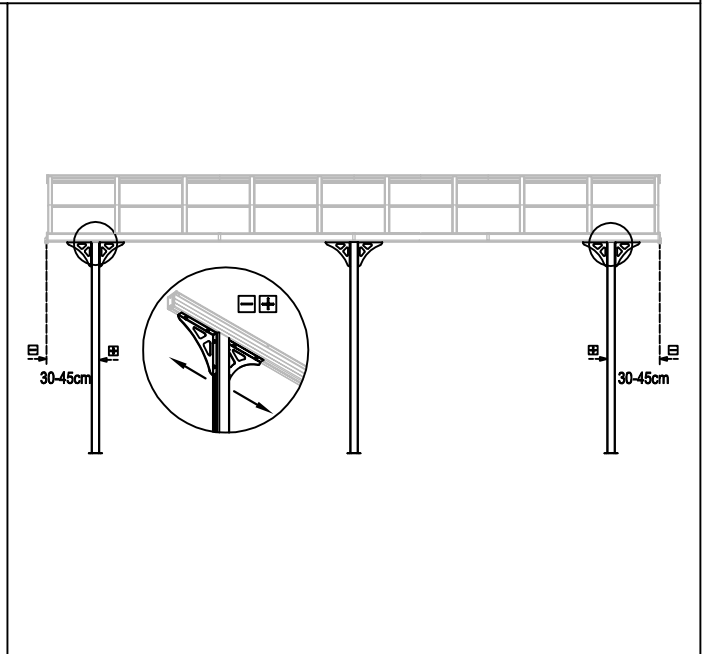
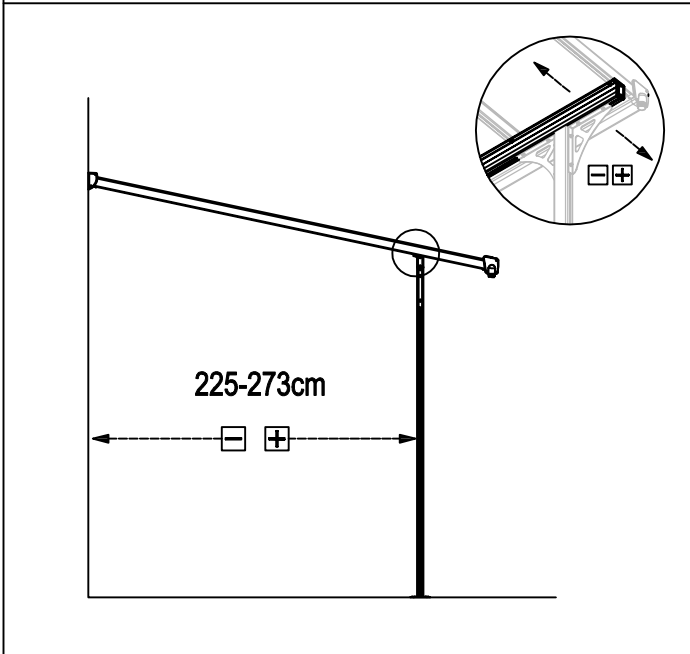
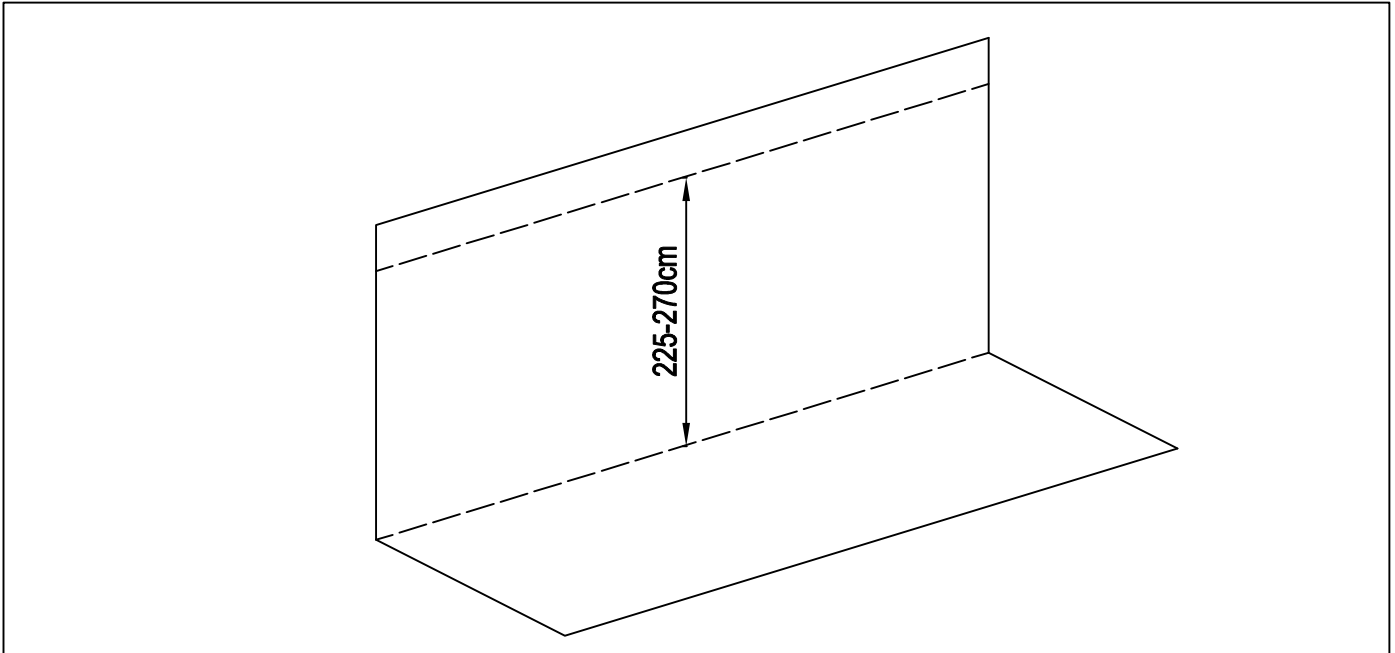
Aufstellmaß Terrassendach



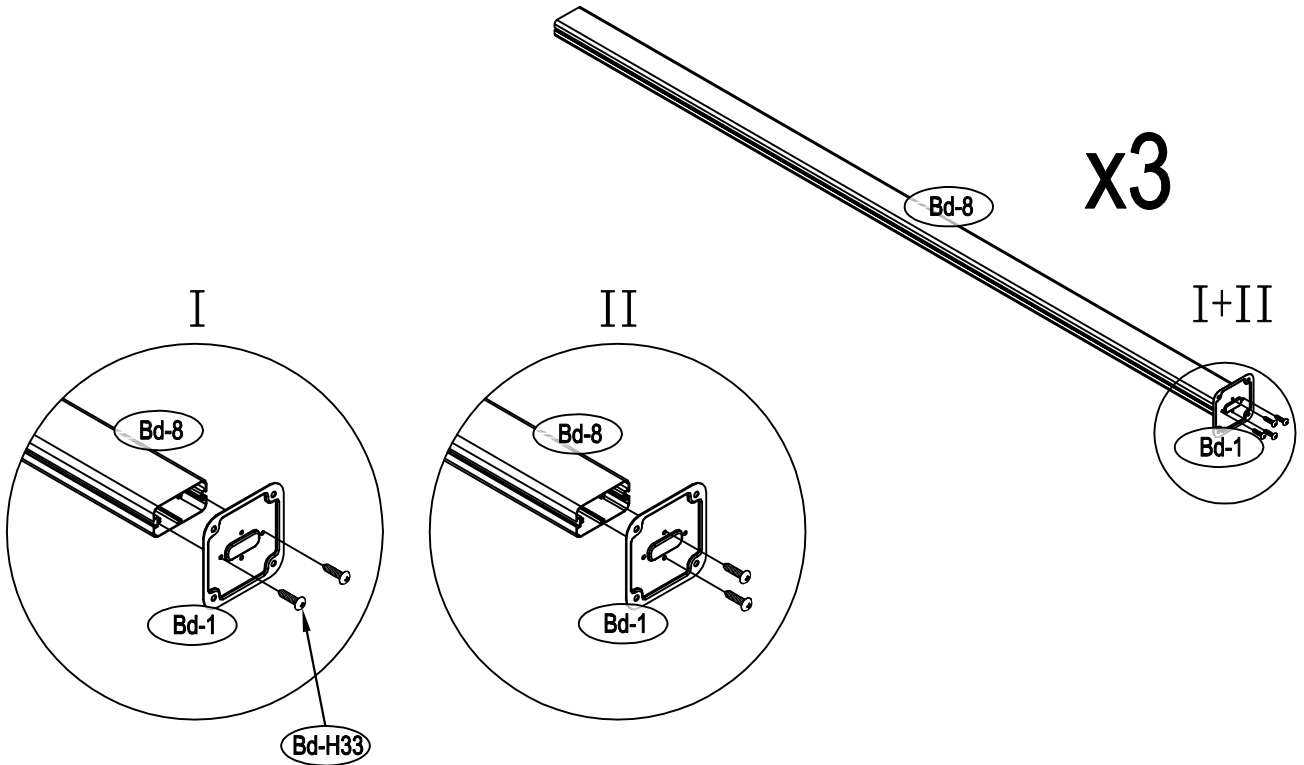
Fundament Aufstellmaß für den Geräteschrank






NO.	IMAGE	mm	QTY		NO.	IMAGE	mm	QTY
Bd-1		110	x3		Bd-H26		ST4x10	x12
Ba-2		200	x3		Bd-H27		M6x12	x72
Ba-3		100	x3		Bd-H28		M6	x72
Bd-4		210	x6		Bd-H29		ST4x19	x64
Bd-6		190	x3		Bd-H30		M6	x22
Bd-8		1900	x3		Bd-H31		M6	x22
Bd-12		300	x3		Bd-H32		ST5.5x40	x22
Bd-A19		1410	x8		Bd-H33		ST4x16	x42
Bd-A19b		1540	x8		Bd-H34		M6	x68
Bd-A20		1410	x2					x1
Bd-A20b		1540	x2				10-12mm	x1
Bd-21			x8					
Bd-A5		1540	x1					
Bd-A5a		1540	x1					
Bd-C5		1216	x2					
Bd-A12		1540	x1					
Bd-A12a		1540	x1					
Bd-C12		1216	x2					
Bd-A24		1540	x1					
Bd-A24a		1540	x1					
Bd-C24		1216	x2					
Bd-A25		1540	x1					
Bd-A25a		1540	x1					
Bd-C25		1216	x2					
Bd-19		300	x8					
Bd-20		300	x2					
Bd-14		573	x9					
Bd-A23		1480	x18					
Bd-P1L			x1					
Bd-P1R			x1					
Bd-P2L			x1					
Bd-P2R			x1					
Bd-P3L			x1					
Bd-P3R			x1					
Bd-P5			x3					

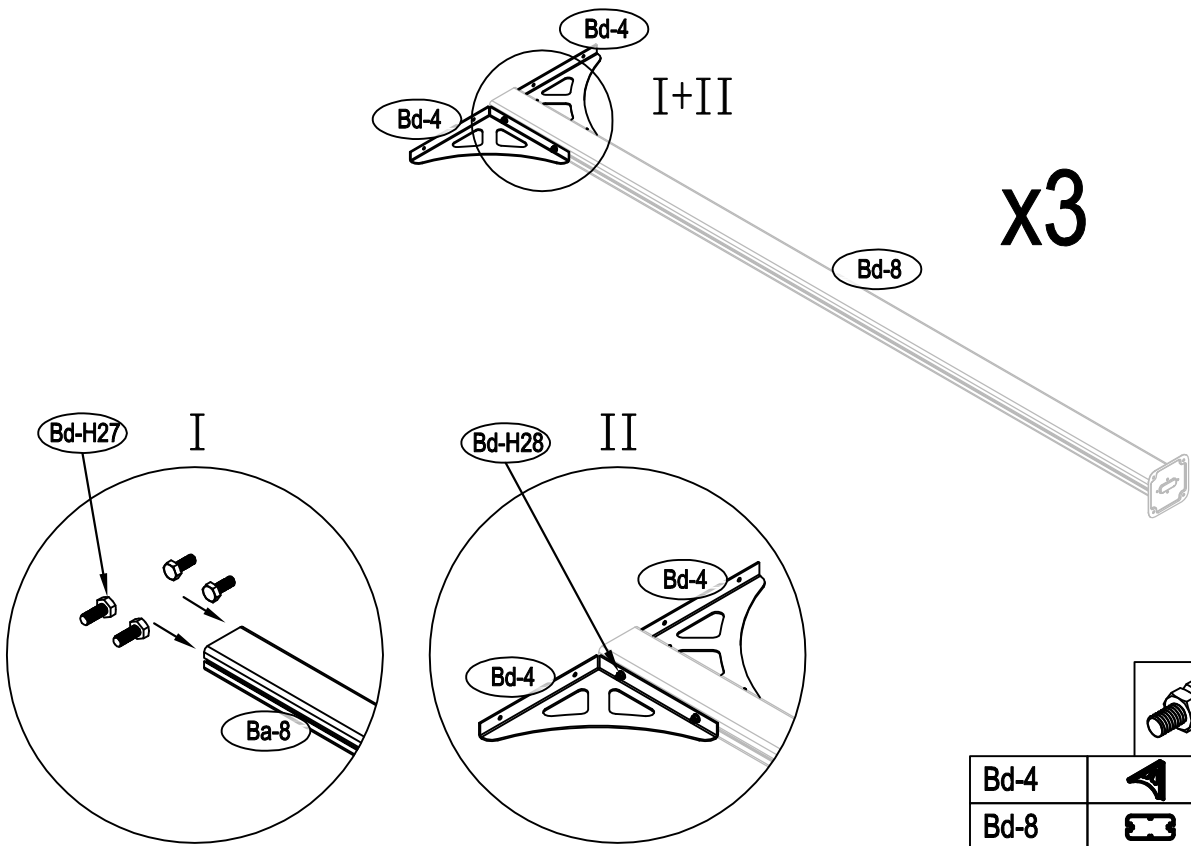








1



Bd-1		x3
Bd-8		x3
Bd-H33		x12

2

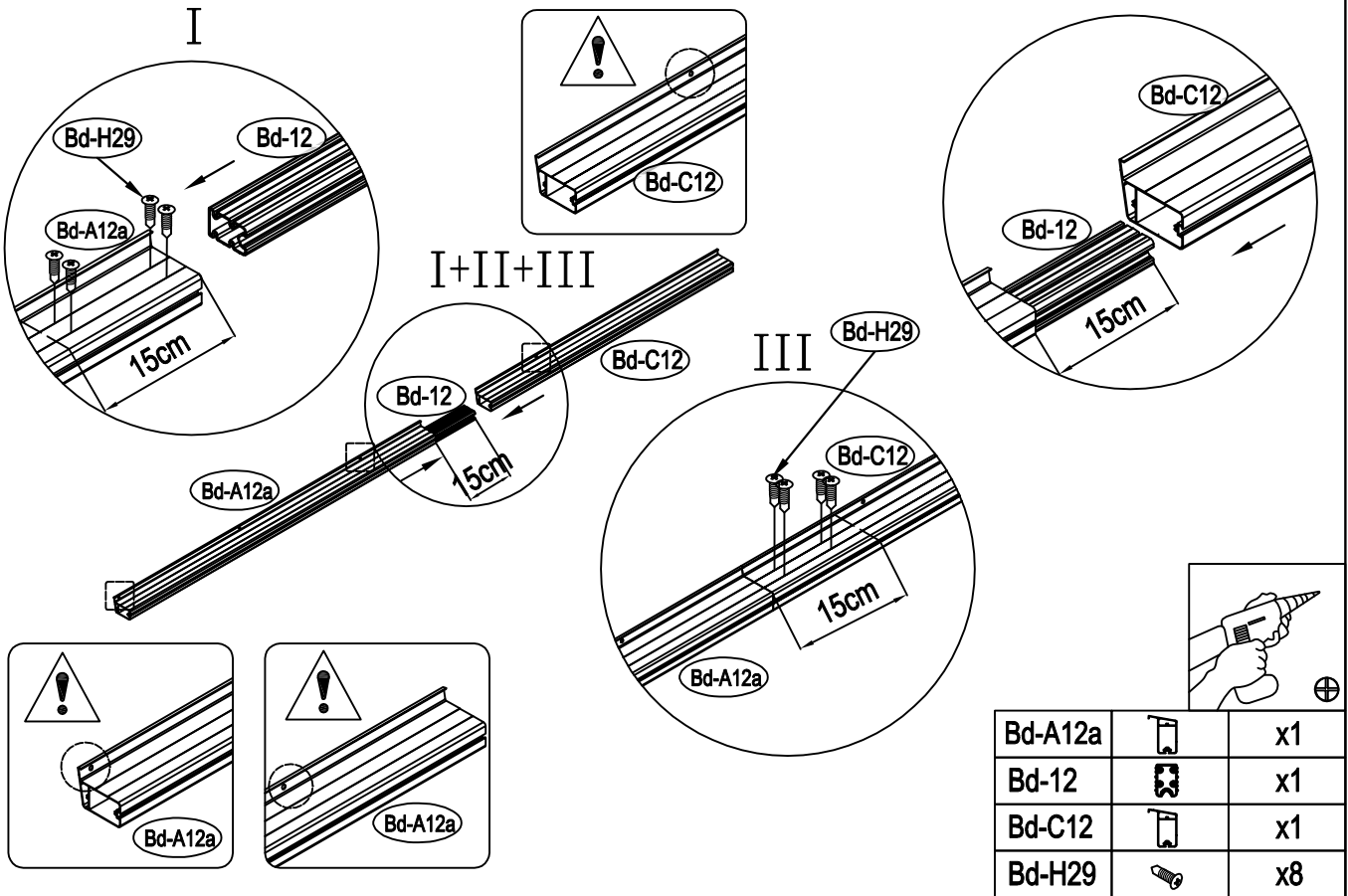


		
Bd-4		x6
Bd-8		x3
Bd-H27		x12
Bd-H28		x12

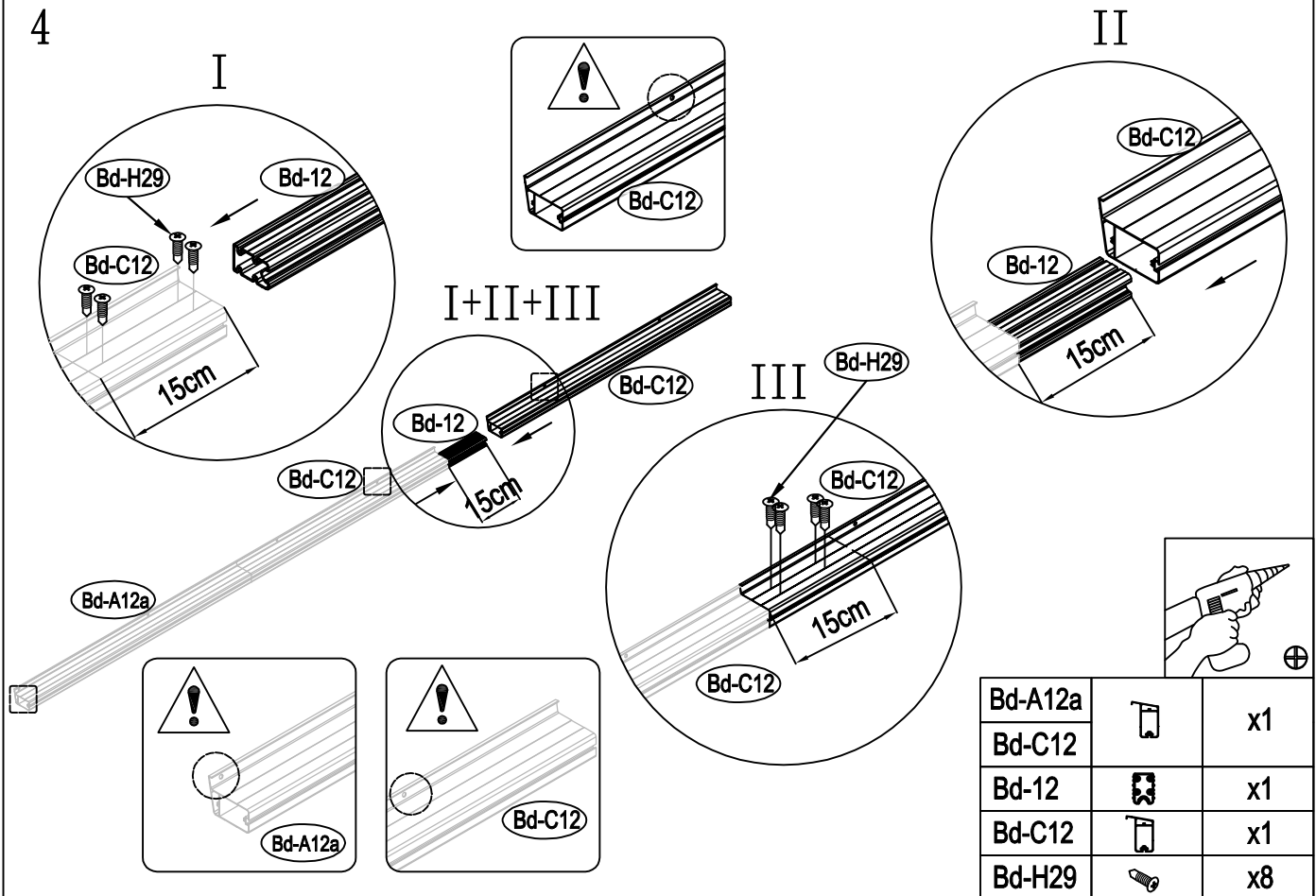
1

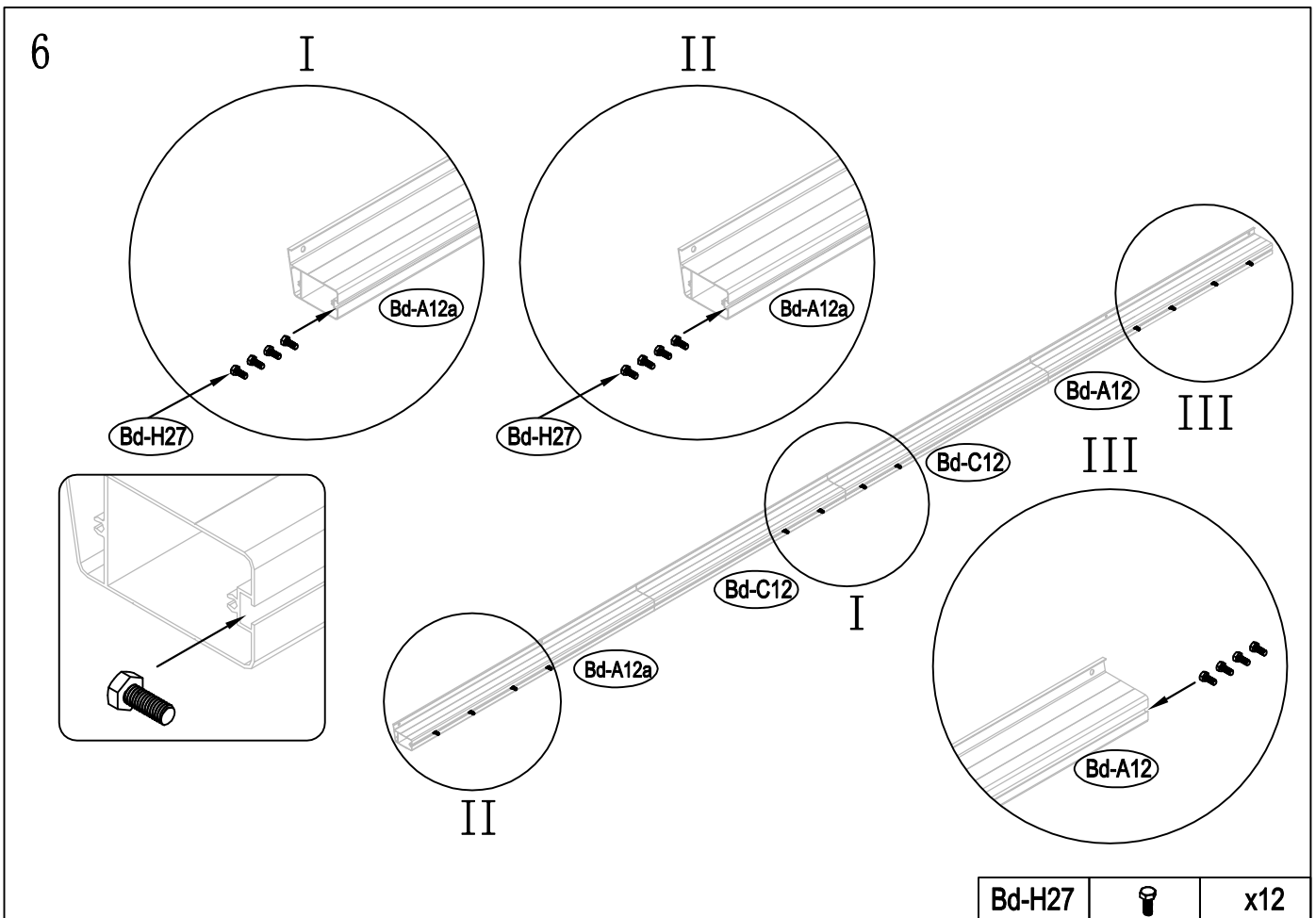
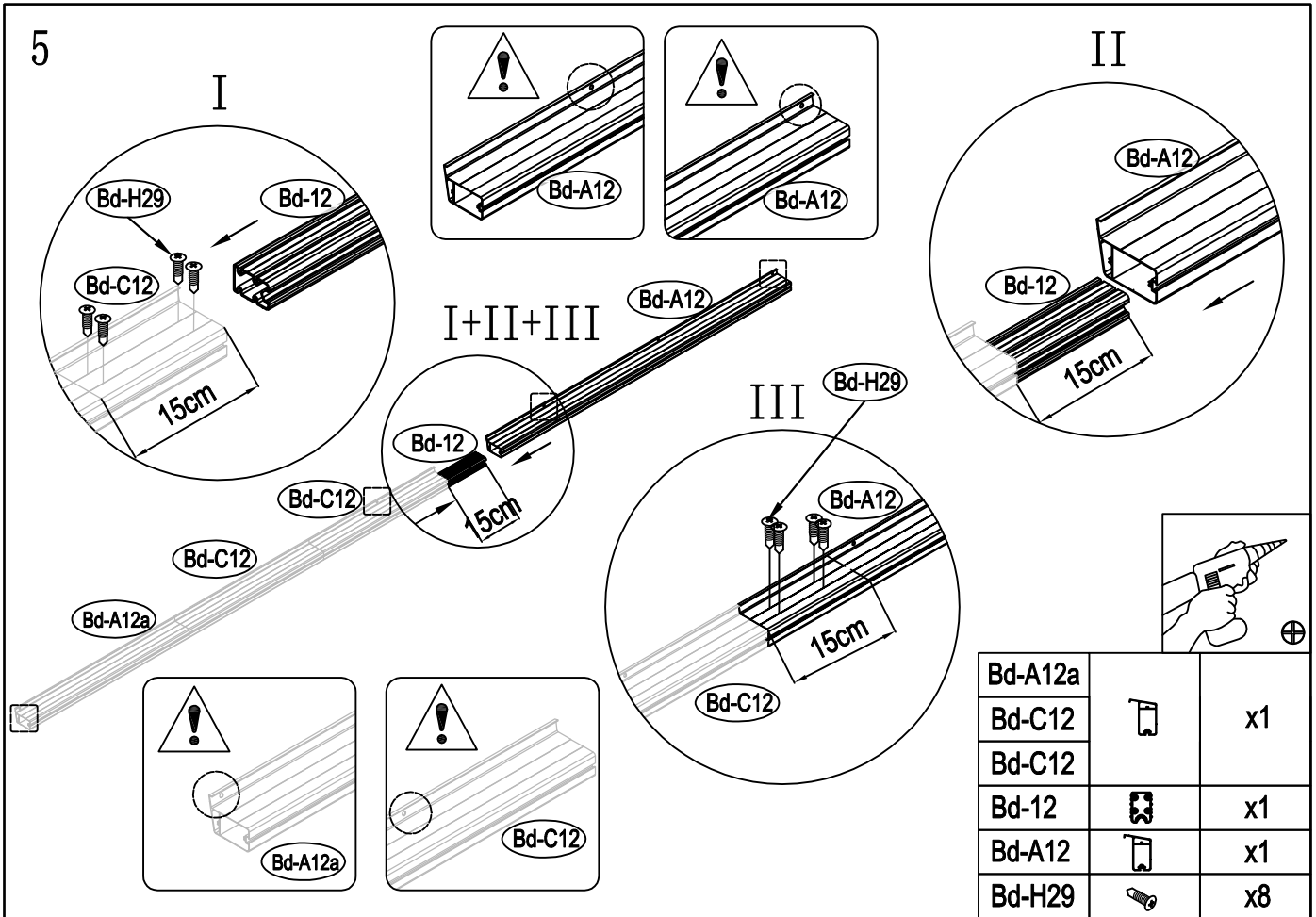


3

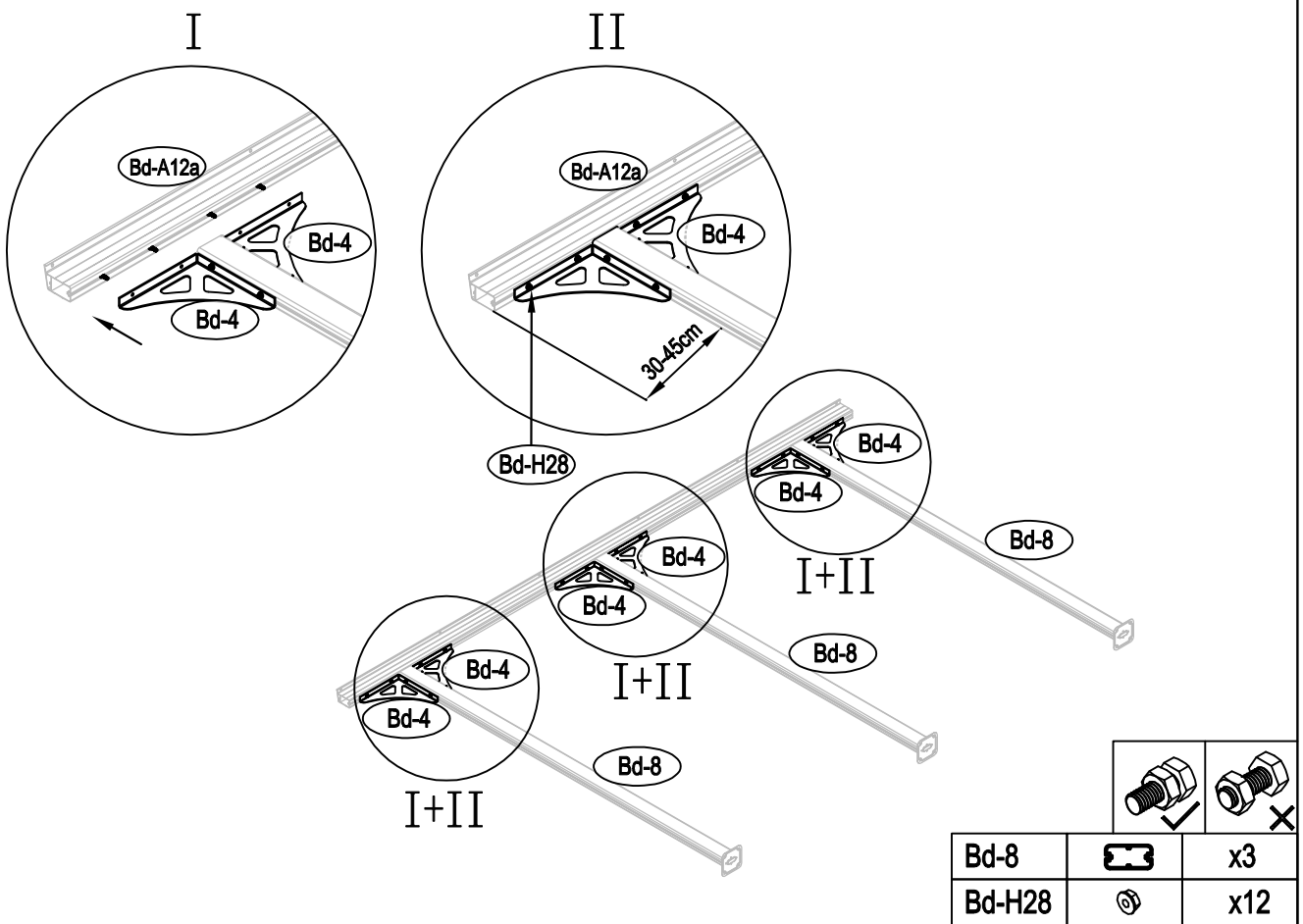


4

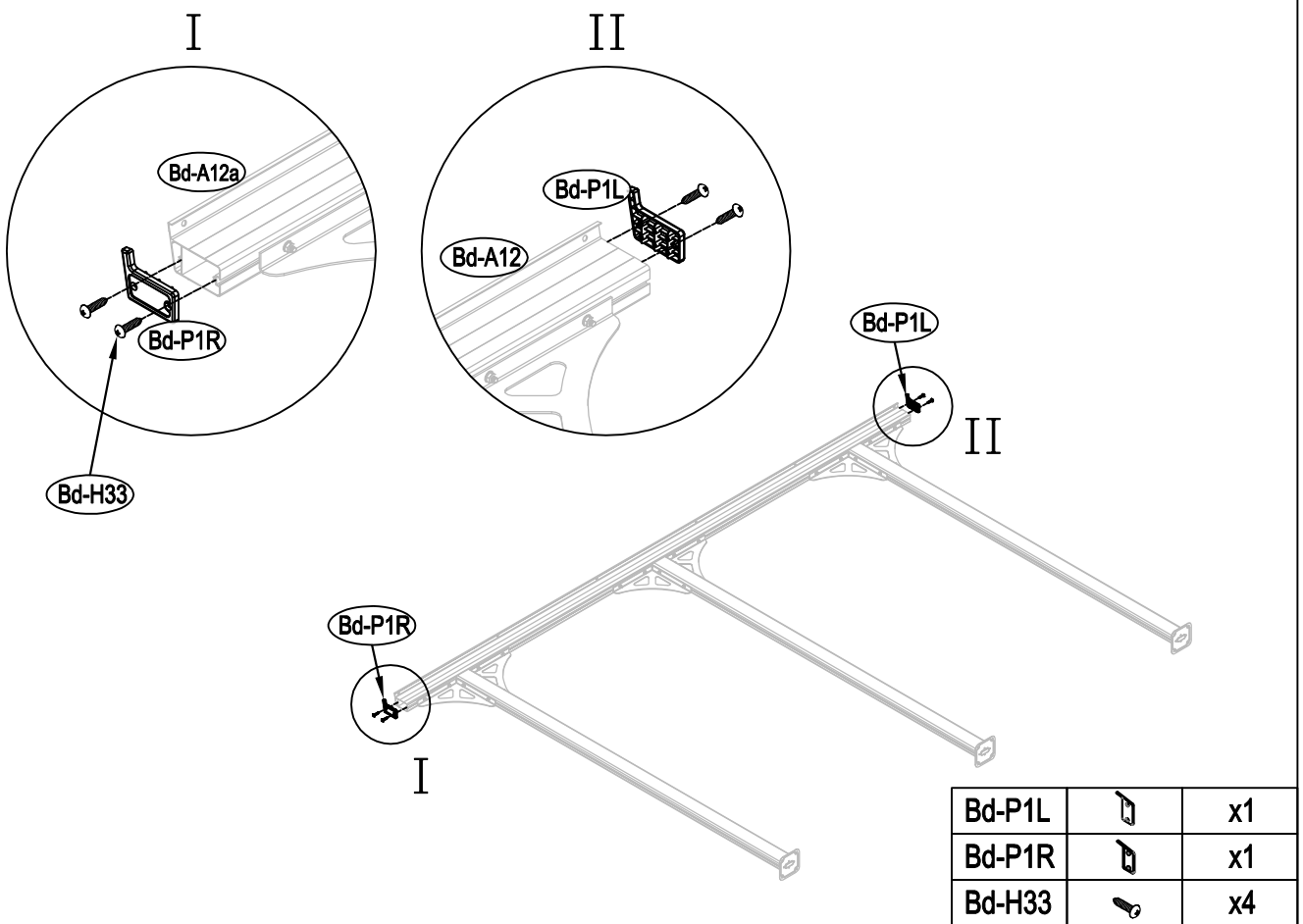




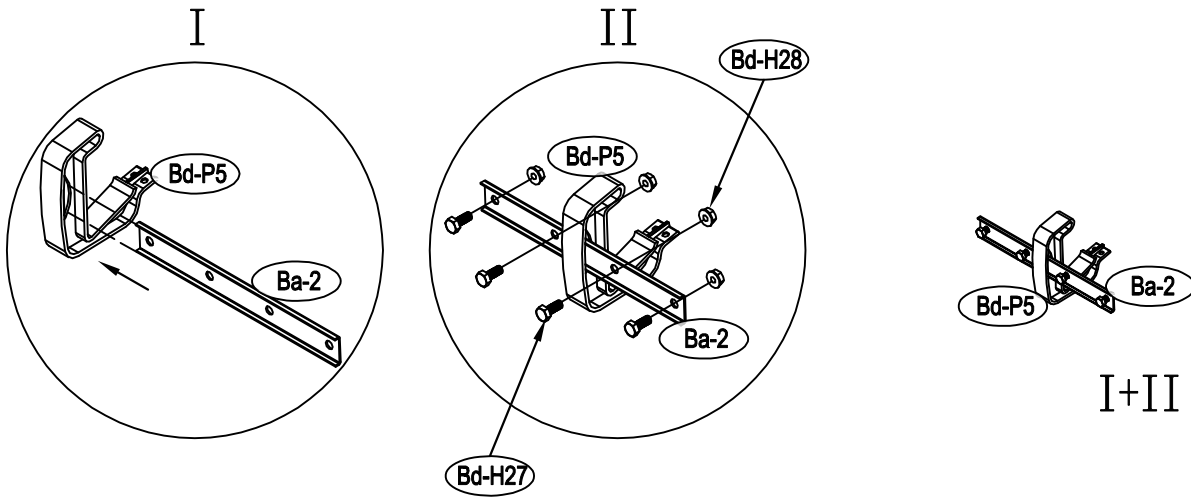
7



8



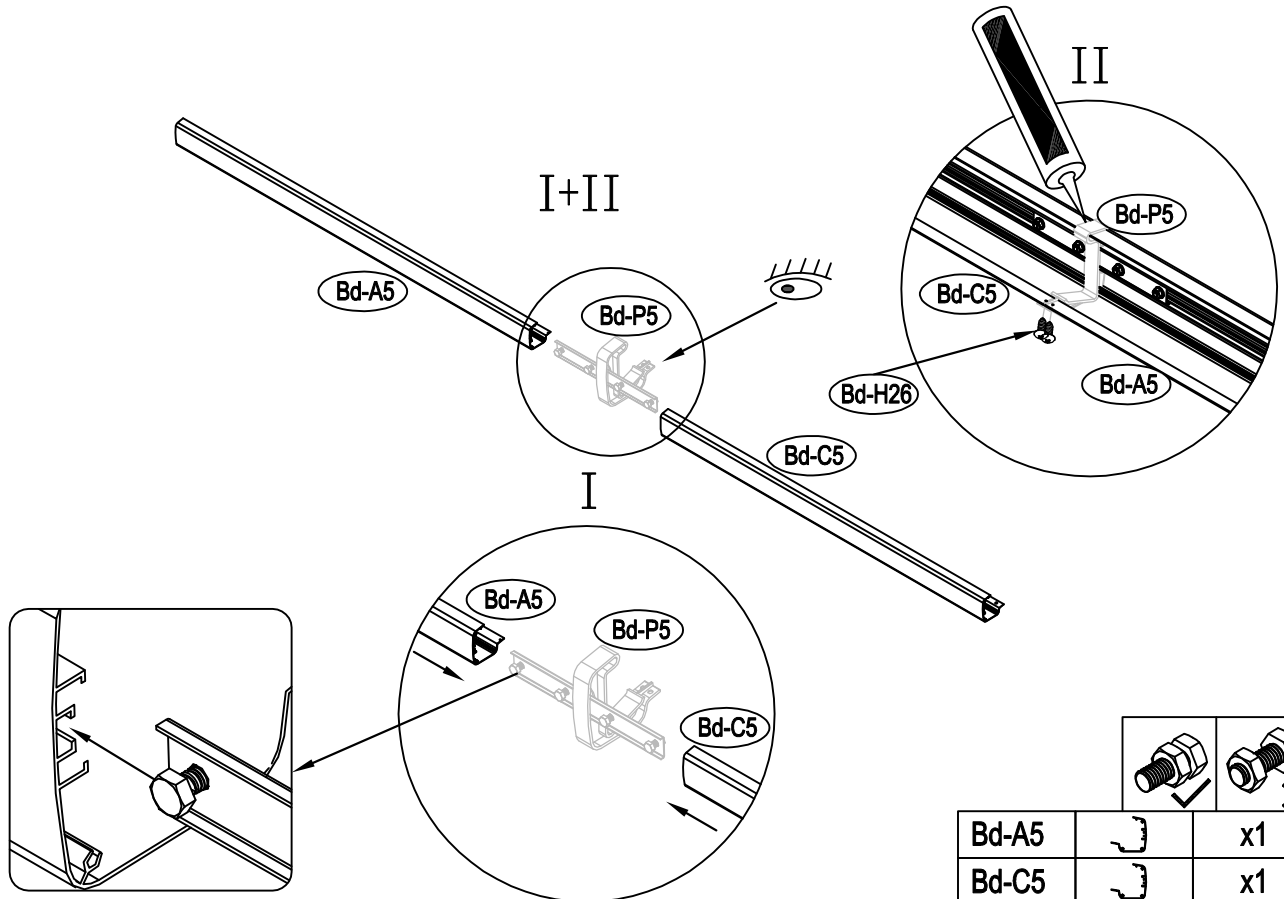
9



x3

Ba-2		x3
Bd-P5		x3
Bd-H27		x12
Bd-H28		x12

10

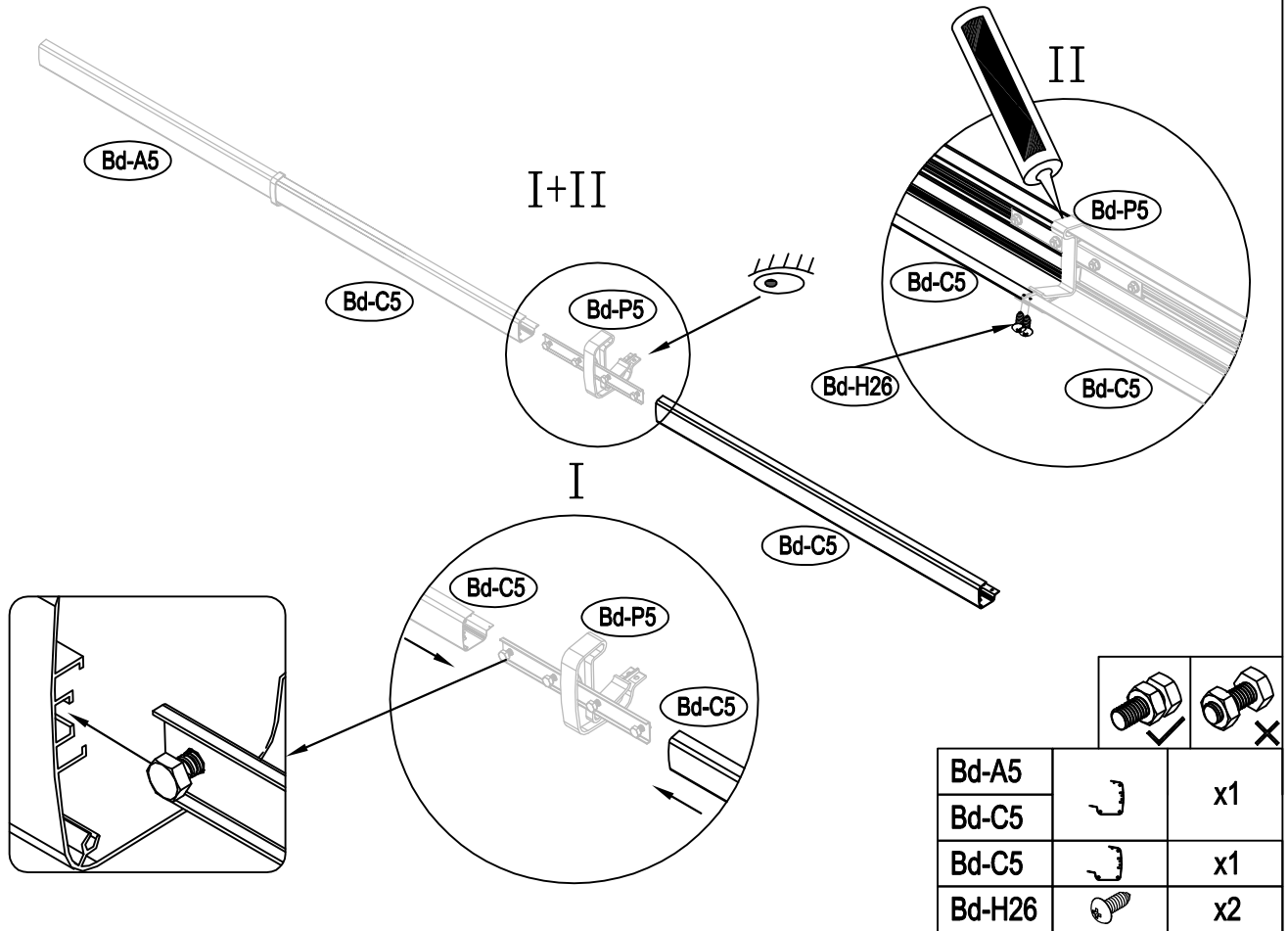


Bd-A5		x1
Bd-C5		x1
Bd-H26		x2

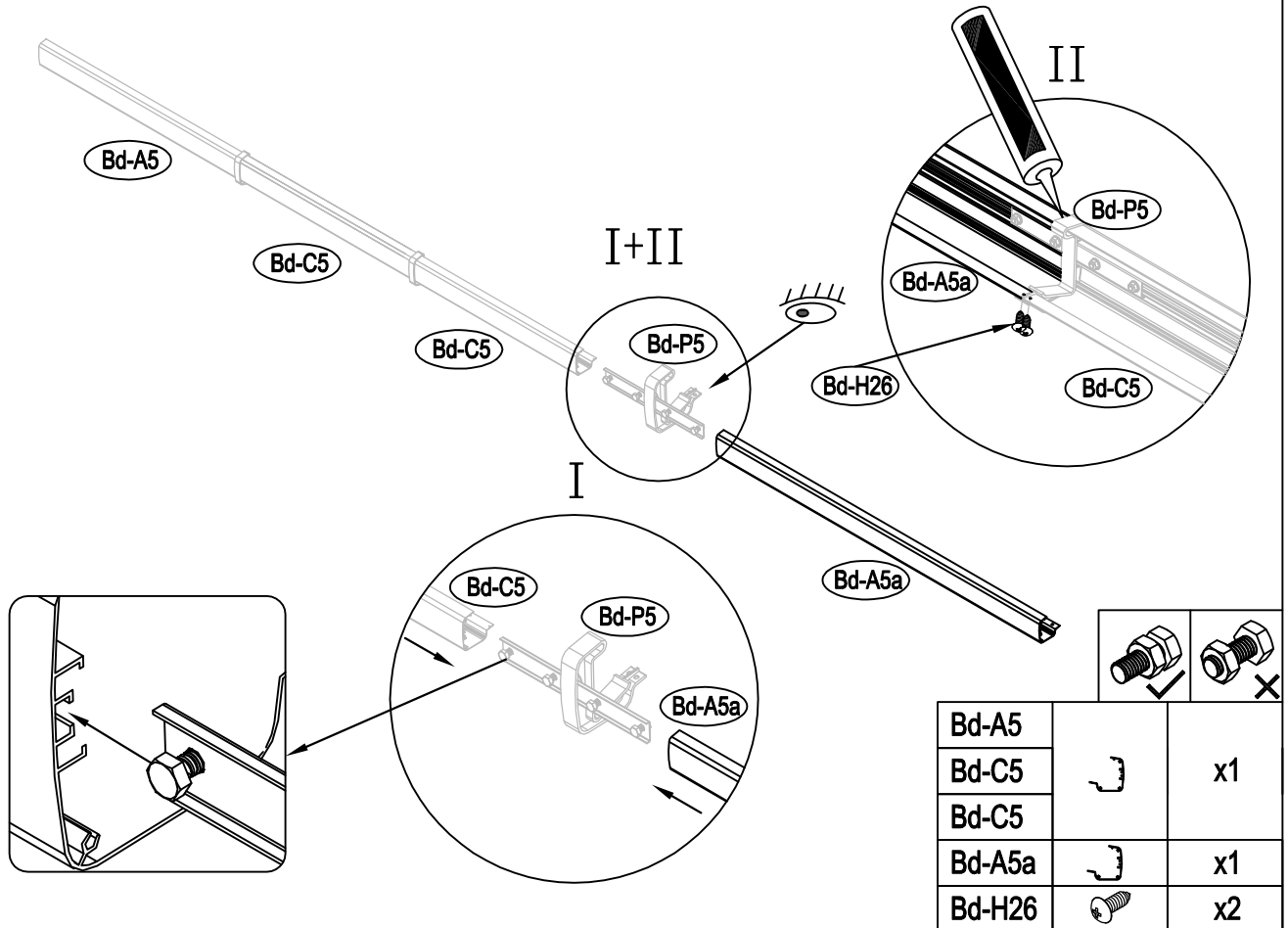
5



11

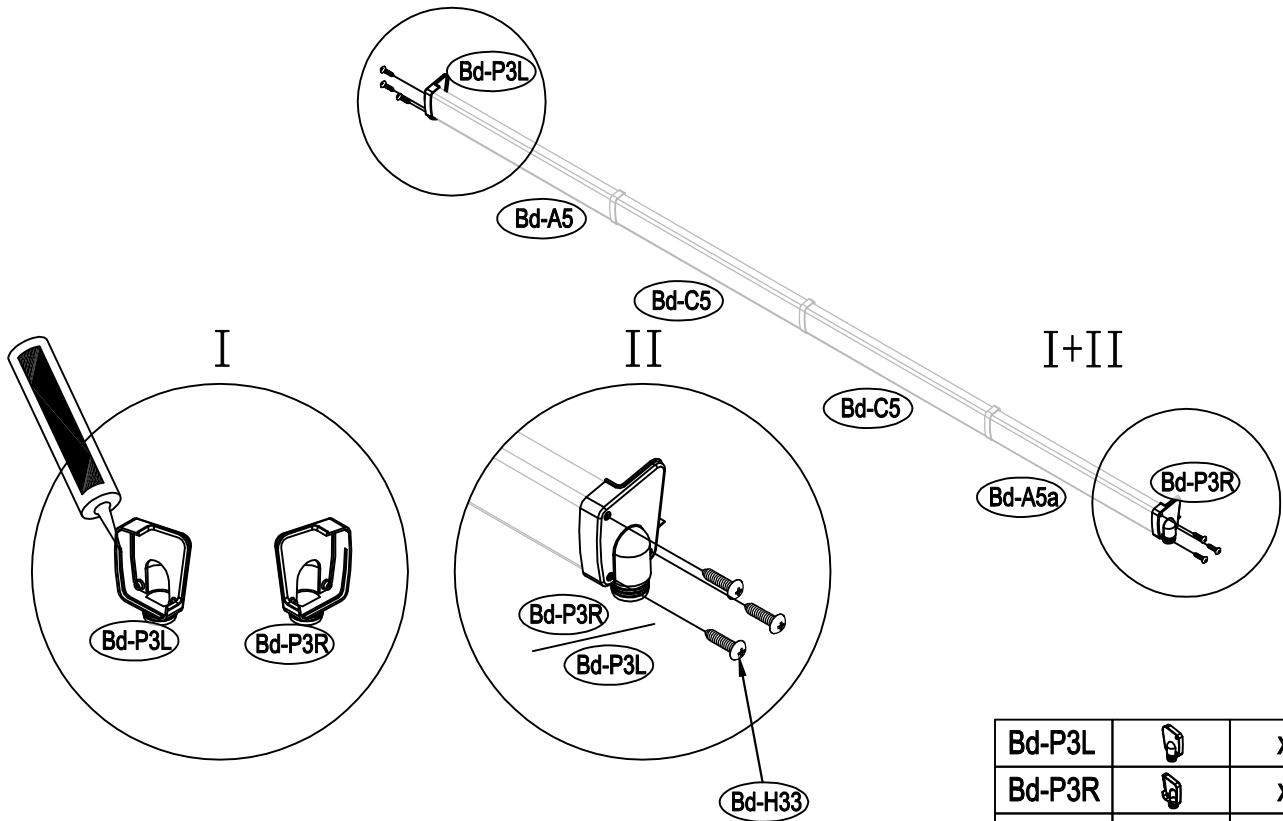


12



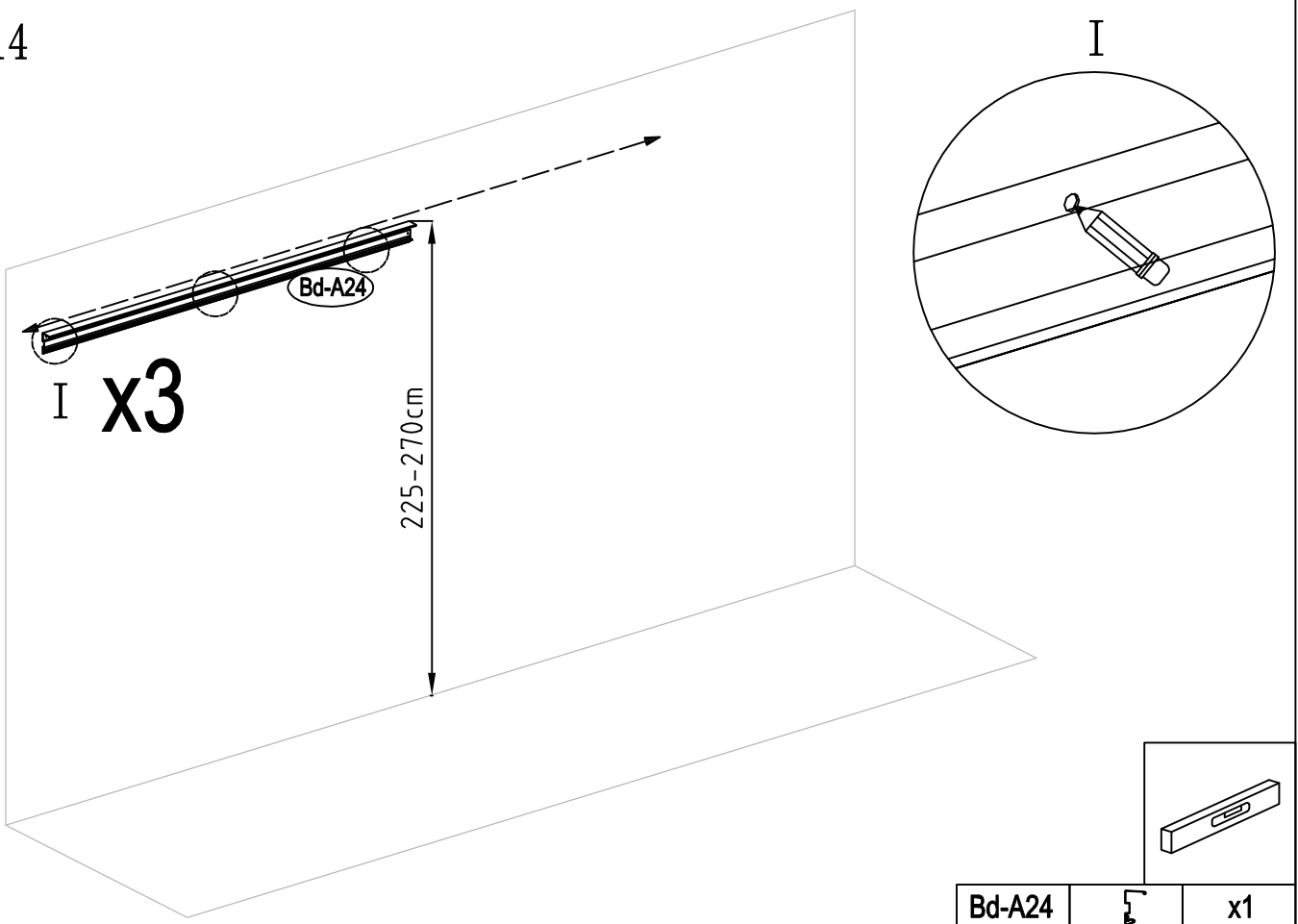
13

I+II



Bd-P3L		x1
Bd-P3R		x1
Bd-H33		x6

14



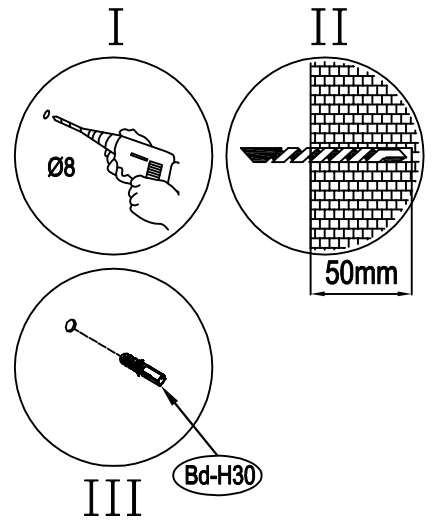
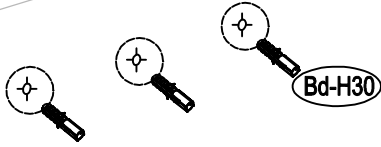
Bd-A24		x1
--------	--	----

7



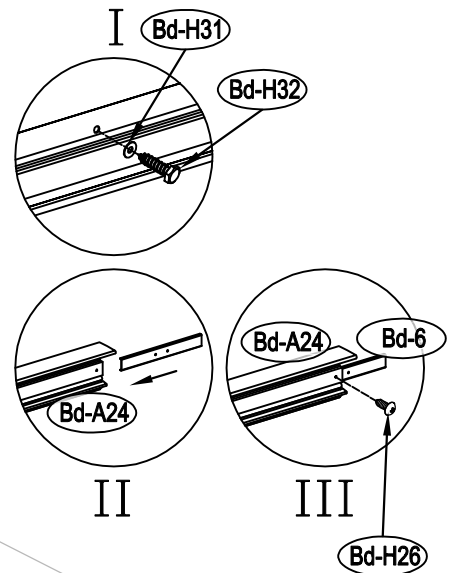
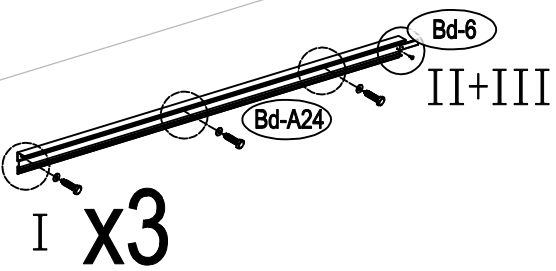
15

I+II+III x3



Bd-H30		x3
--------	--	----

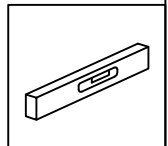
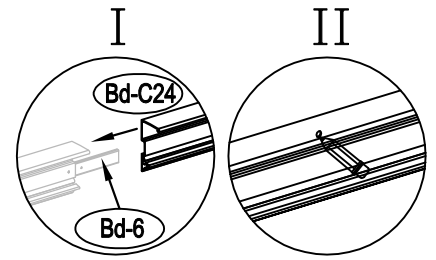
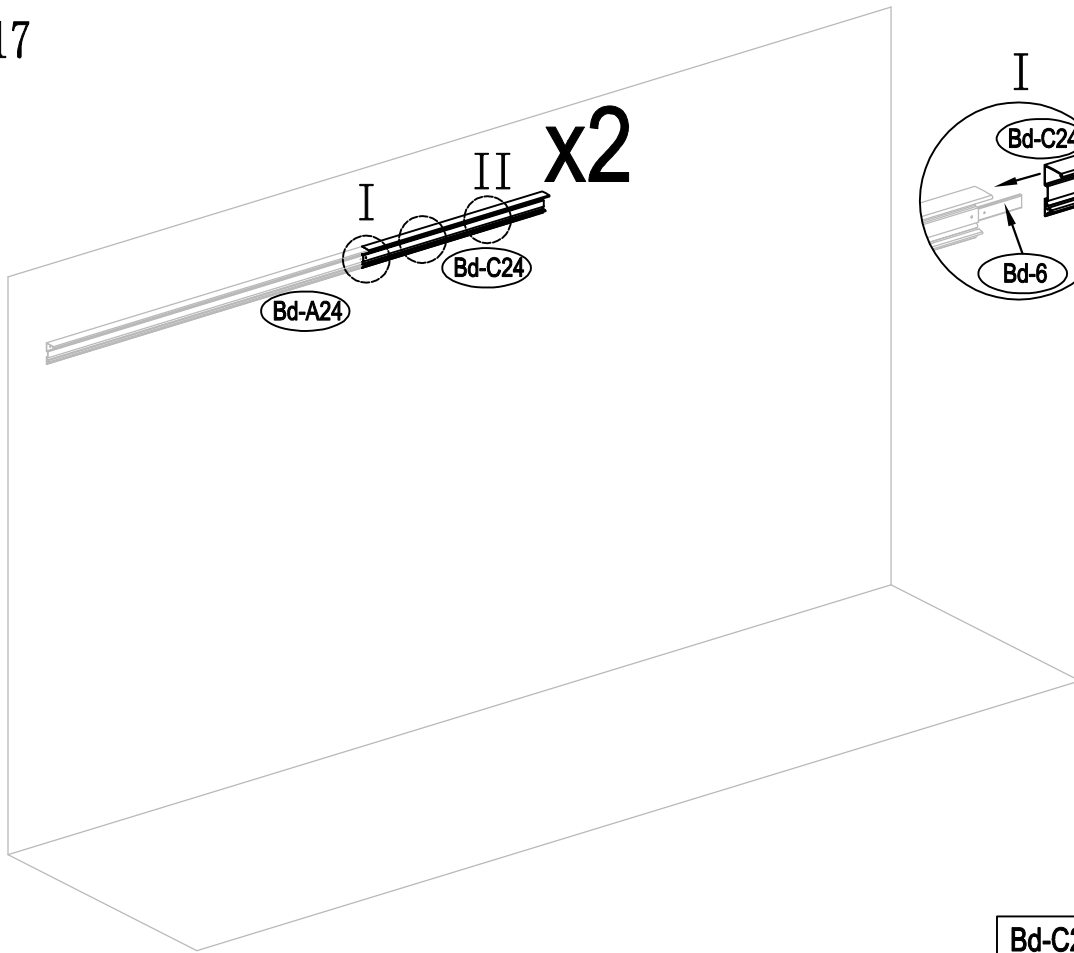
16



Bd-6		x1
Bd-H26		x1
Bd-H31		x3
Bd-H32		x3

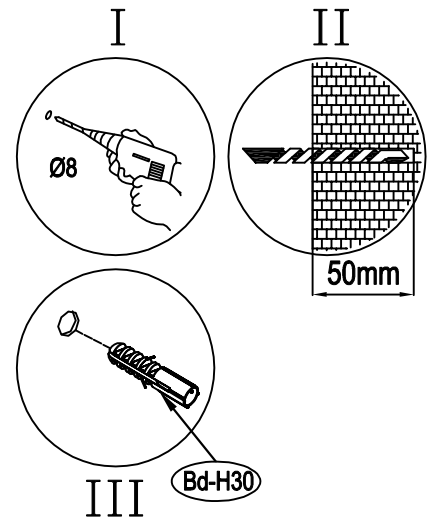
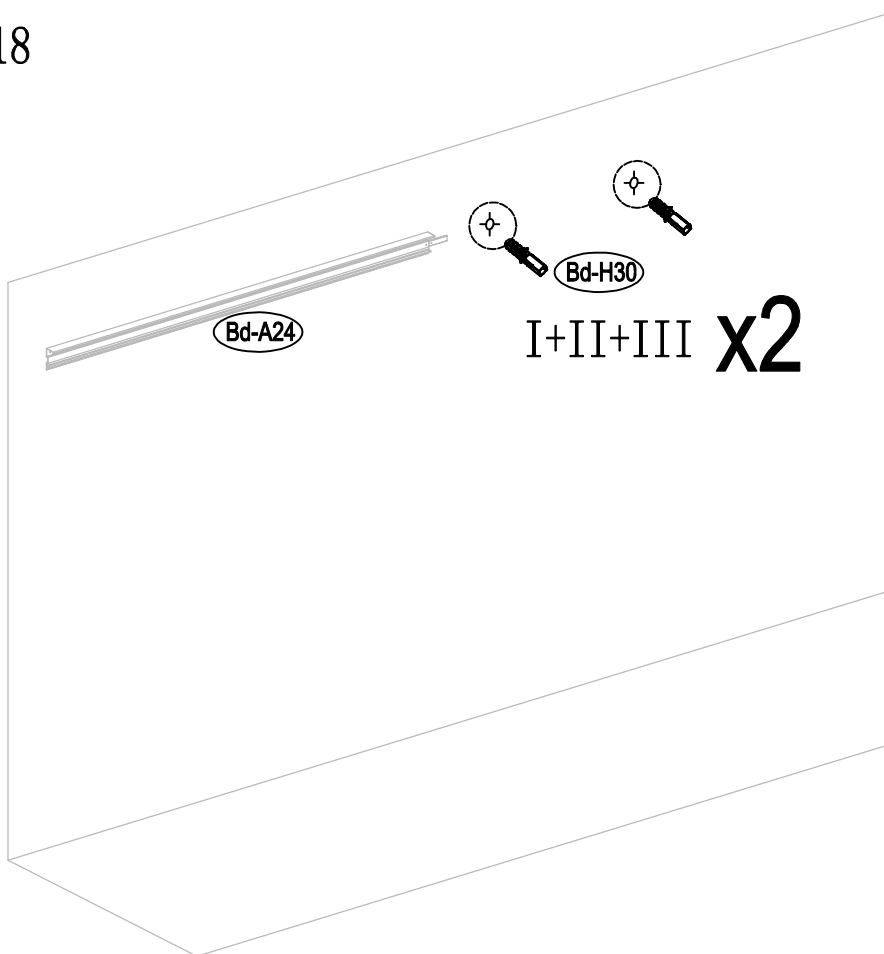


17



Bd-C24		x1
--------	---	----

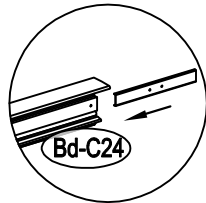
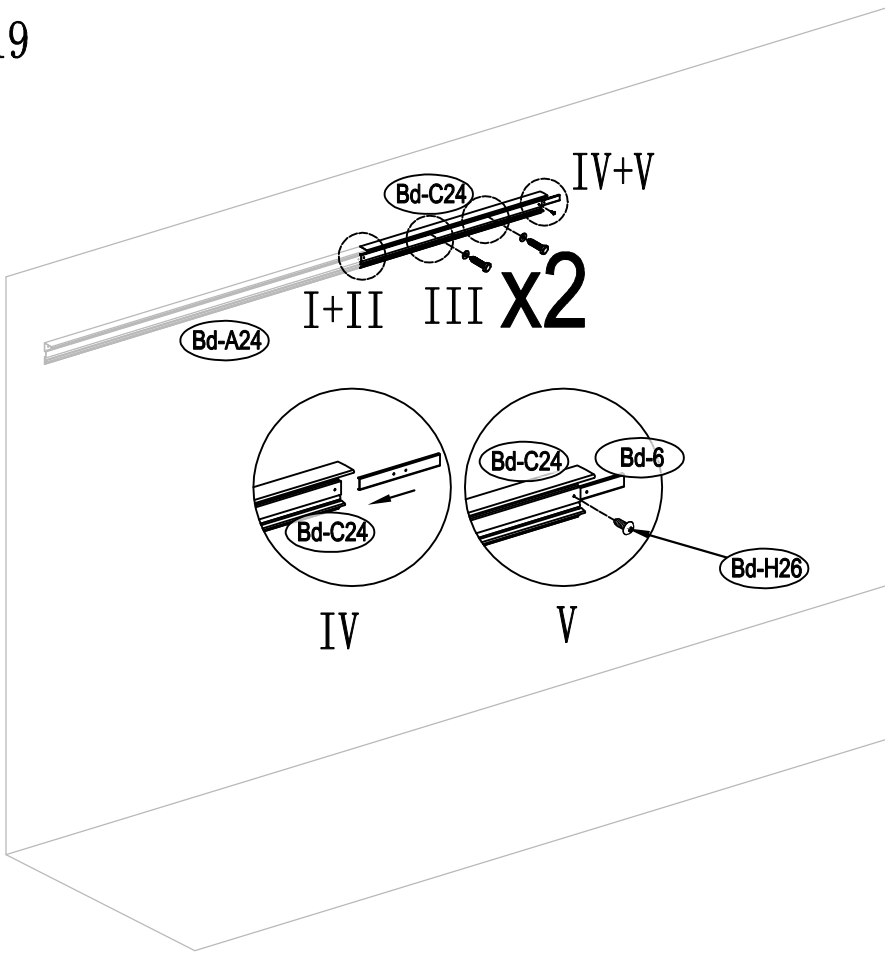
18



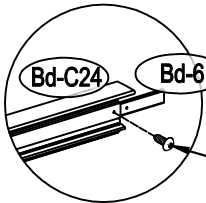
Bd-H30		x2
--------	---	----



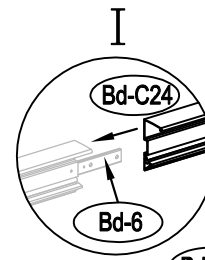
19



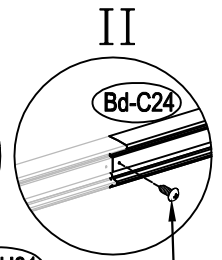
IV



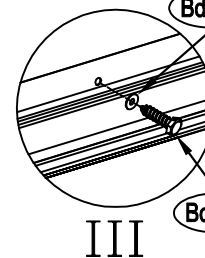
V








I



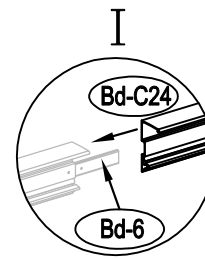
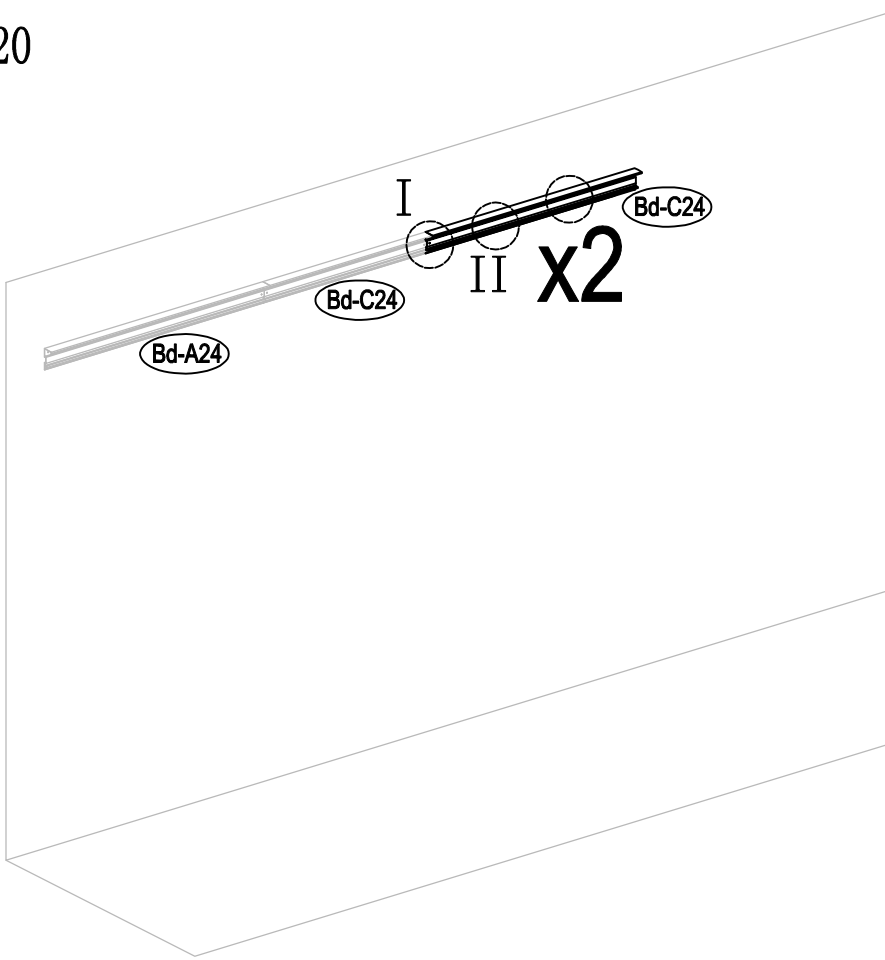
II



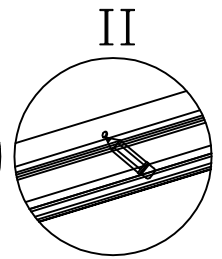
III

Bd-6		x1
Bd-C24		x1
Bd-H26		x2
Bd-H31		x2
Bd-H32		x2

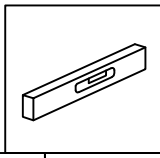
20




I



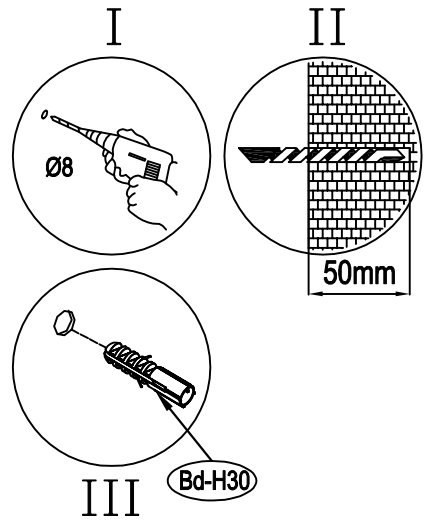
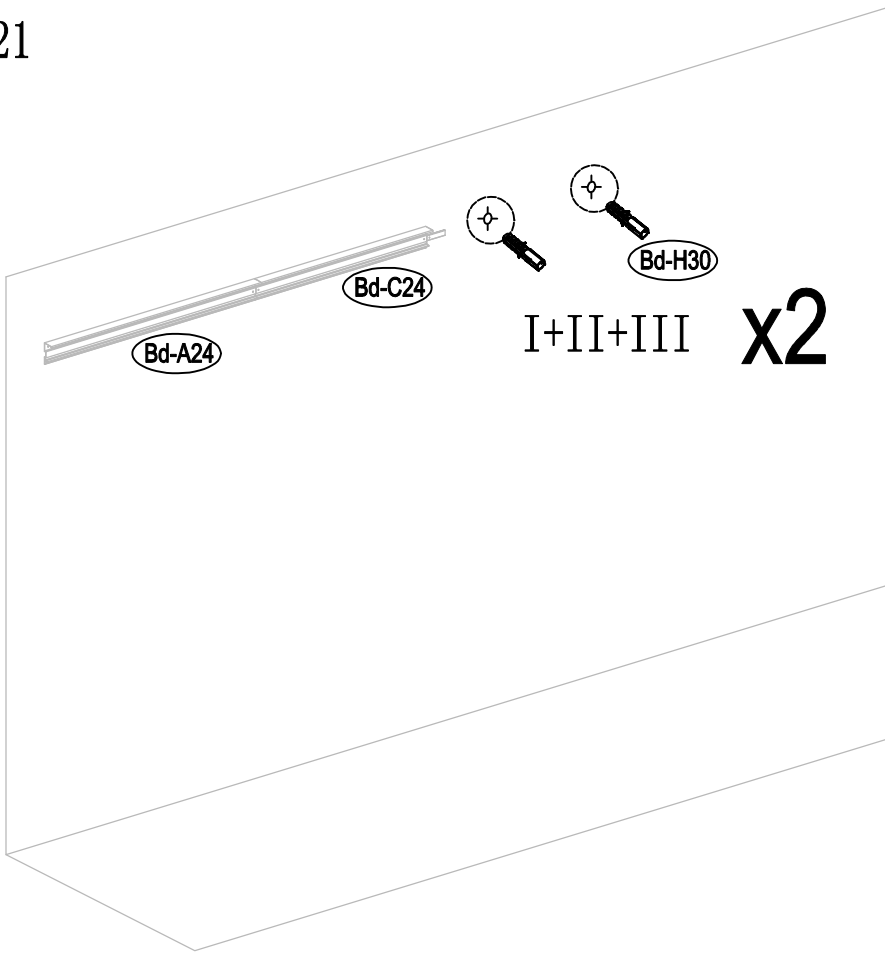
II



Bd-C24		x1
--------	---	----

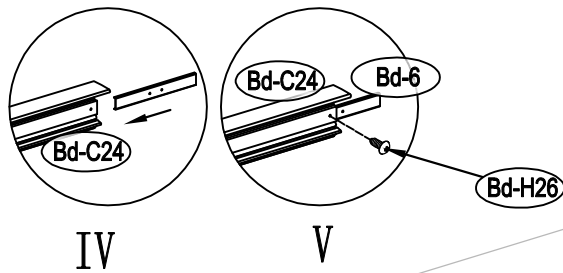
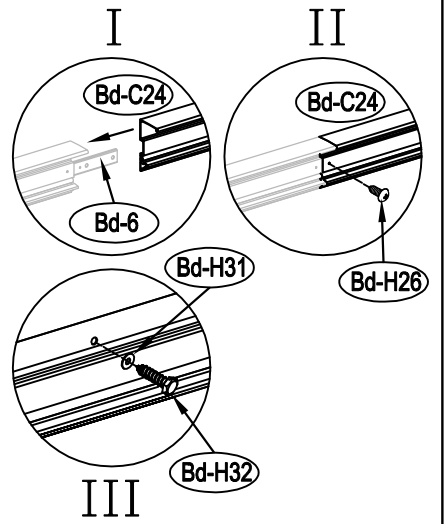
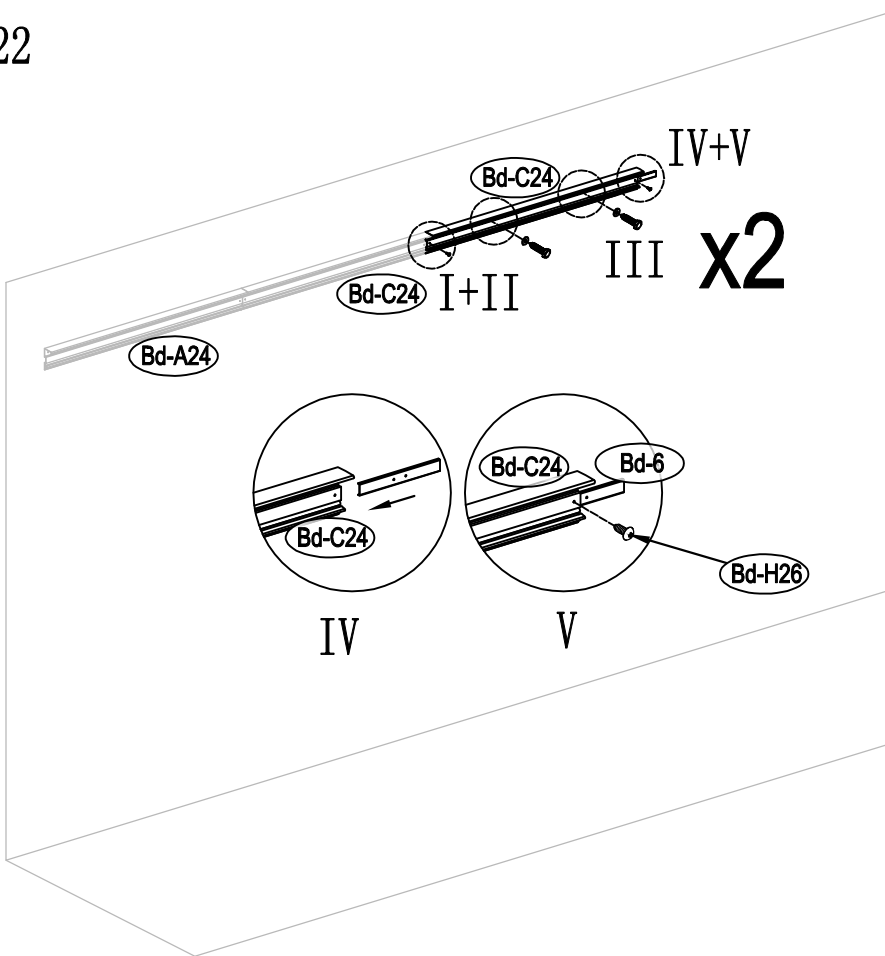





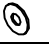

21



Bd-H30		x2
--------	---	----

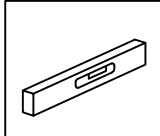
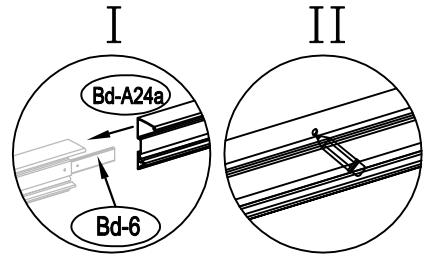
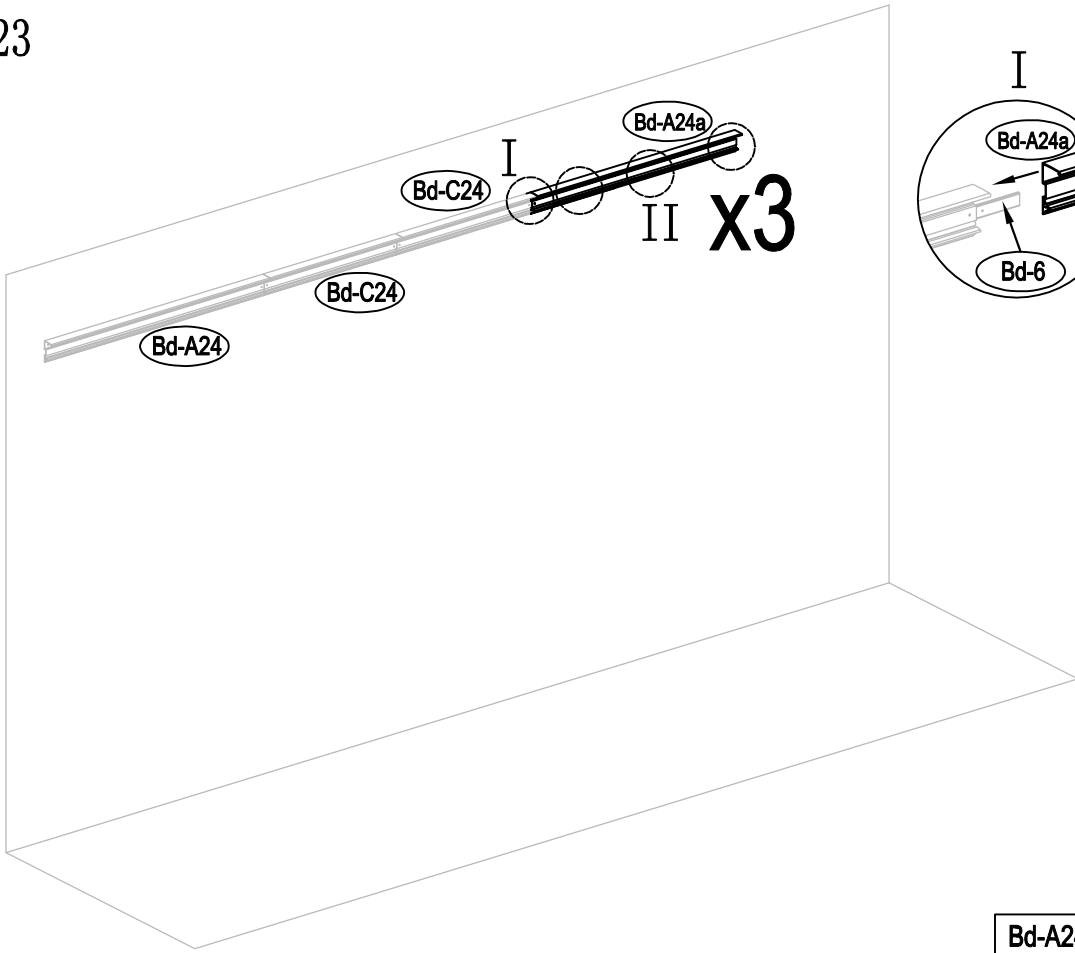
22



Bd-6		x1
Bd-C24		x1
Bd-H26		x2
Bd-H31		x2
Bd-H32		x2

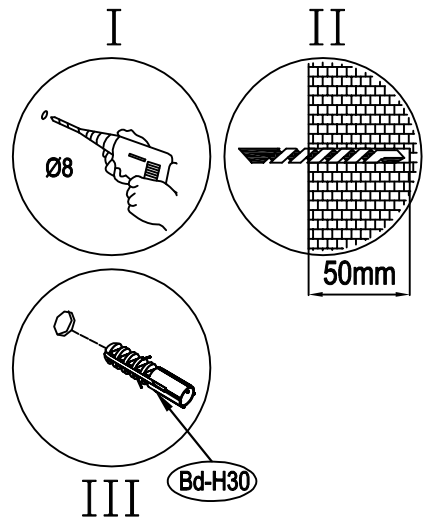
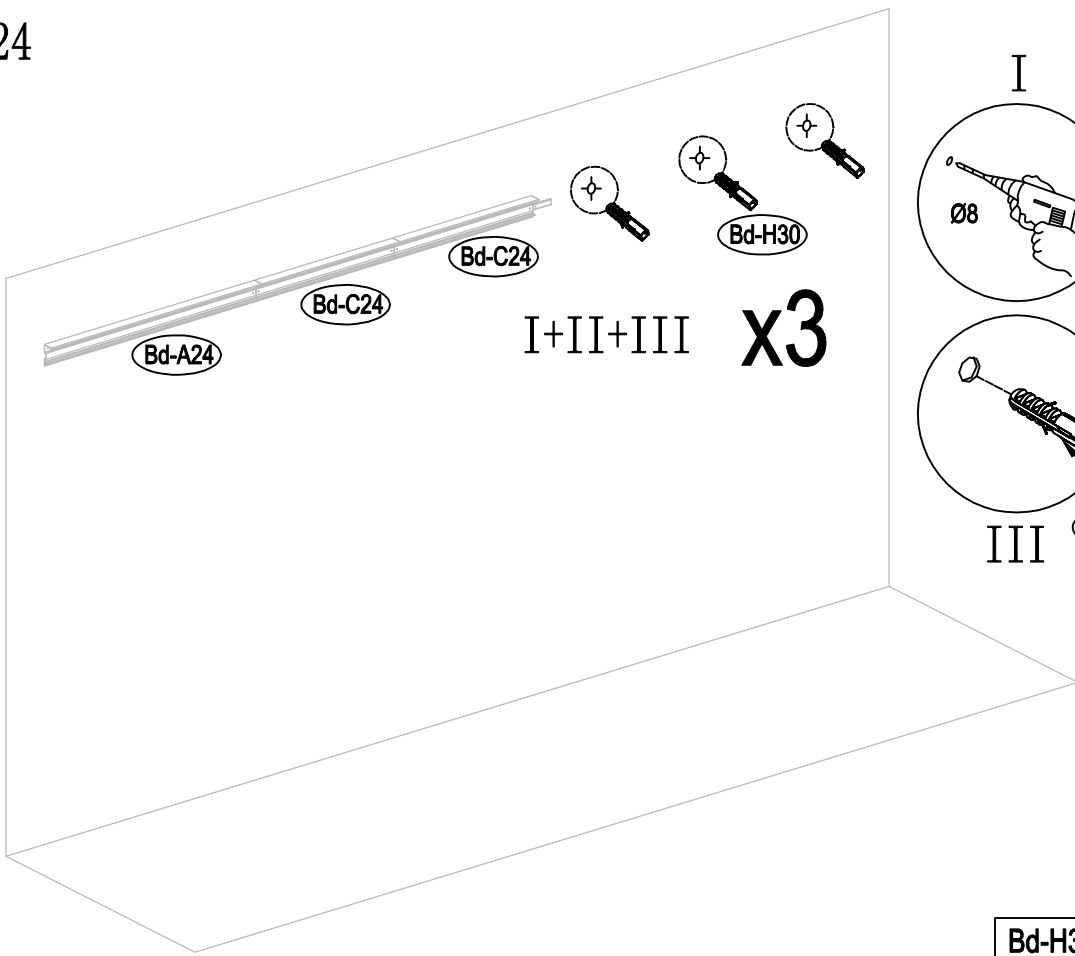


23



Bd-A24a		x1
---------	---	----

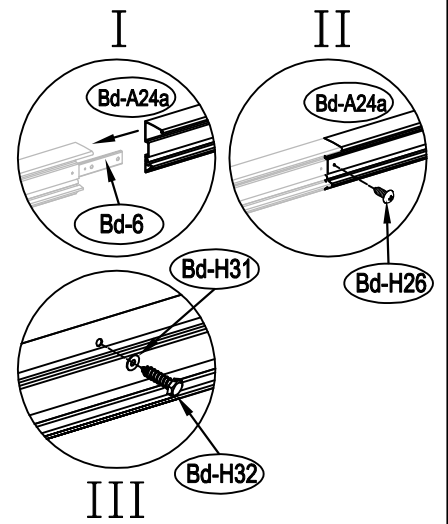
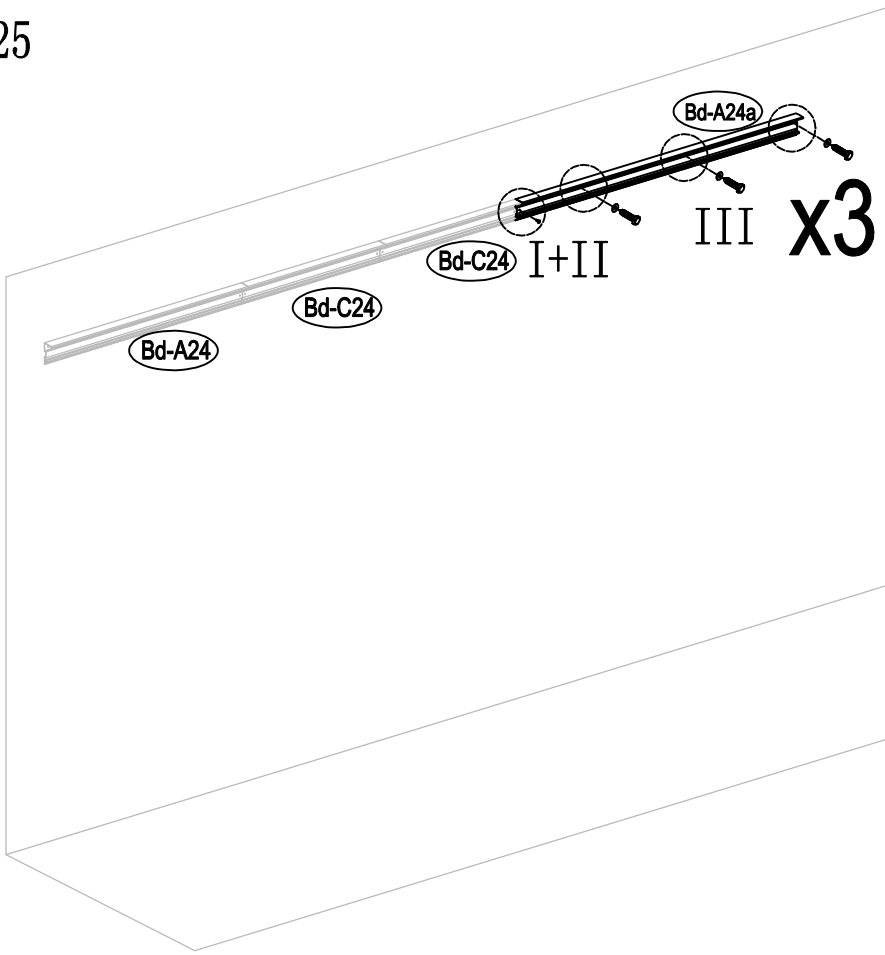
24



Bd-H30		x3
--------	---	----

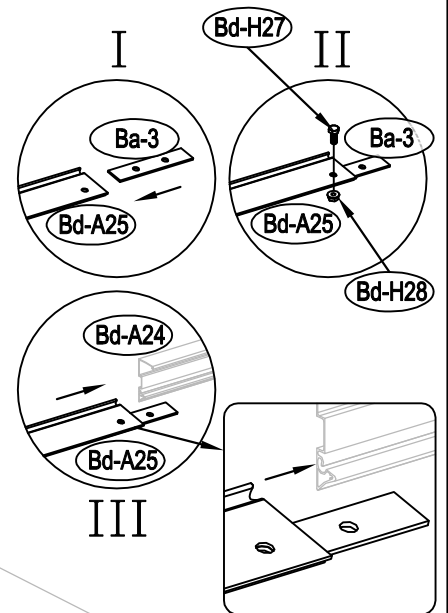
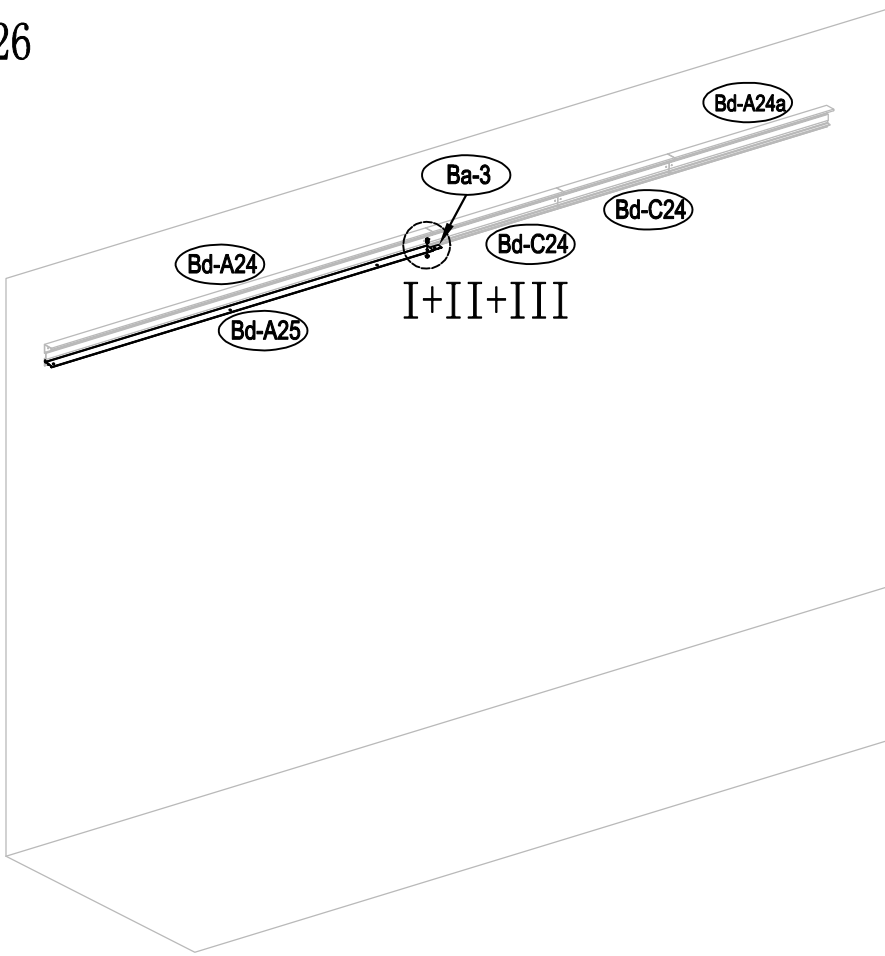


25



Bd-A24a		x1
Bd-H26		x1
Bd-H31		x3
Bd-H32		x3

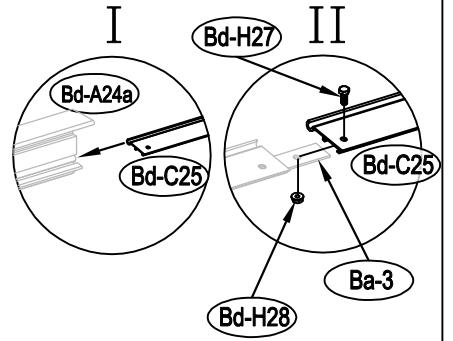
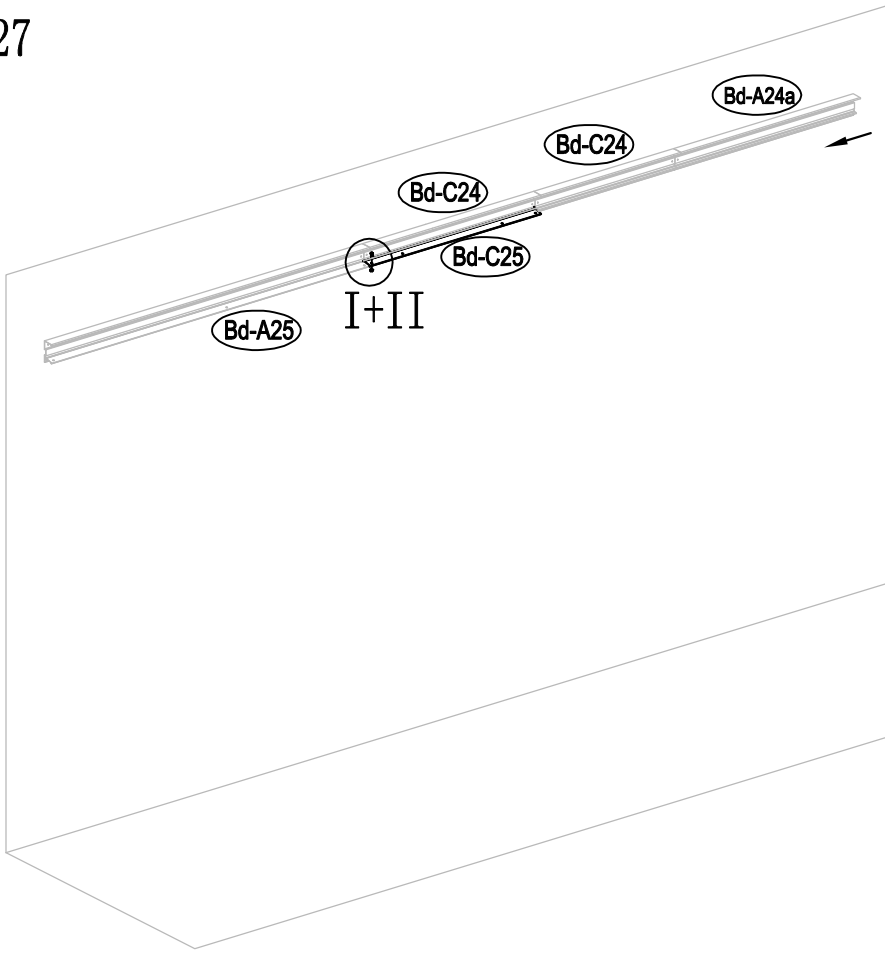
26



Ba-3		x1
Bd-A25		x1
Bd-H27		x1
Bd-H28		x1

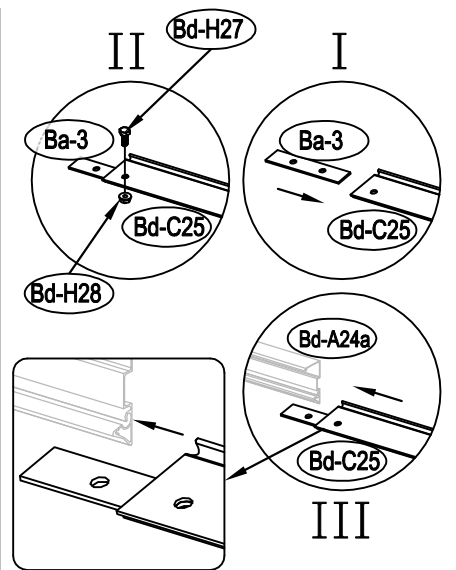
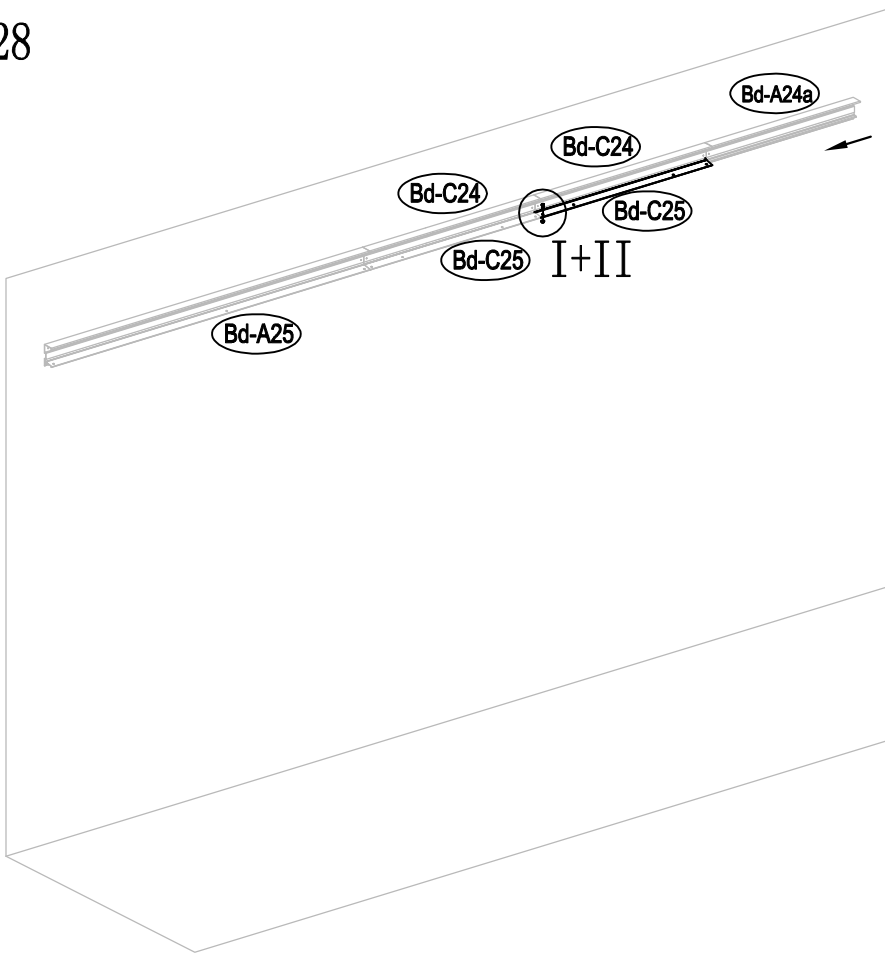


27



Bd-C25		x1
Bd-H27		x1
Bd-H28		x1

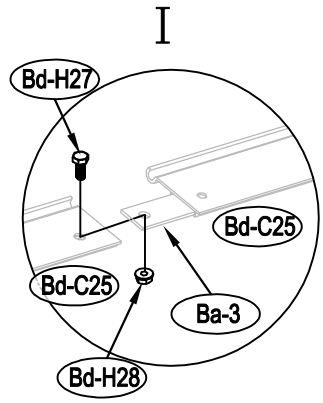
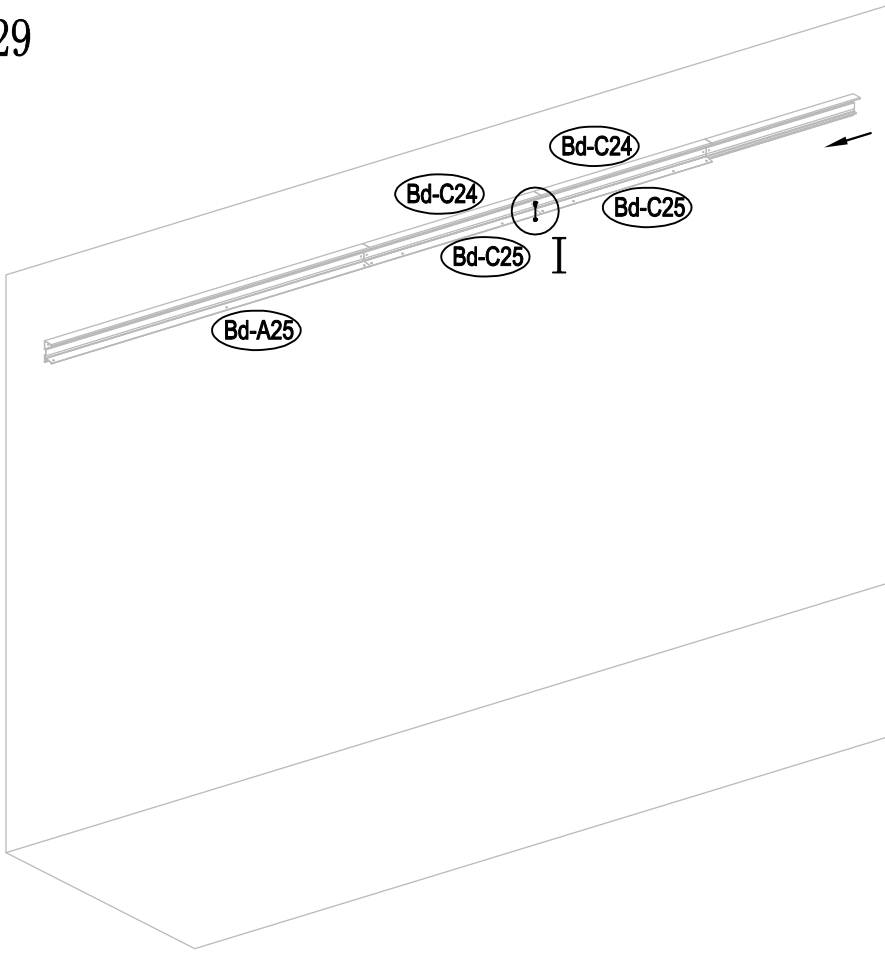
28





Ba-3		x1
Bd-C25		x1
Bd-H27		x1
Bd-H28		x1

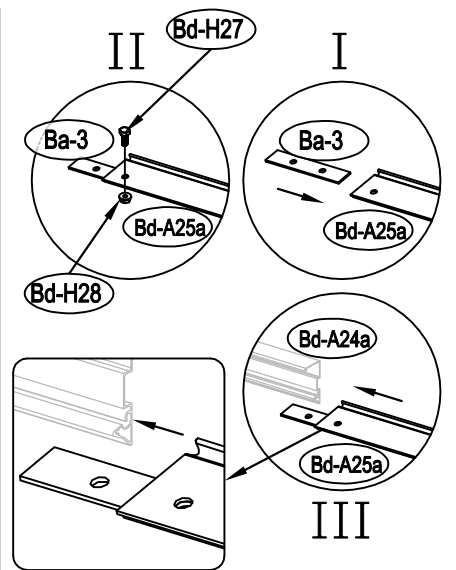
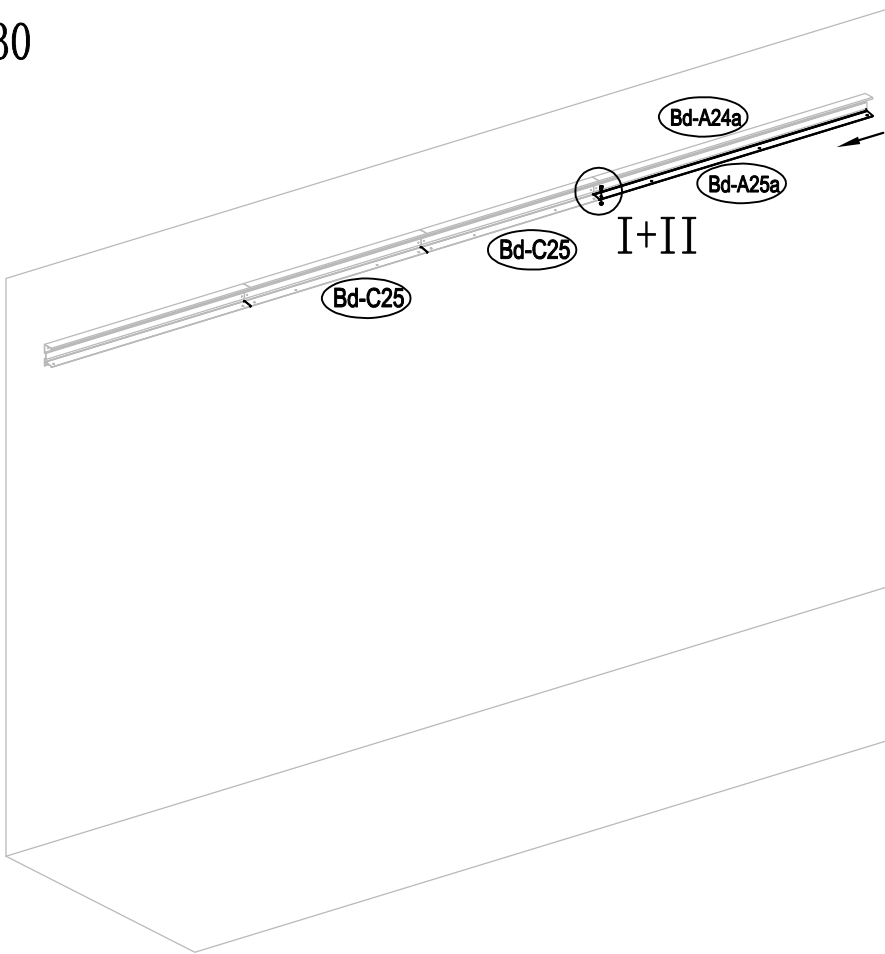






29



Bd-H27		x1
Bd-H28		x1

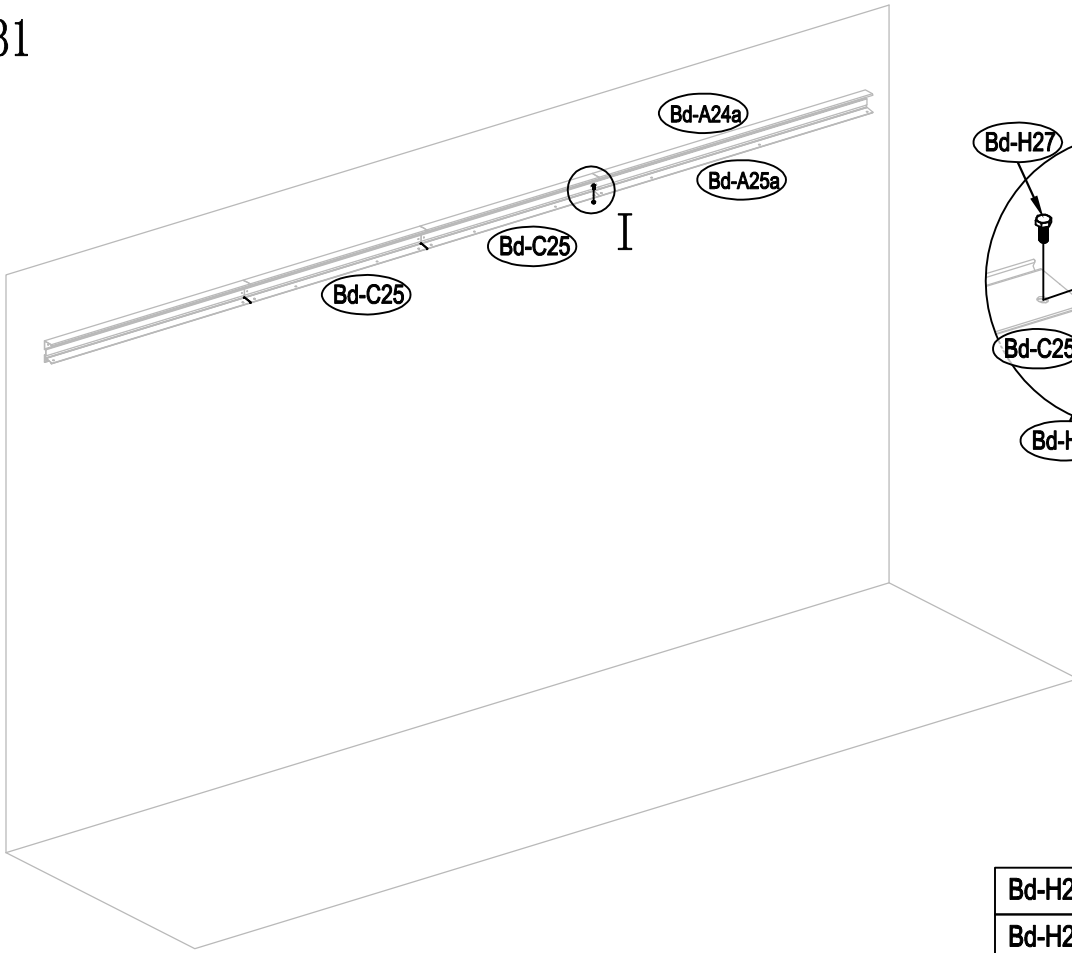
30





Ba-3		x1
Bd-A25a		x1
Bd-H27		x1
Bd-H28		x1

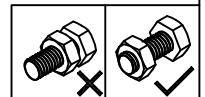
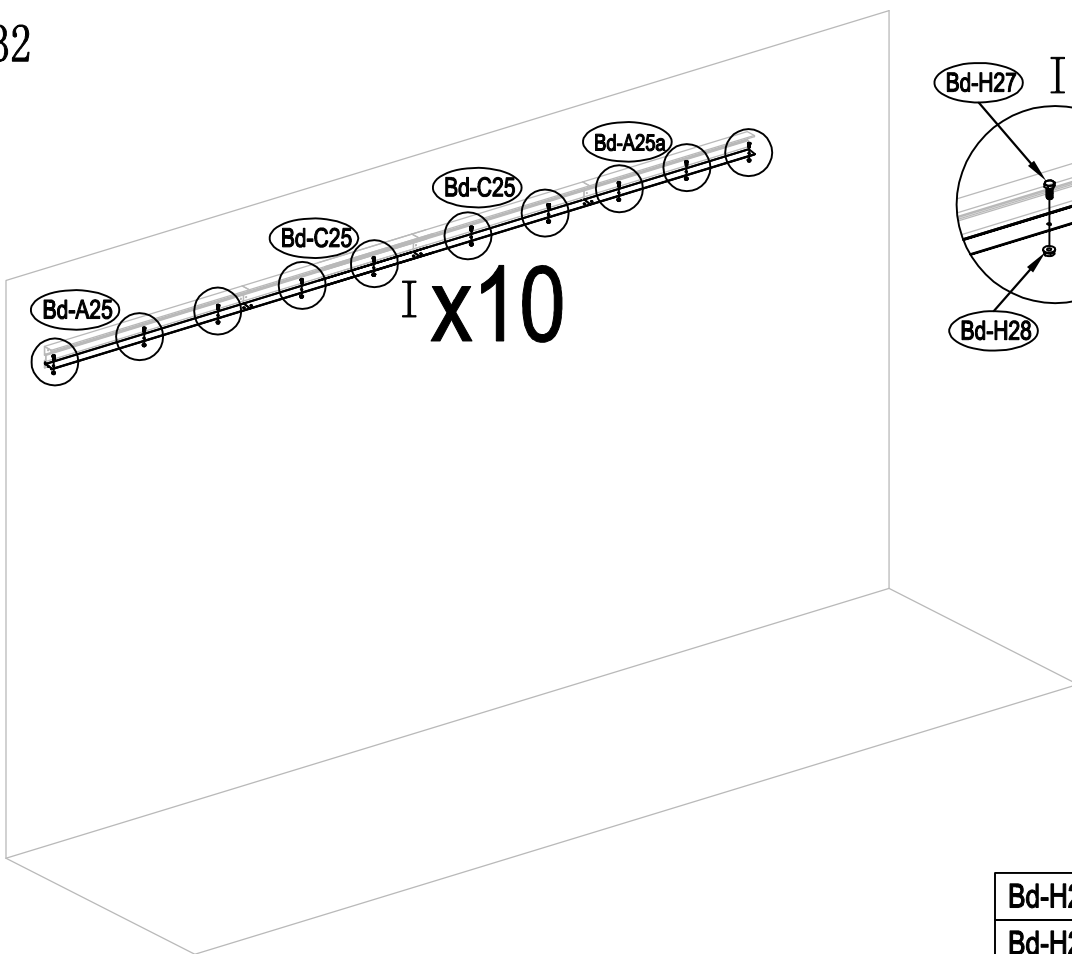




31



Bd-H27		x1
Bd-H28		x1

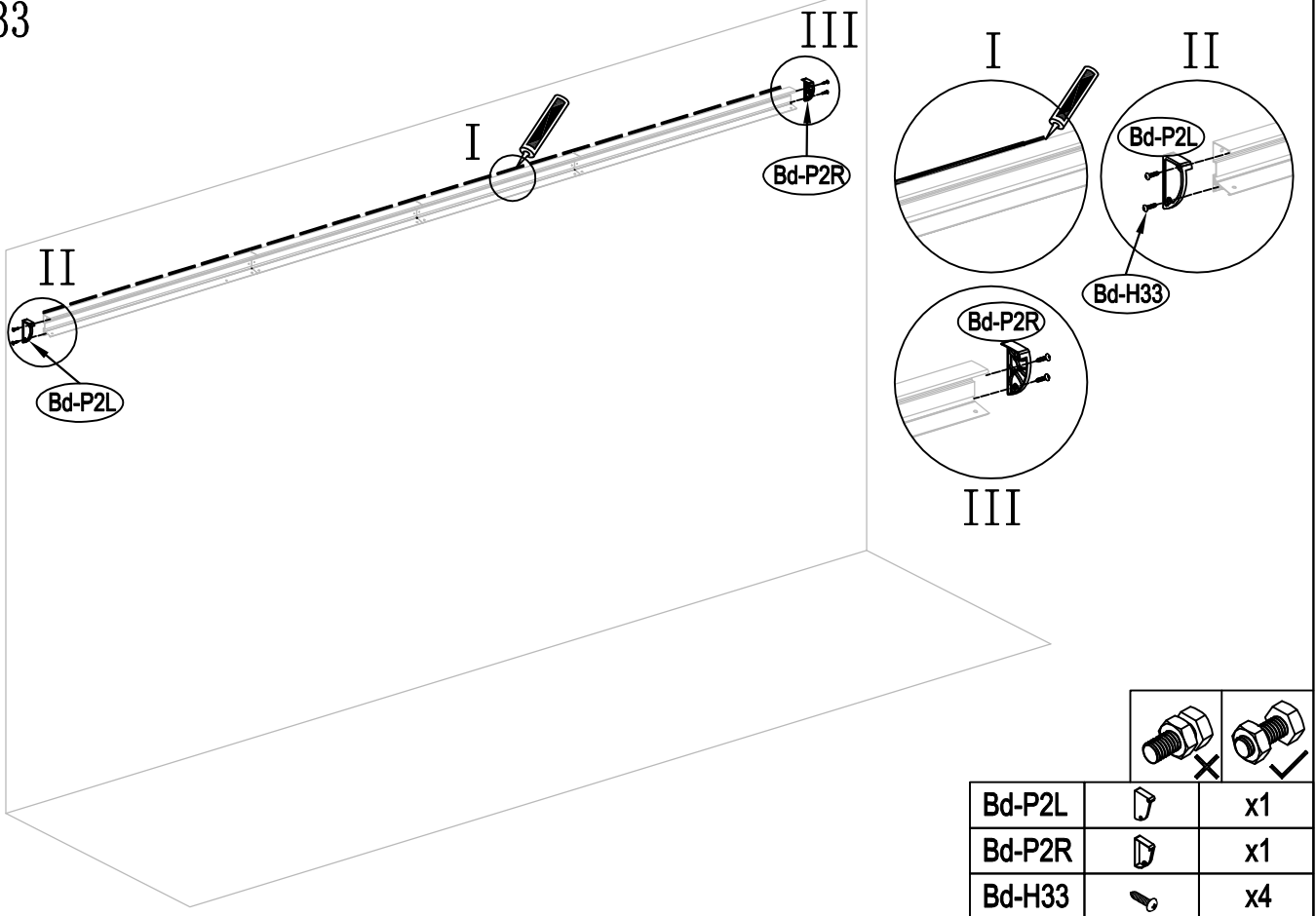
32



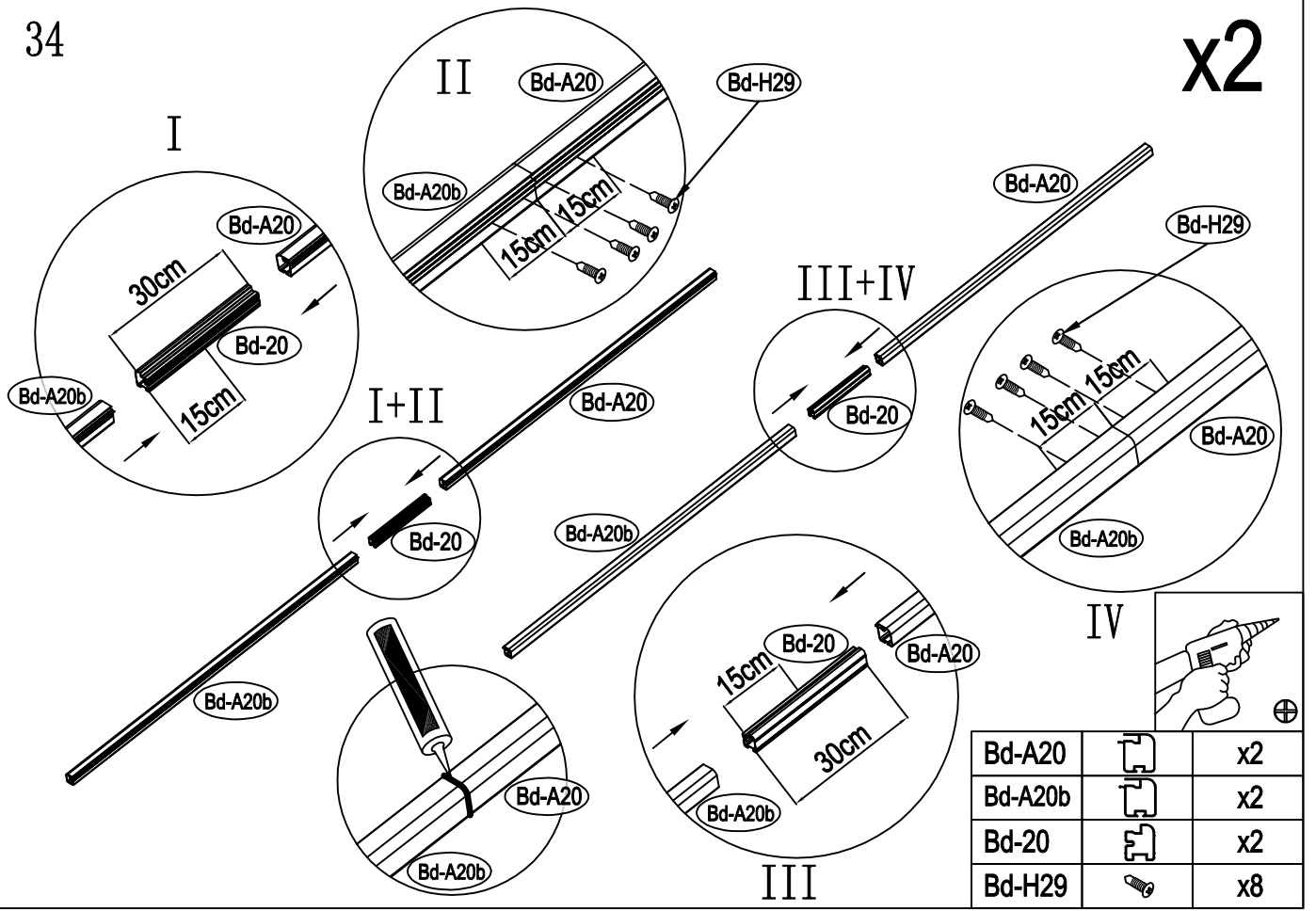
Bd-H27		x10
Bd-H28		x10



33

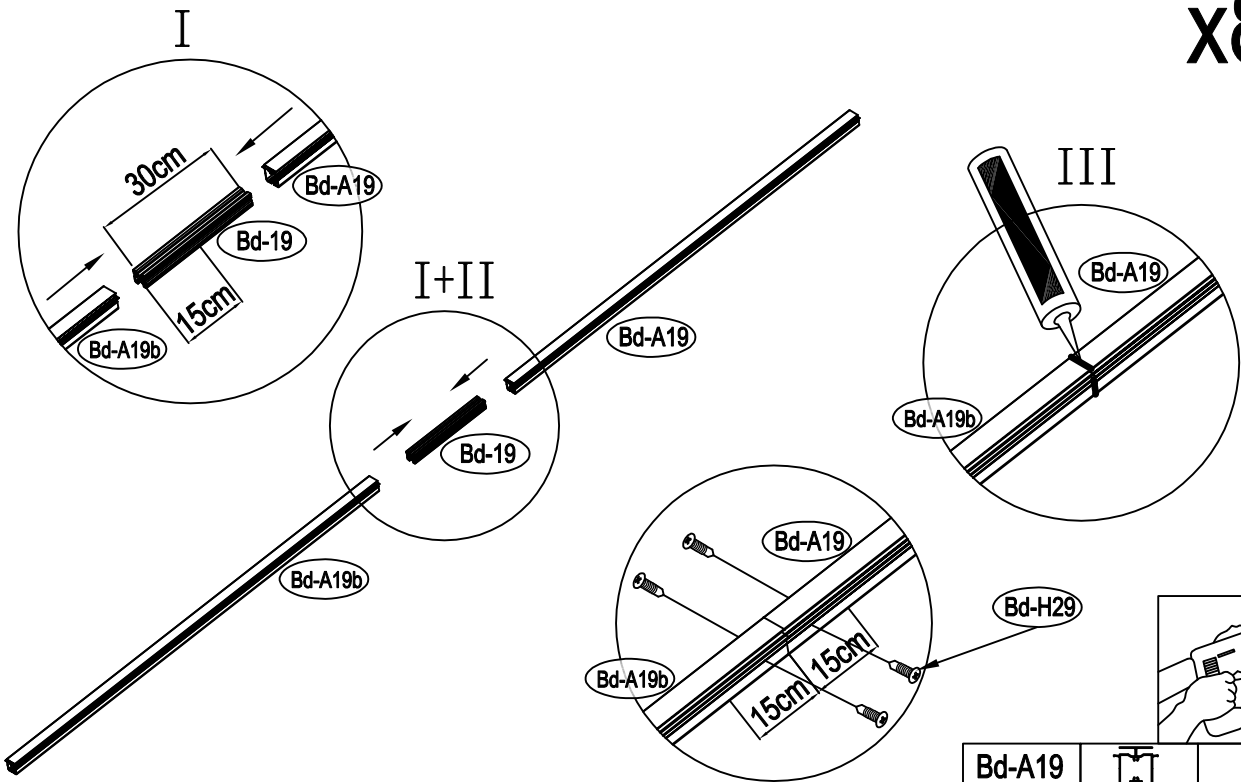


34



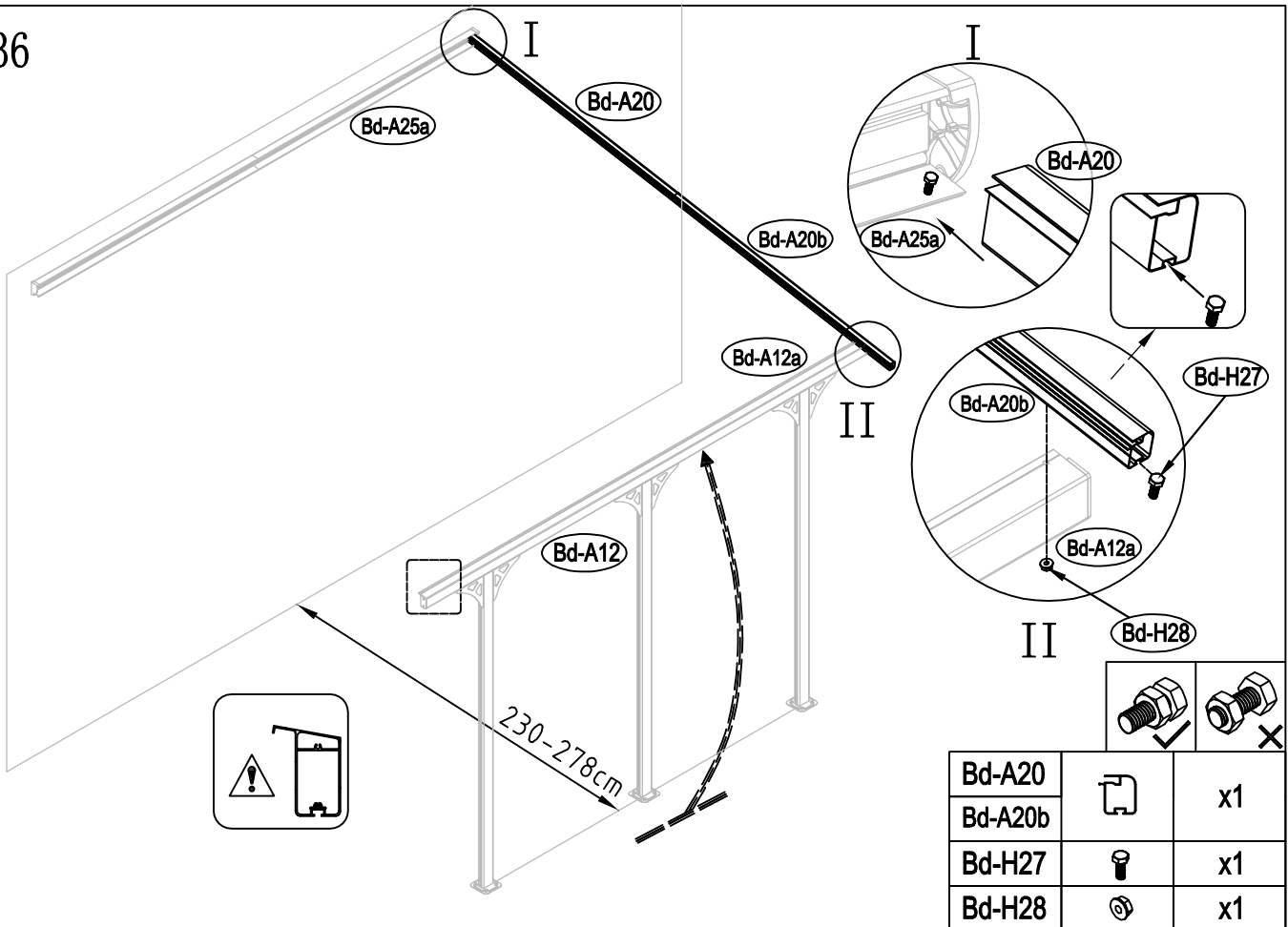
35

x8



Bd-A19		x8
Bd-A19b		x8
Bd-19		x8
Bd-H29		x32

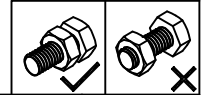
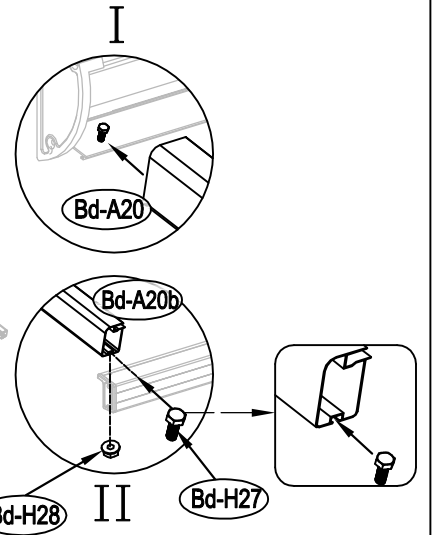
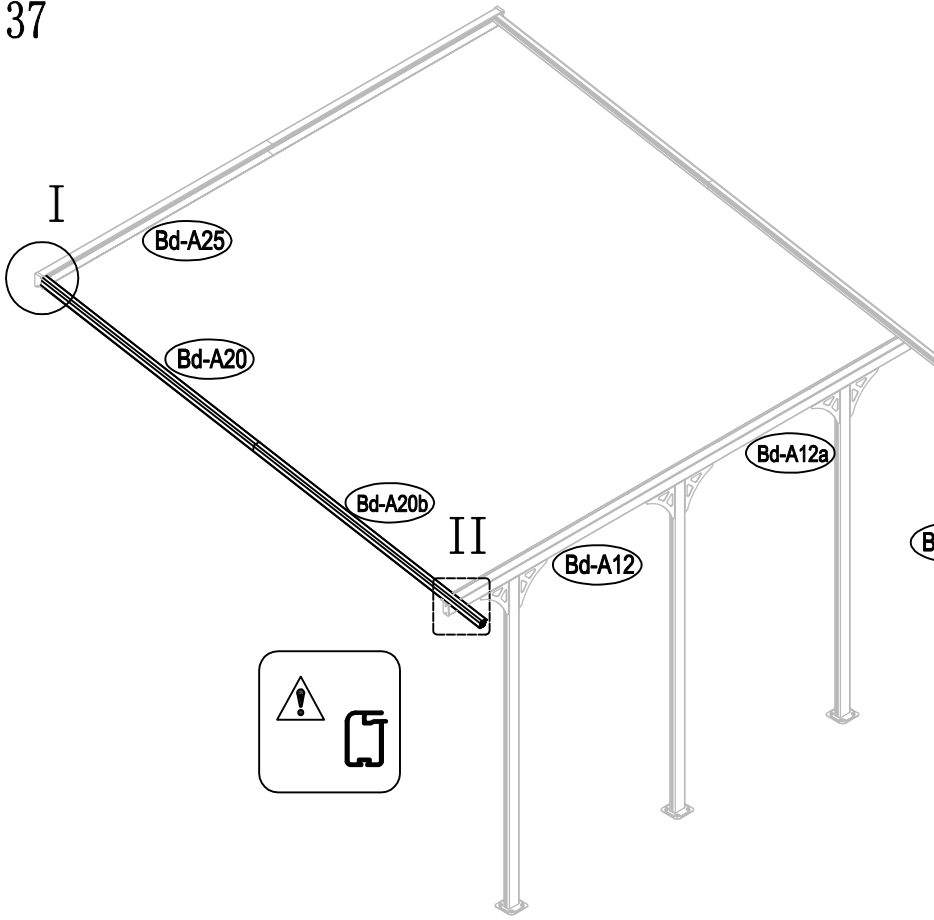
36



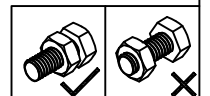
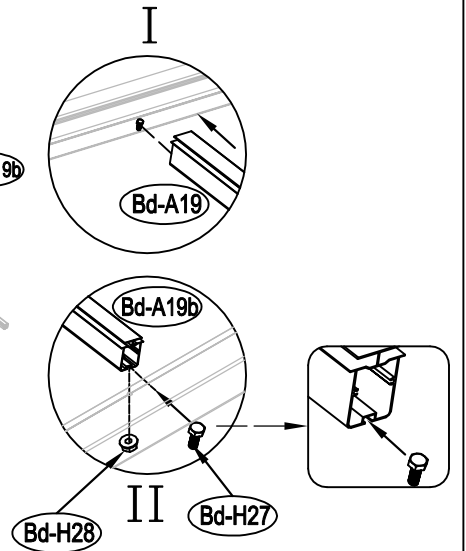
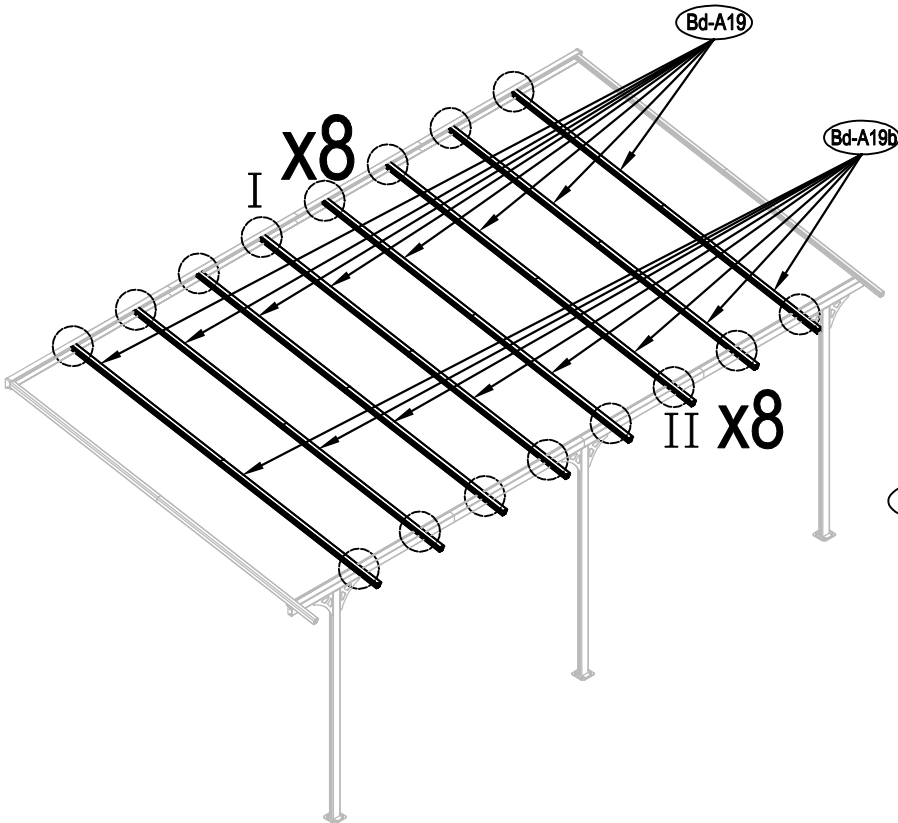
Bd-A20		x1
Bd-A20b		x1
Bd-H27		x1
Bd-H28		x1



37



Bd-A20		x1
Bd-A20b		x1
Bd-H27		x1
Bd-H28		x1

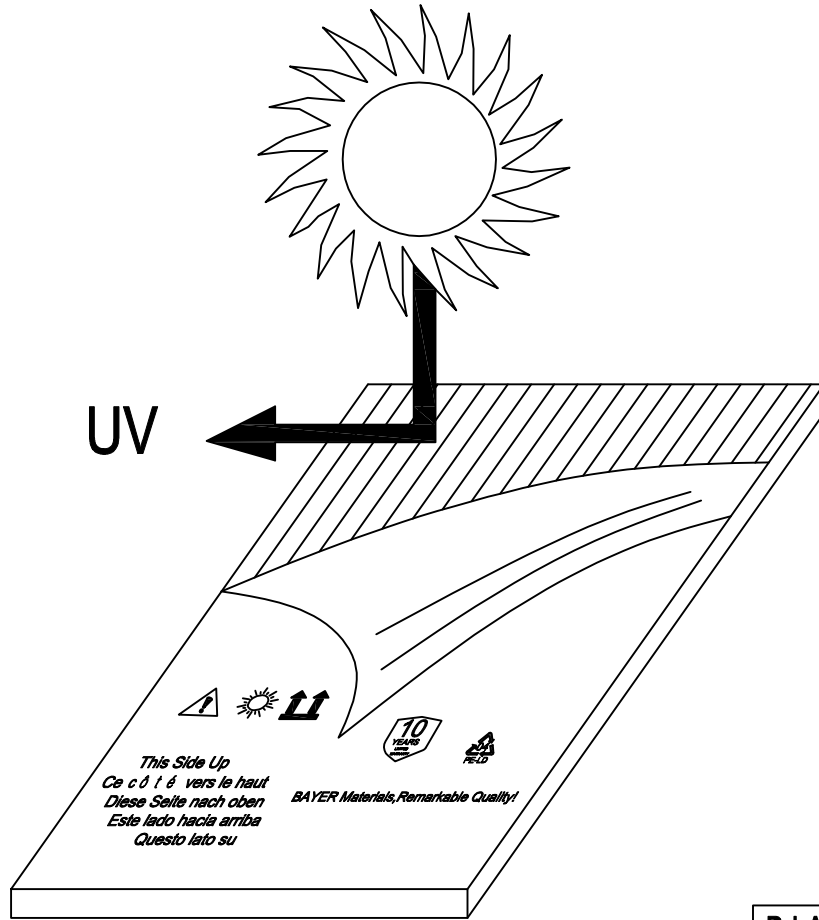


Bd-A19		x8
Bd-A19b		x8
Bd-H27		x8
Bd-H28		x8

19



38

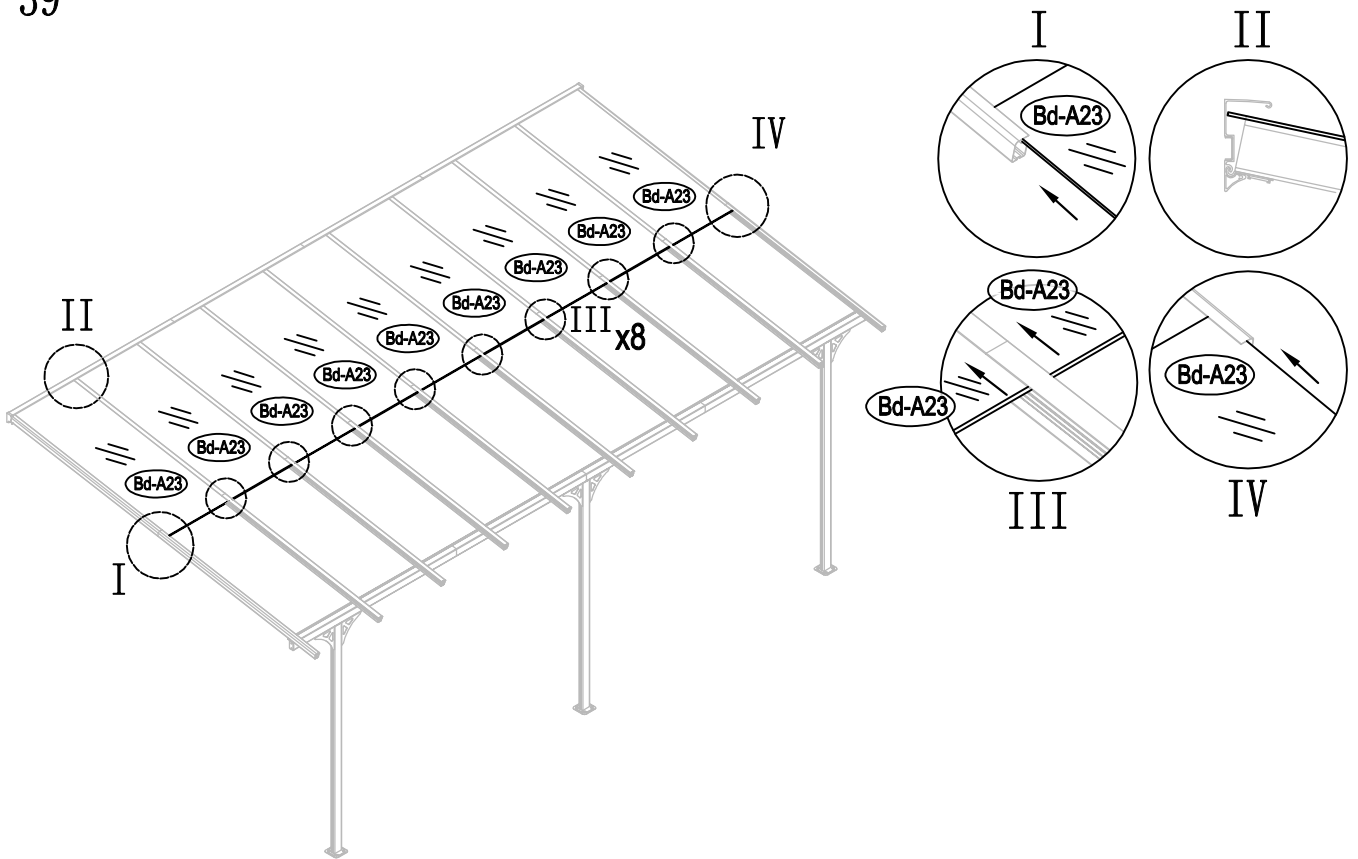


Bd-A23



x18

39



Bd-A23

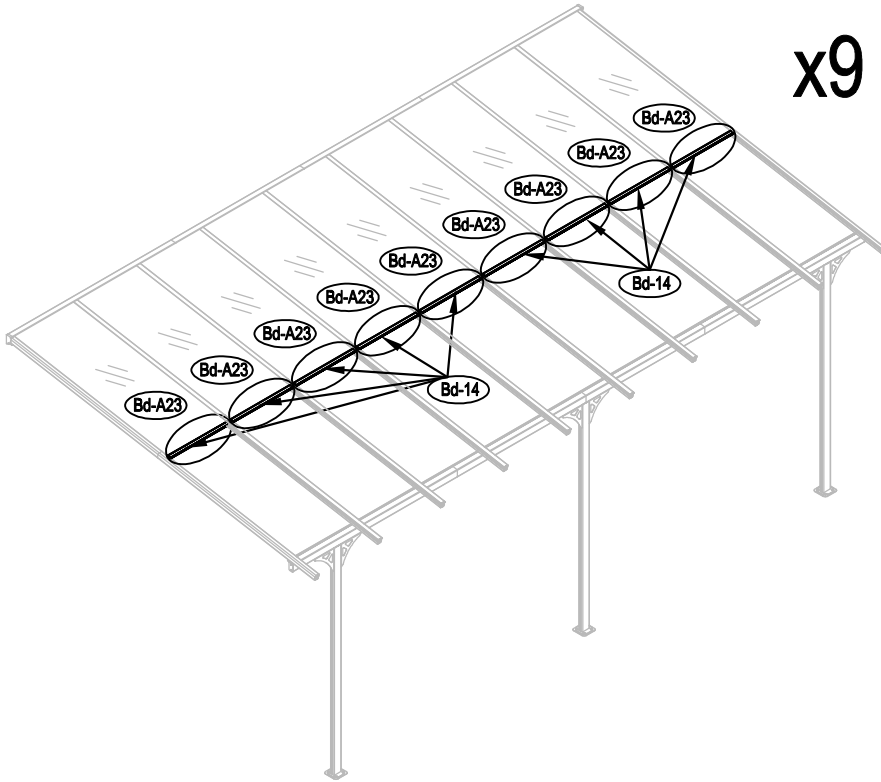


x9

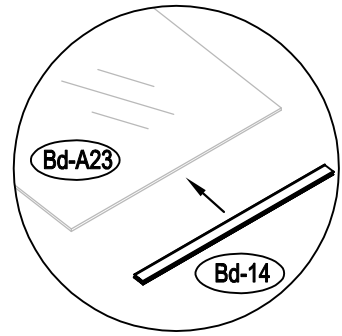
20



40



x9

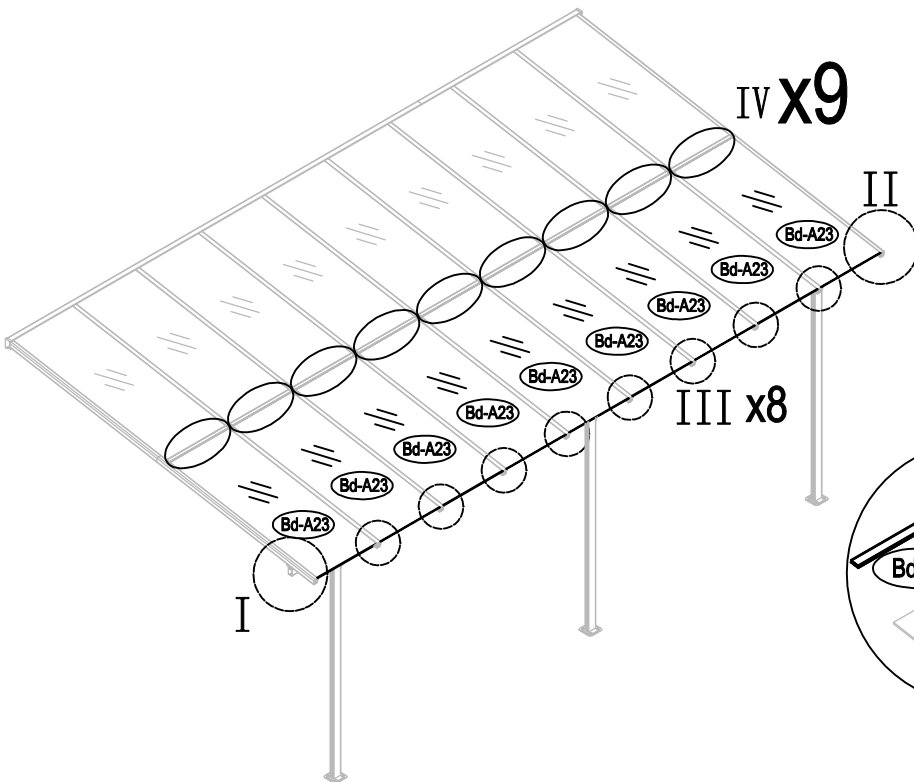


Bd-14

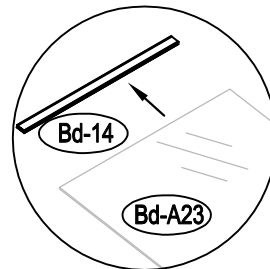
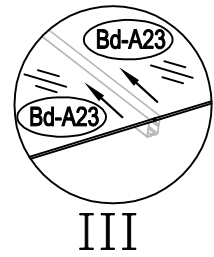
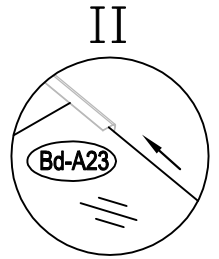
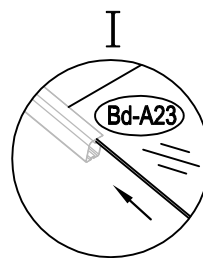


x9

41



IV x9



Bd-A23

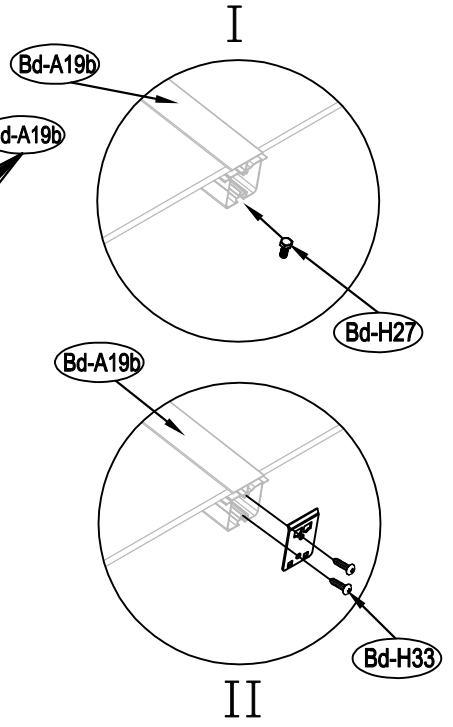
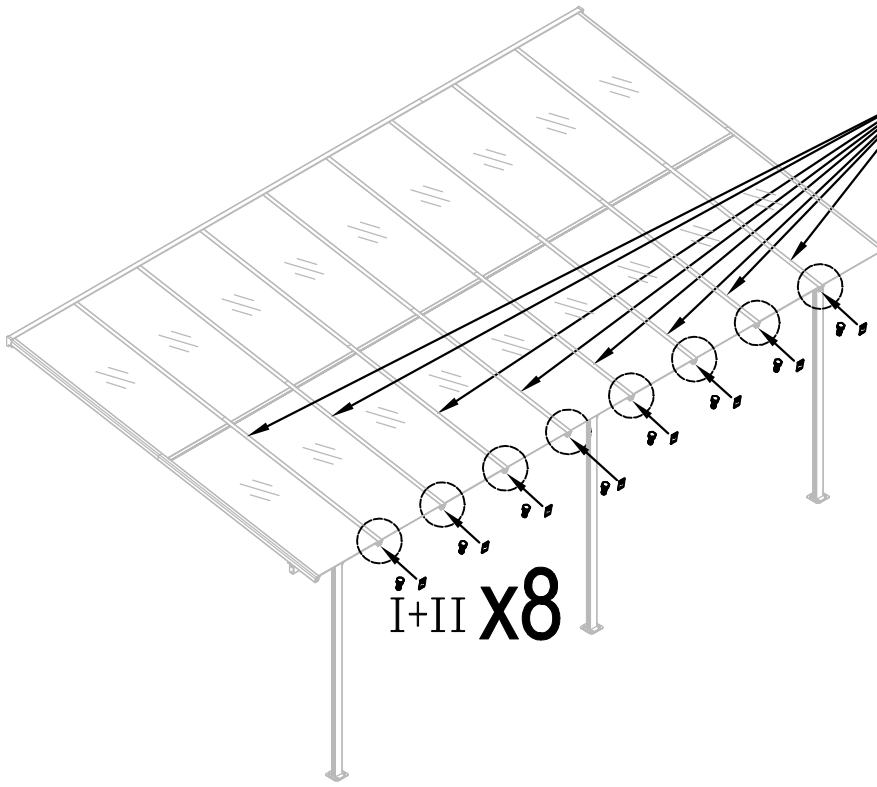


x9

21

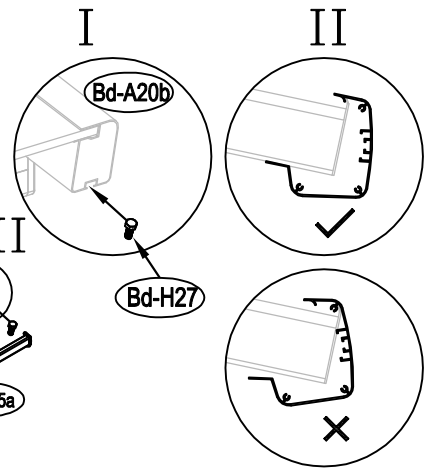
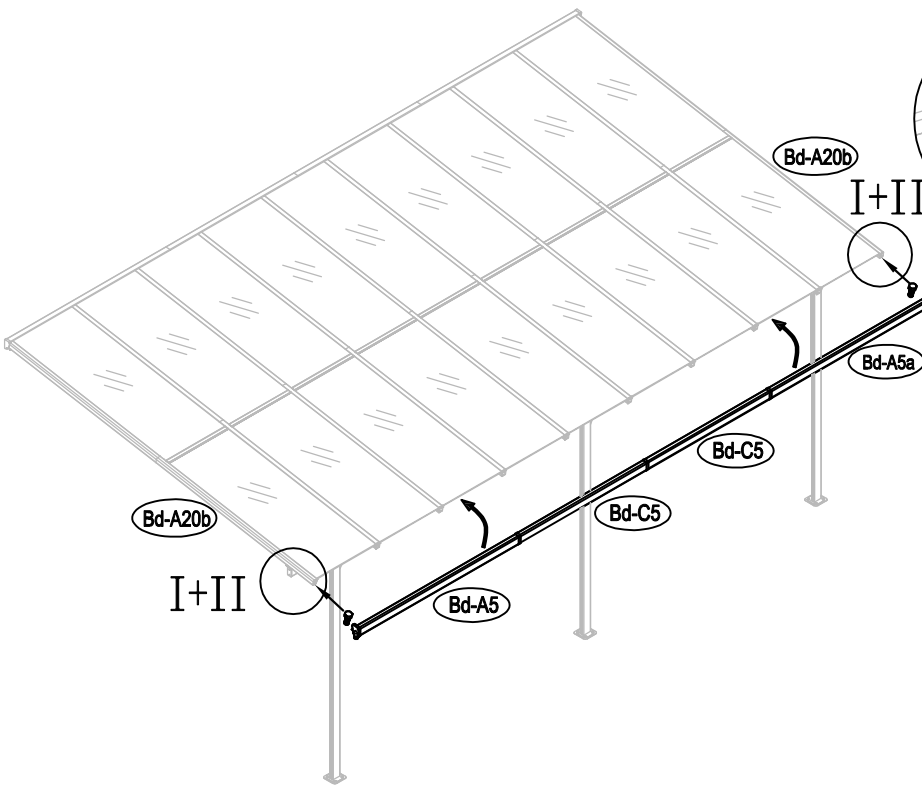


42



Bd-21		x8
Bd-H27		x8
Bd-H33		x16

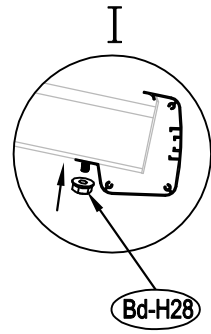
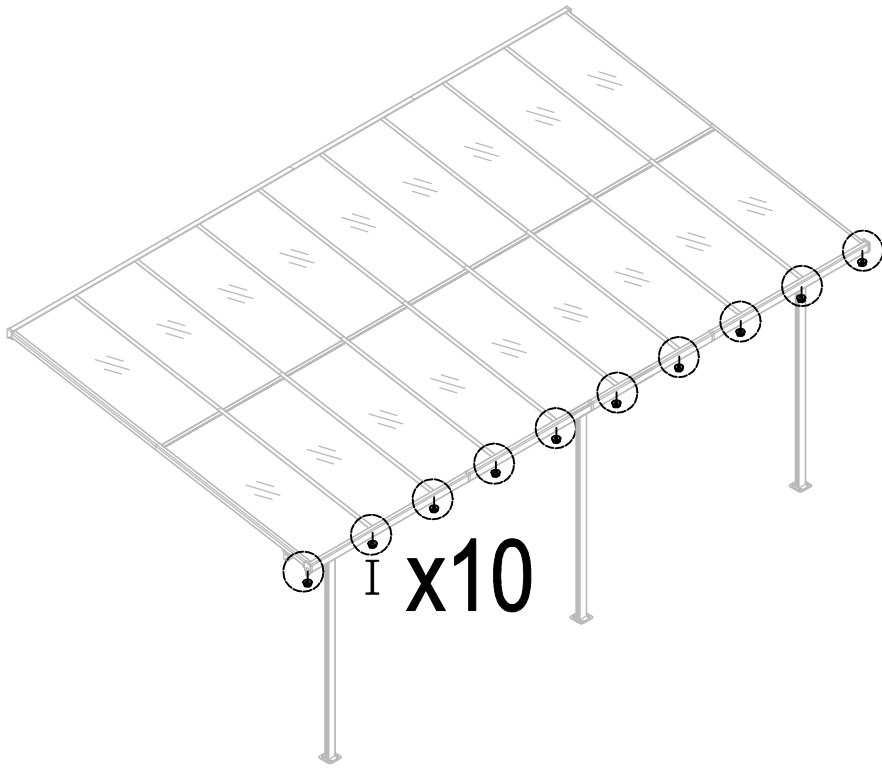
43



Bd-H27		x2
--------	--	----



44

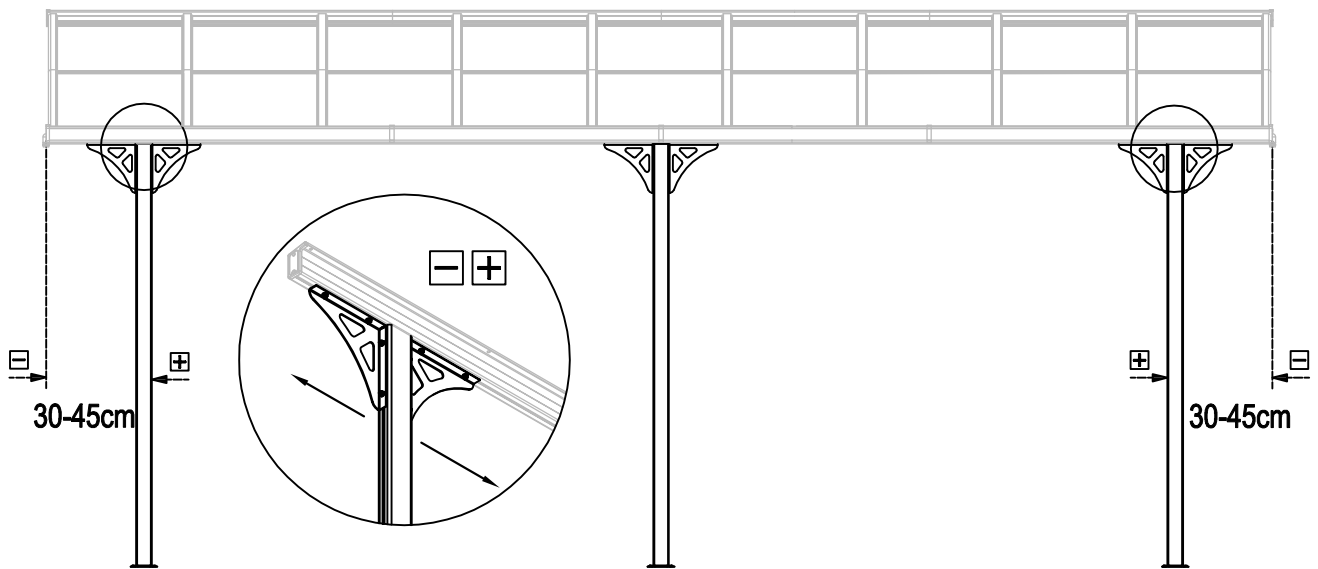


Bd-H28

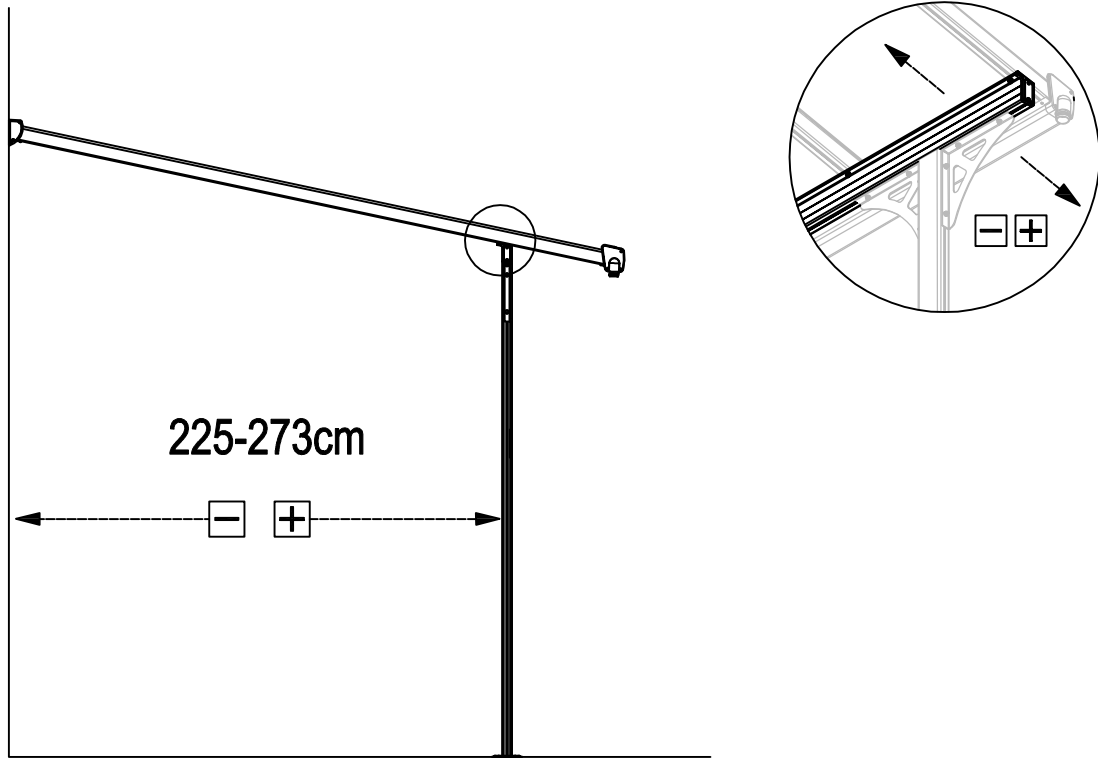


x10

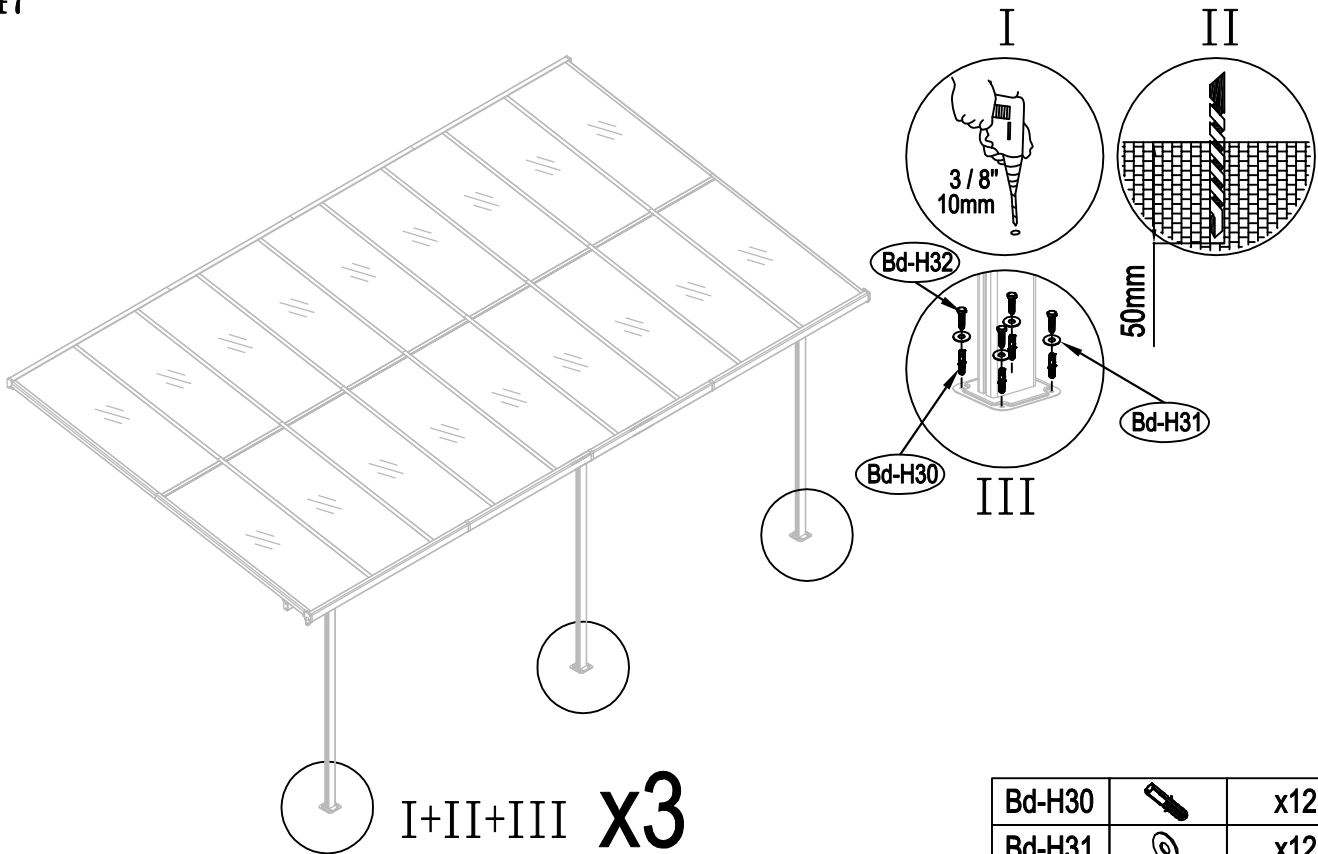
45



46



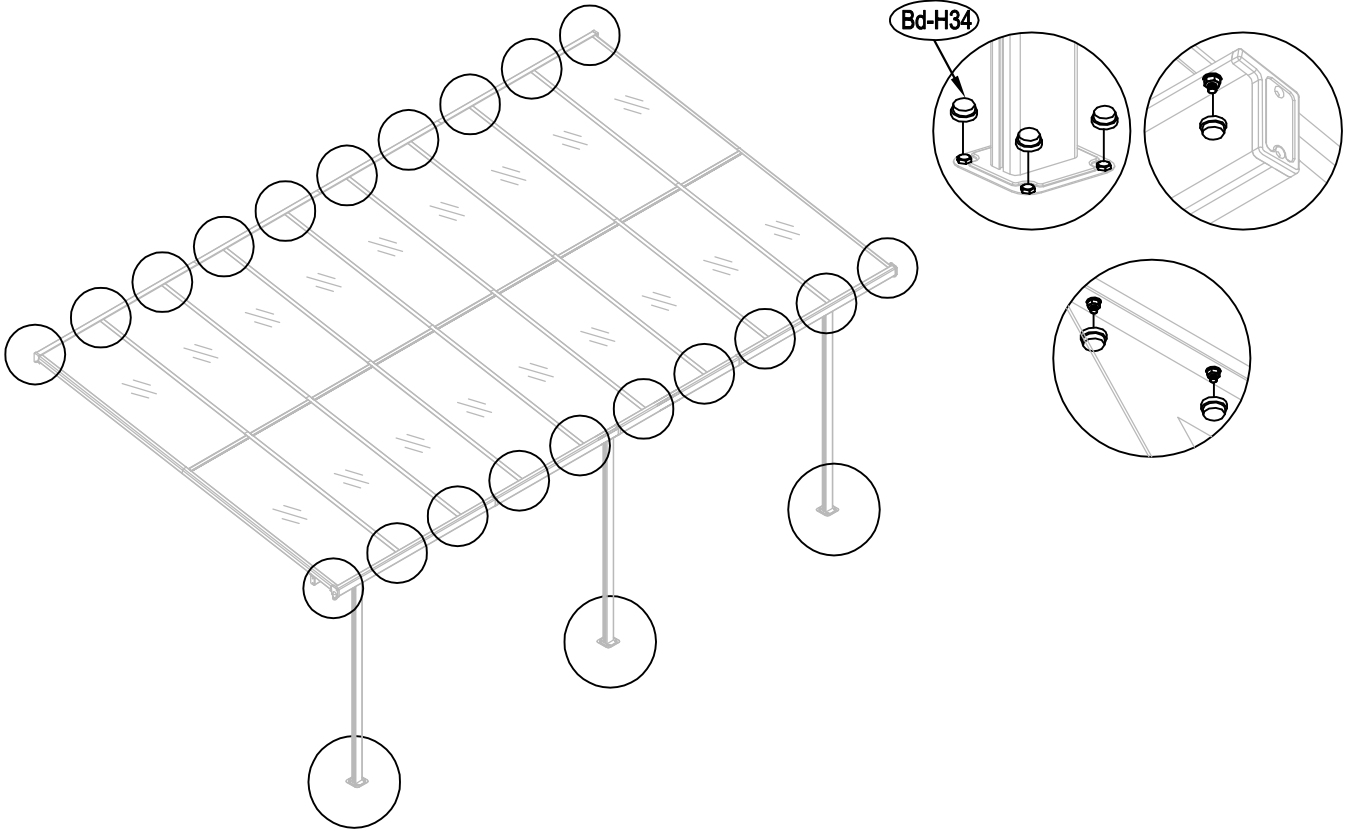
47



Bd-H30		x12
Bd-H31		x12
Bd-H32		x12



48



Bd-H34		x68
--------	---	-----

49

