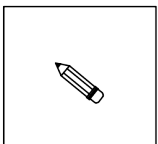
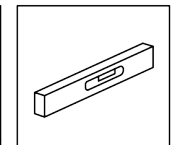
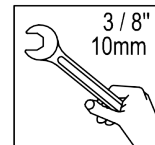
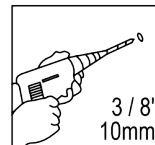
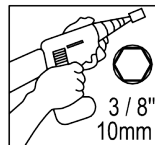
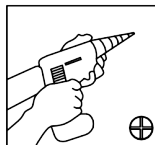
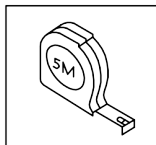
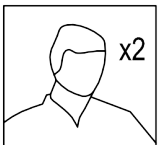
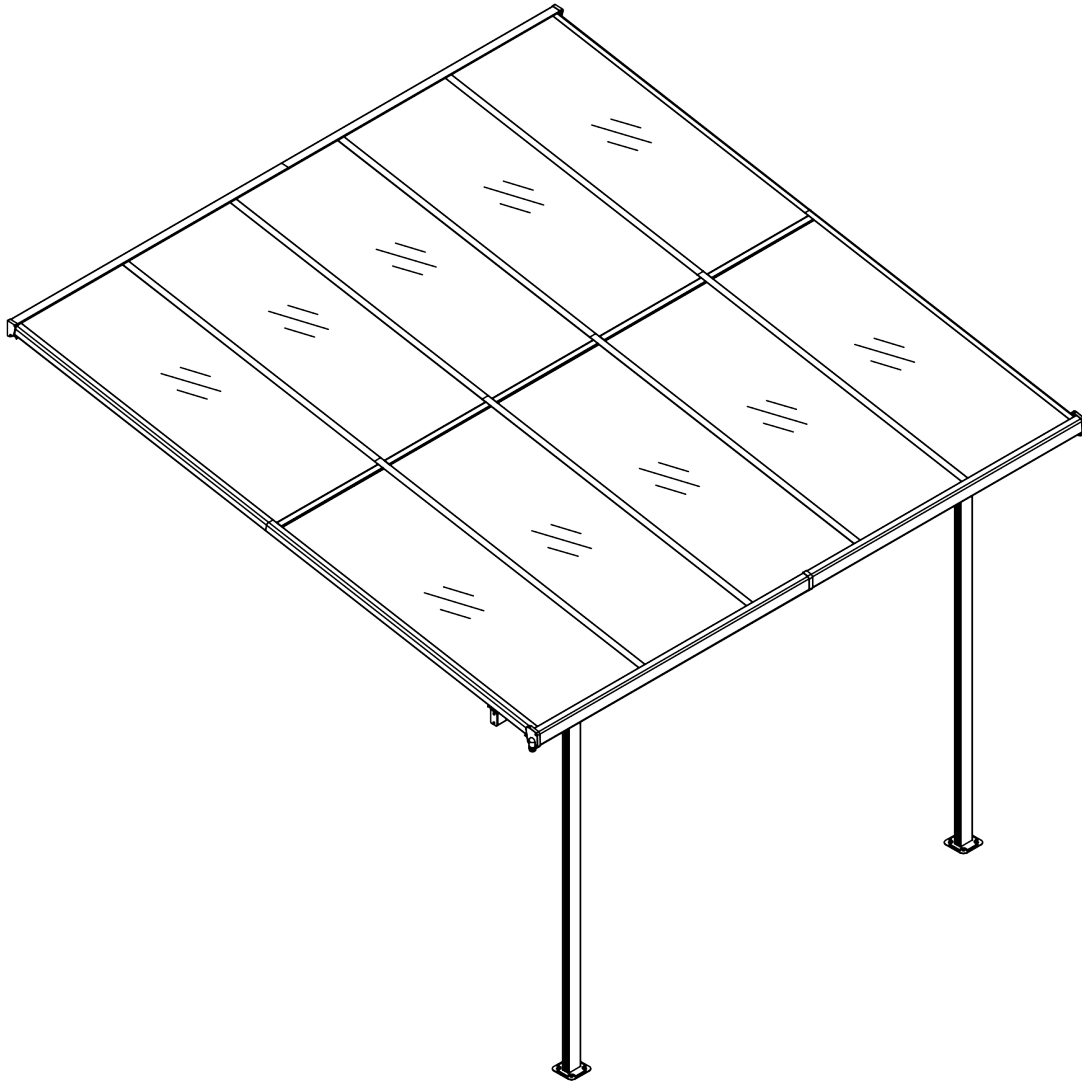




WESTMANN

MONTAGEANLEITUNG

Terrassenüberdachung
»Bruce« • SI06104(W)

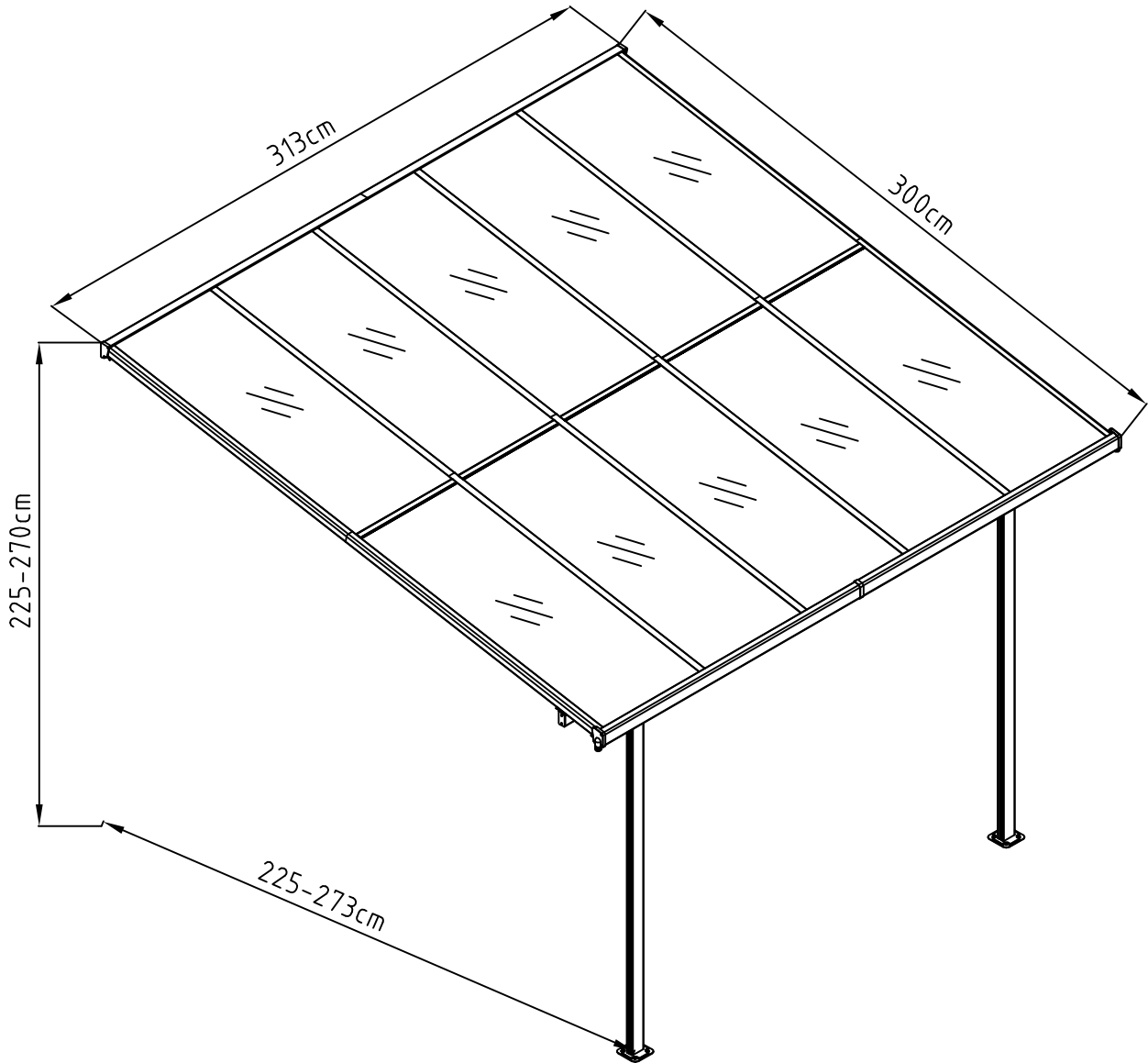


**BEI FRAGEN, KONTAKTIEREN SIE
UNSEREN KUNDENSERVICE:**

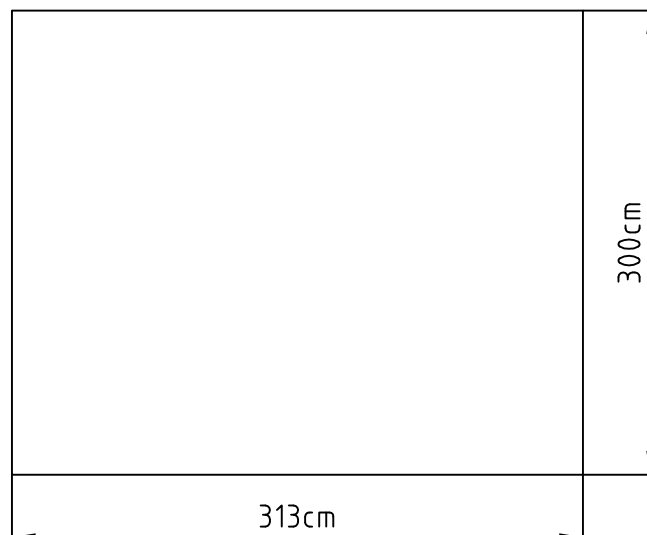
50NRTH GmbH
Straßburgstraße 14-16
D-54516 Wittlich

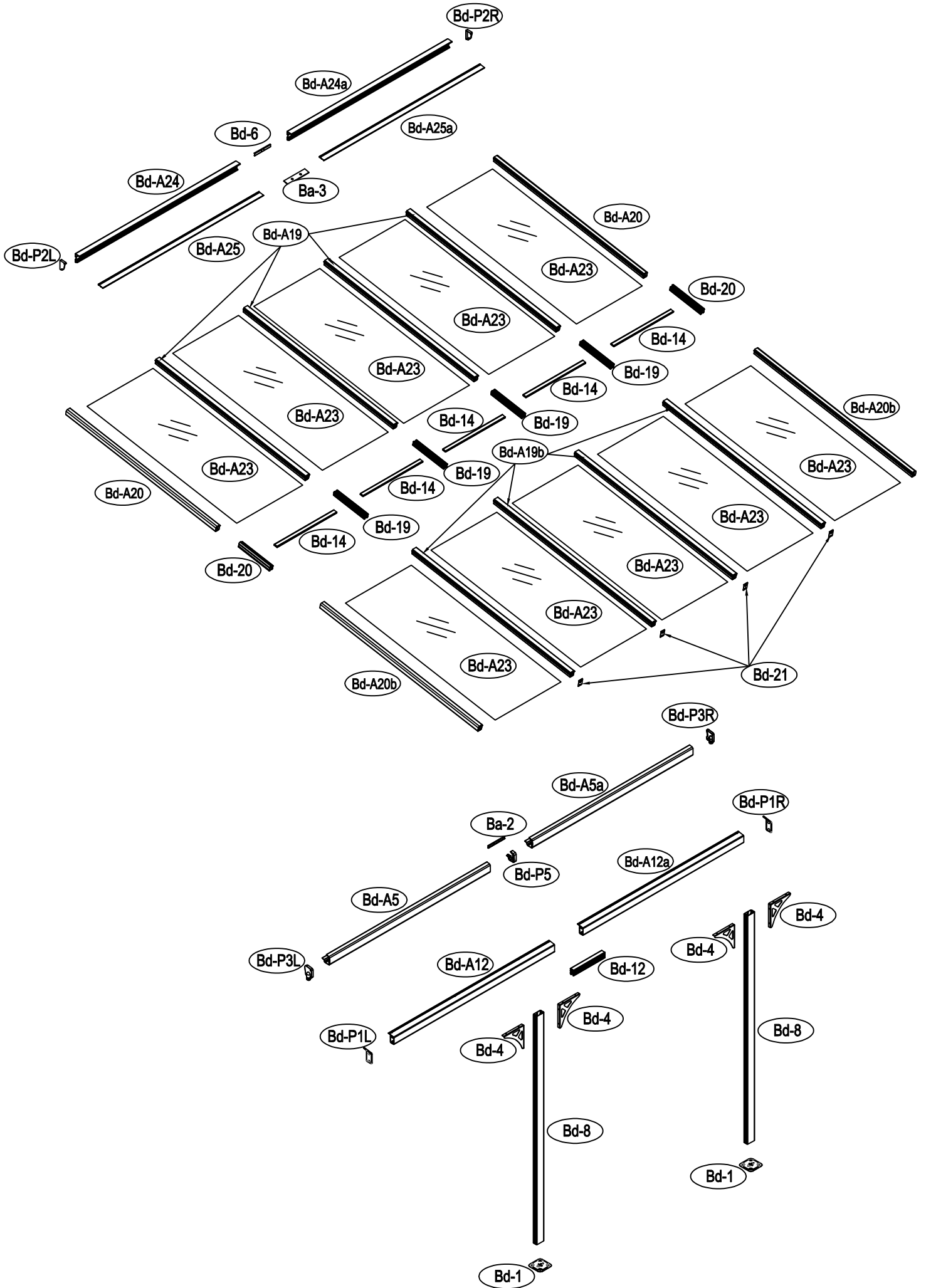
service@50NRTH.com
+49 (0) 6571 95117-0

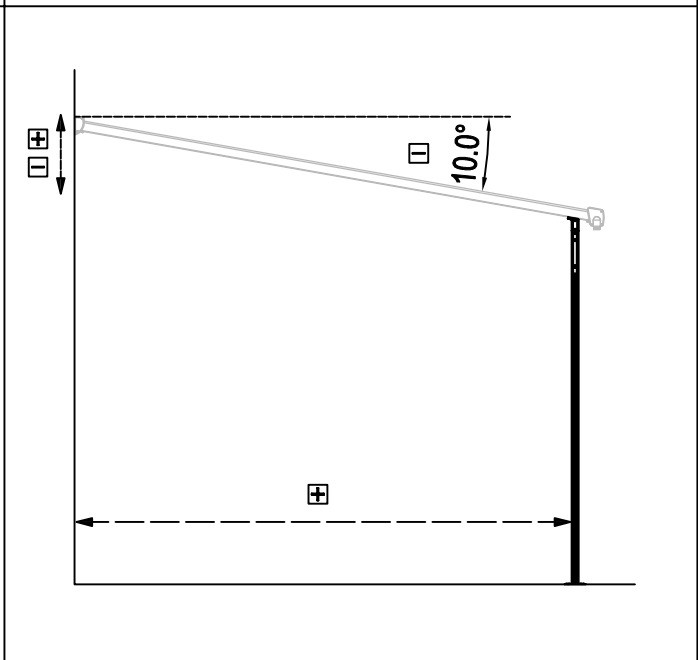
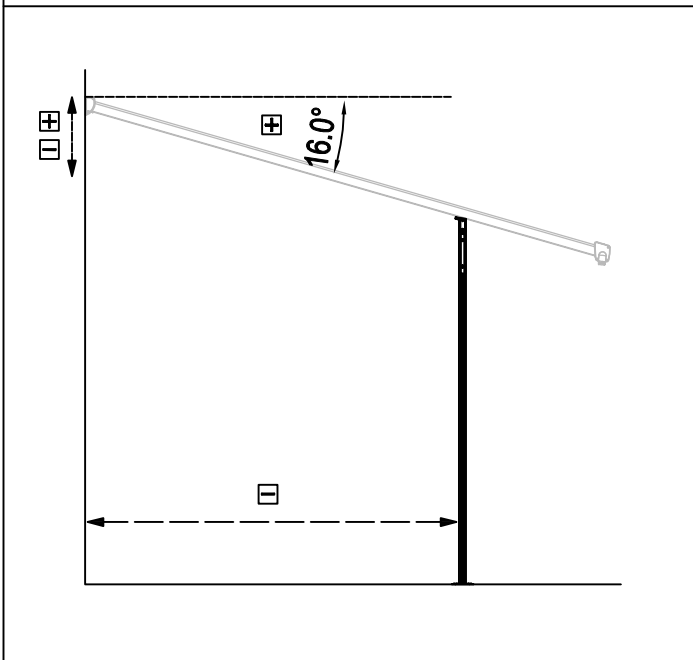
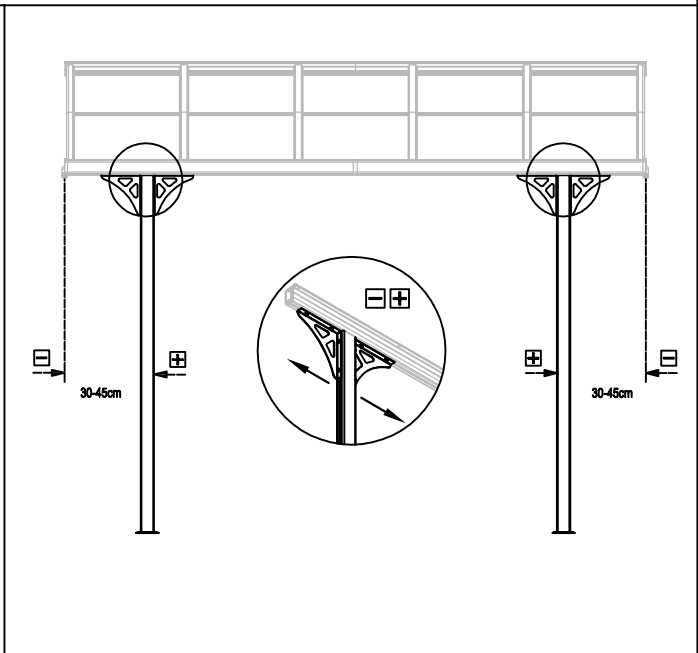
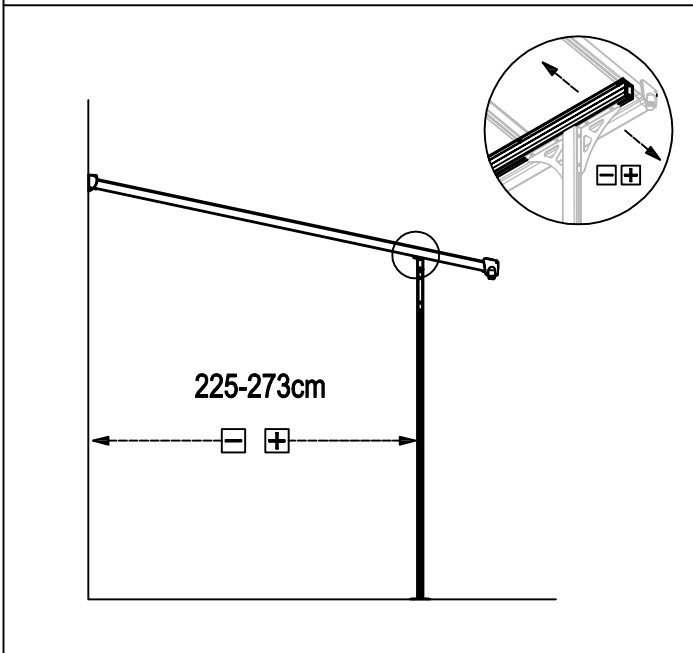
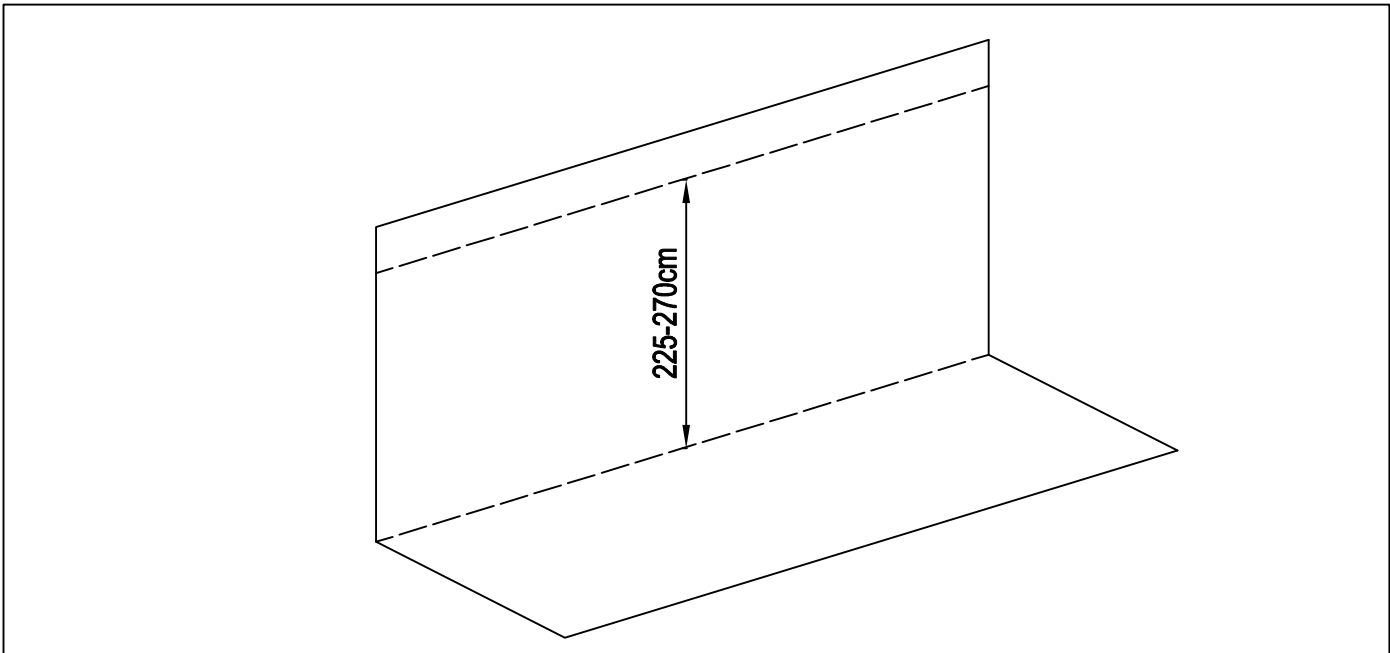
Aufstellmaß Terrassendach



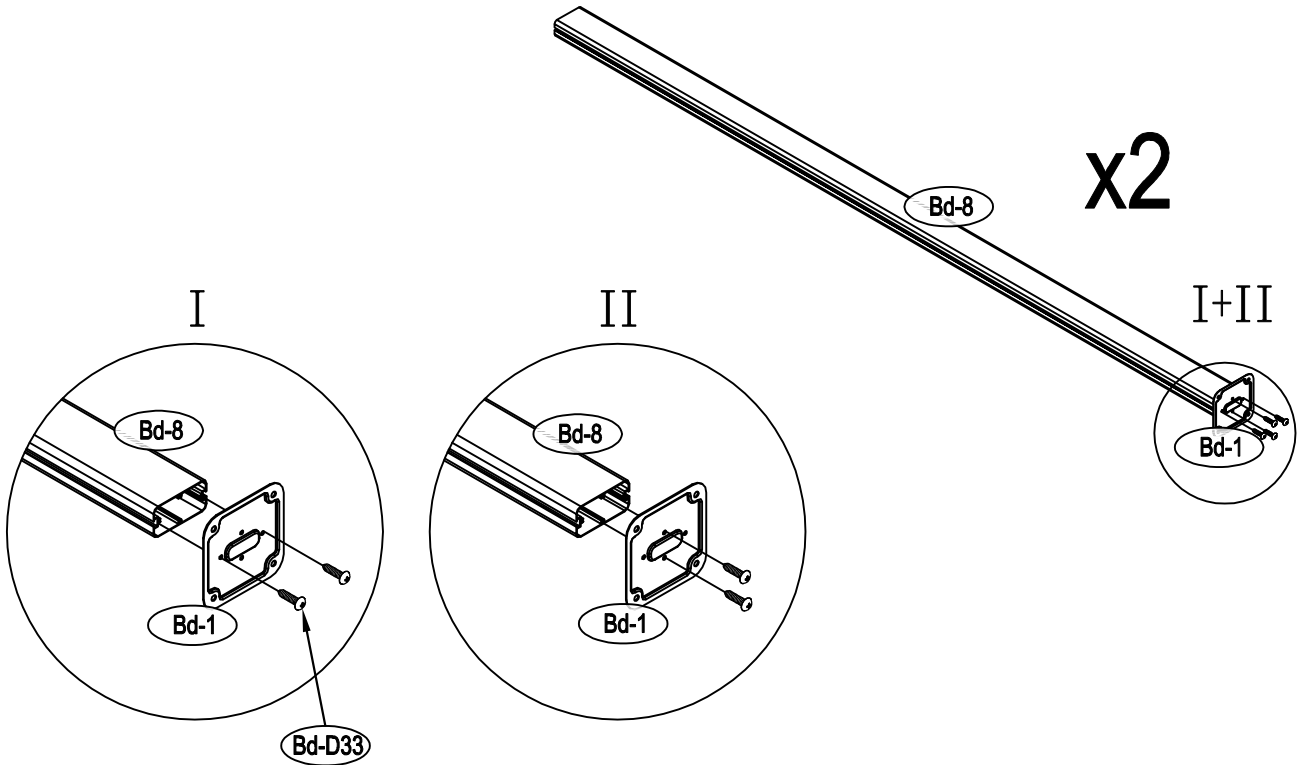
Fundament Aufstellmaß für den Geräteschrank





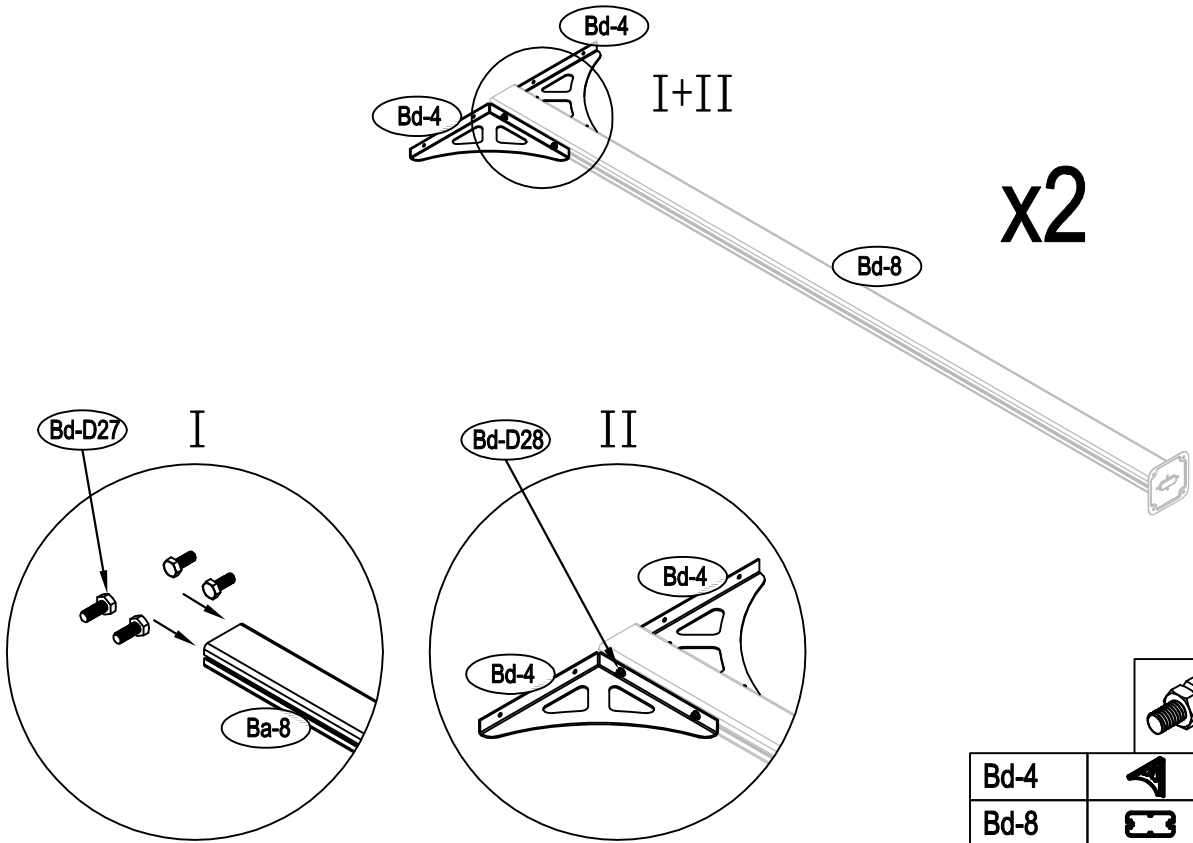


1



Bd-1		x2
Bd-8		x2
Bd-D33		x8

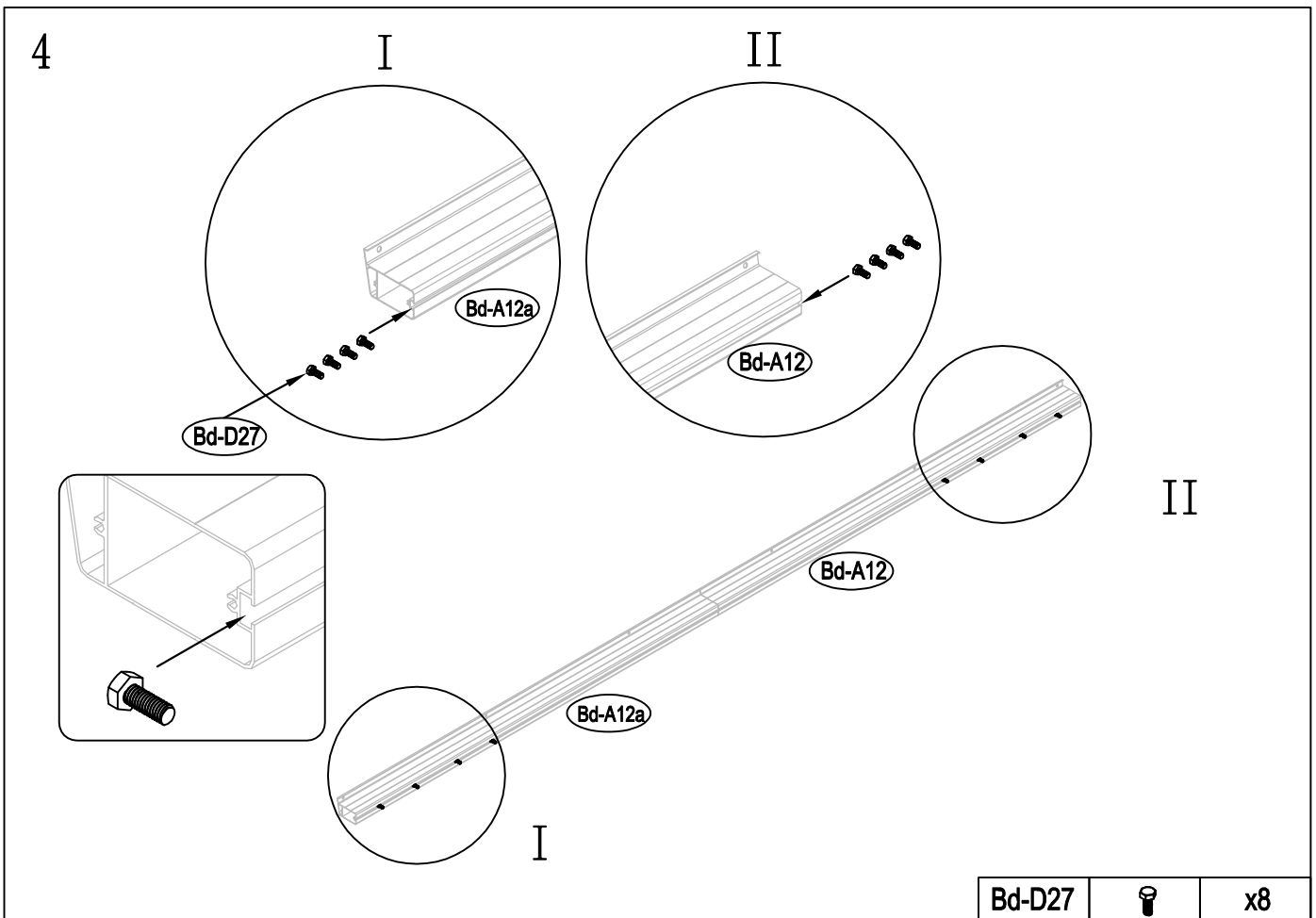
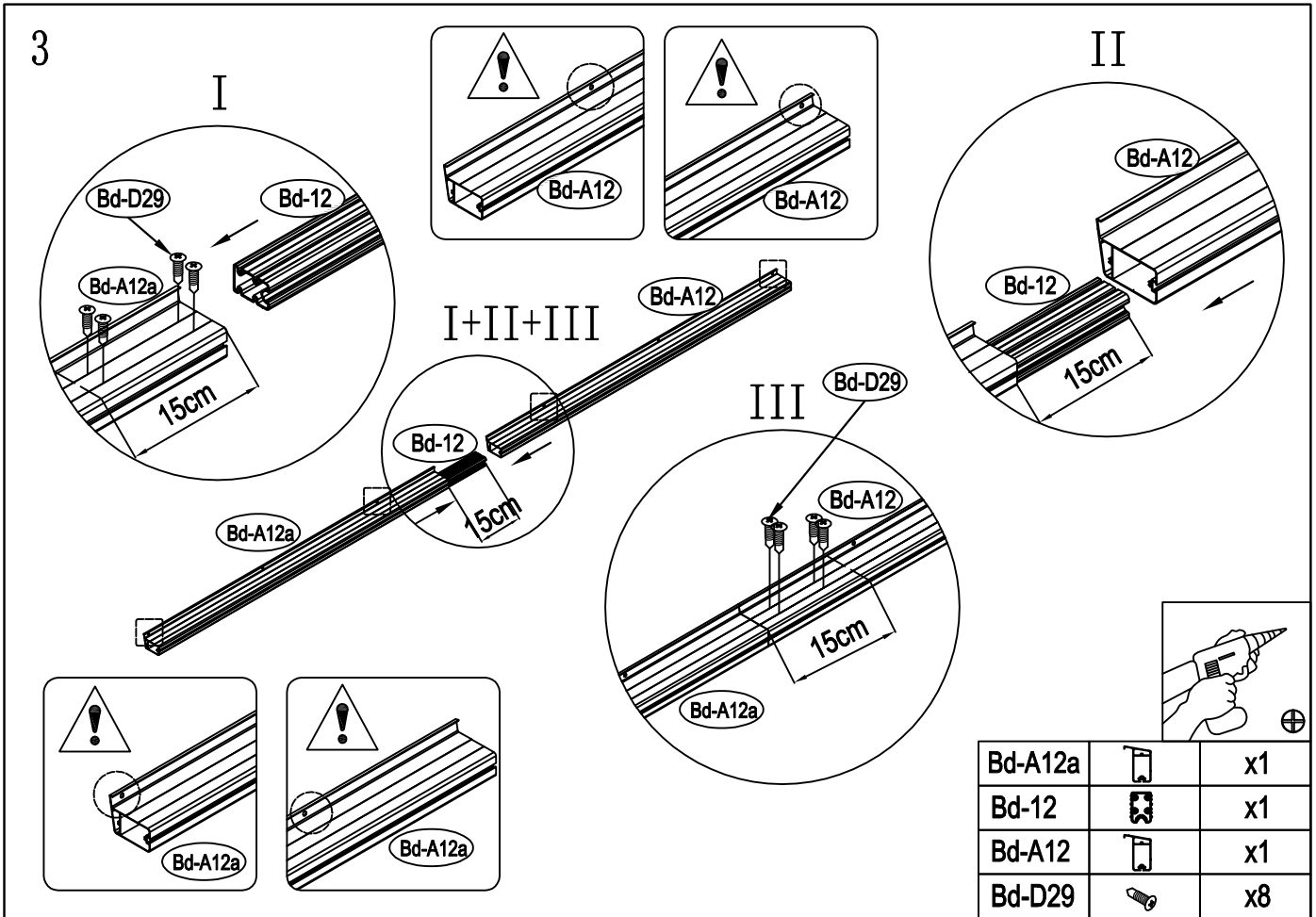
2

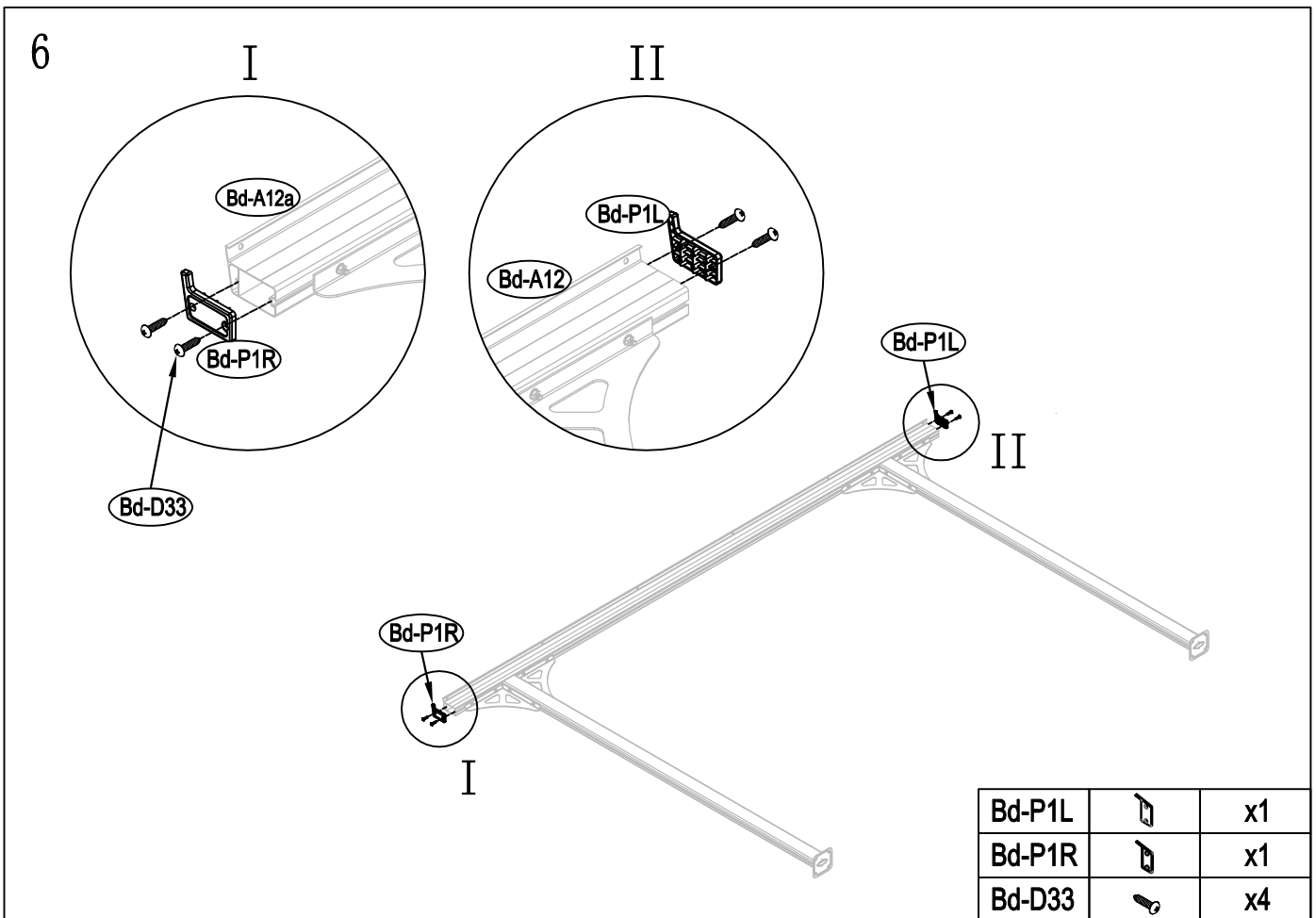
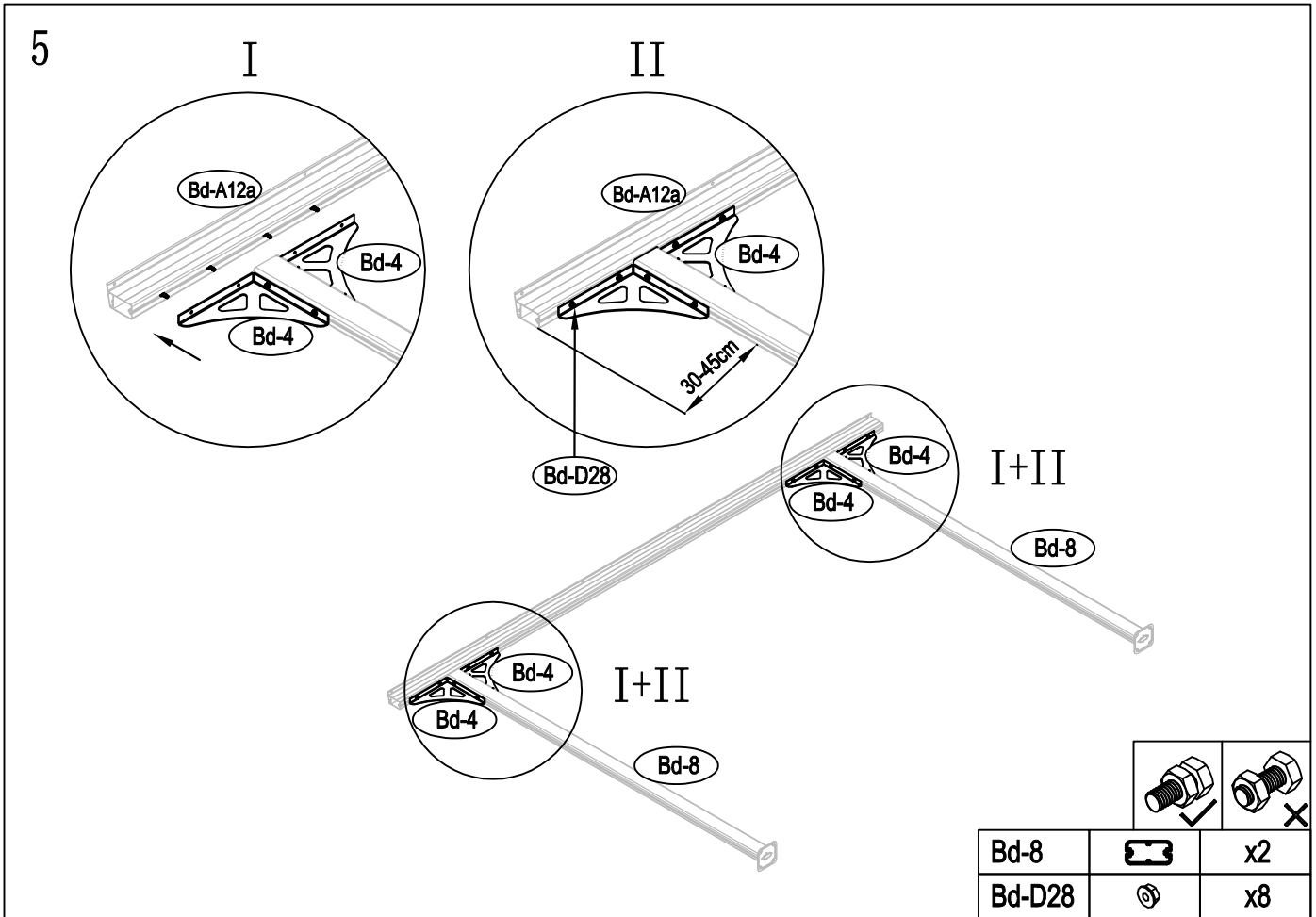


Bd-4		x4
Bd-8		x2
Bd-D27		x8
Bd-D28		x8

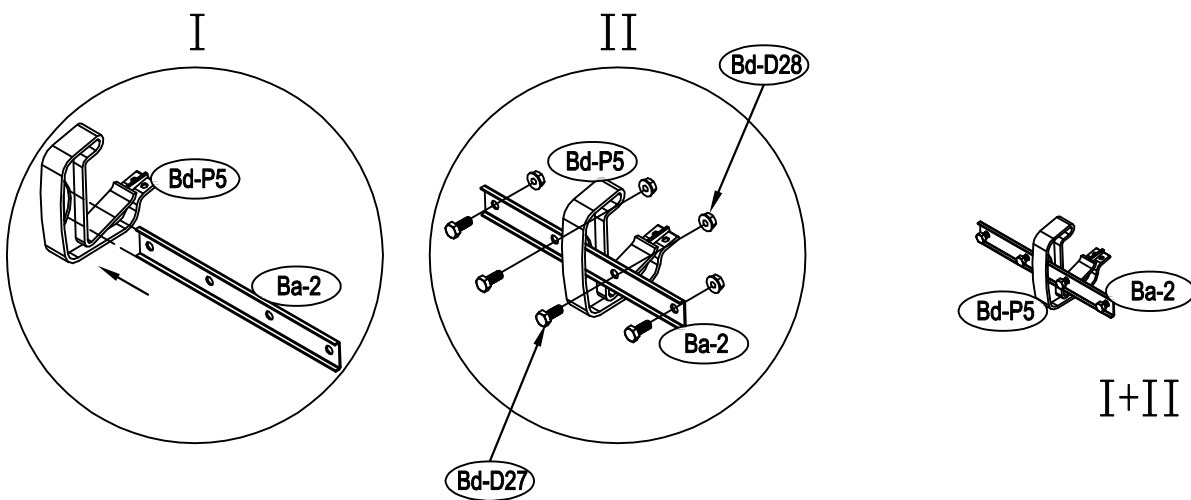
1





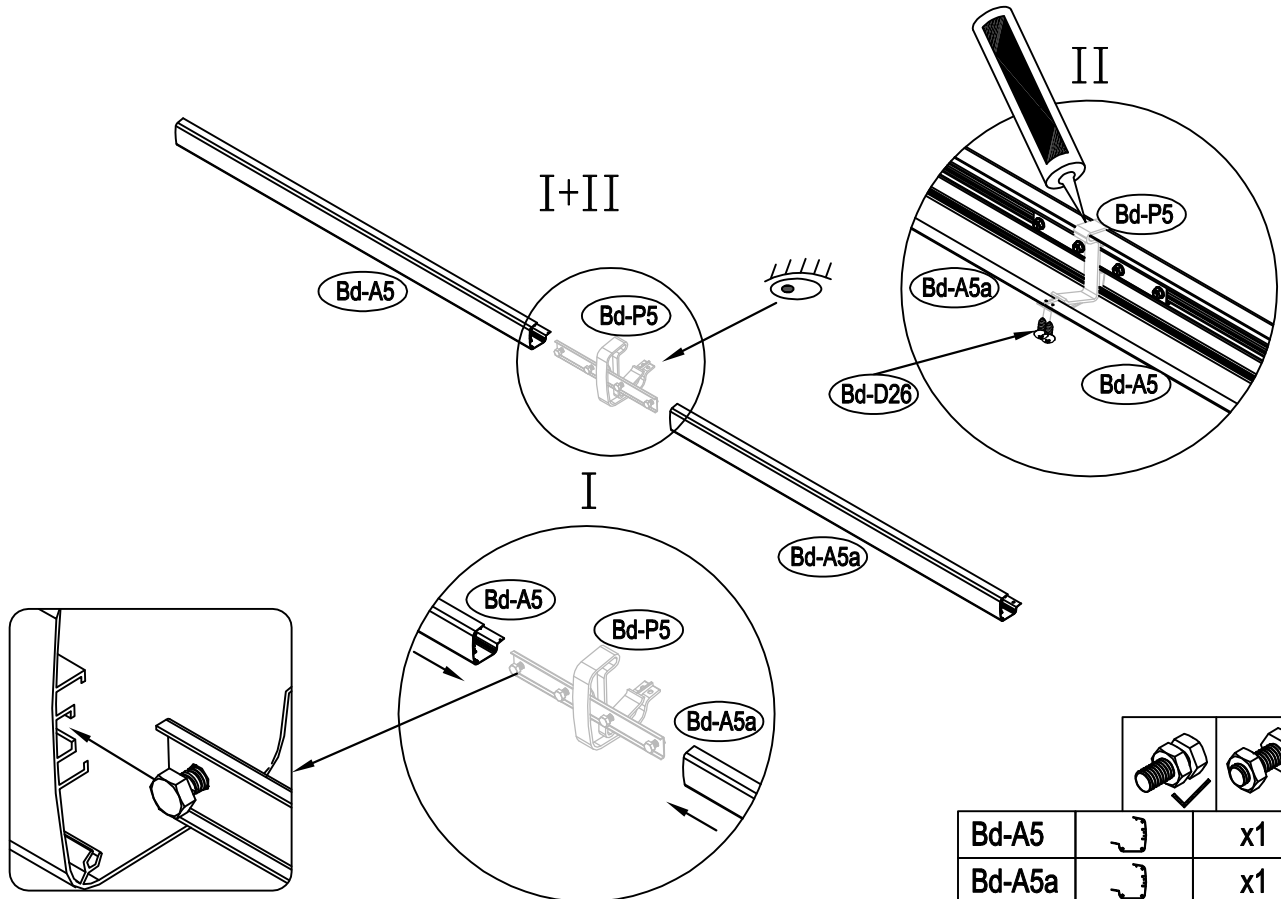


7



Ba-2		x1
Bd-P5		x1
Bd-D27		x4
Bd-D28		x4

8



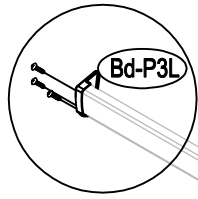
Bd-A5		x1
Bd-A5a		x1
Bd-D26		x2

4



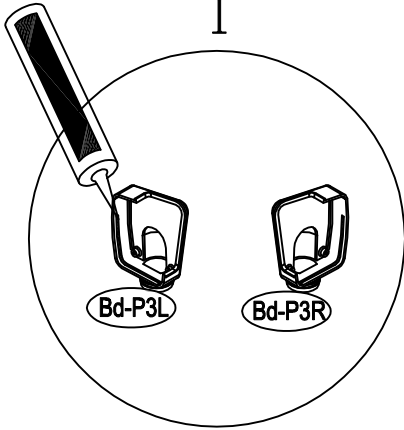
9

I+II

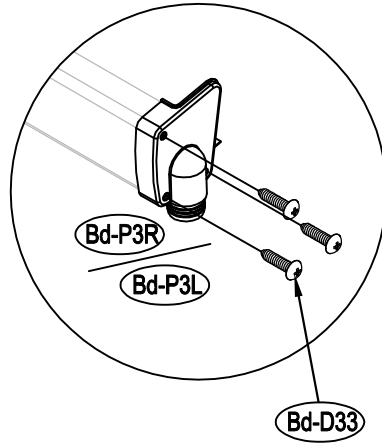


Bd-A5

I

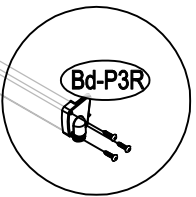


II



I+II

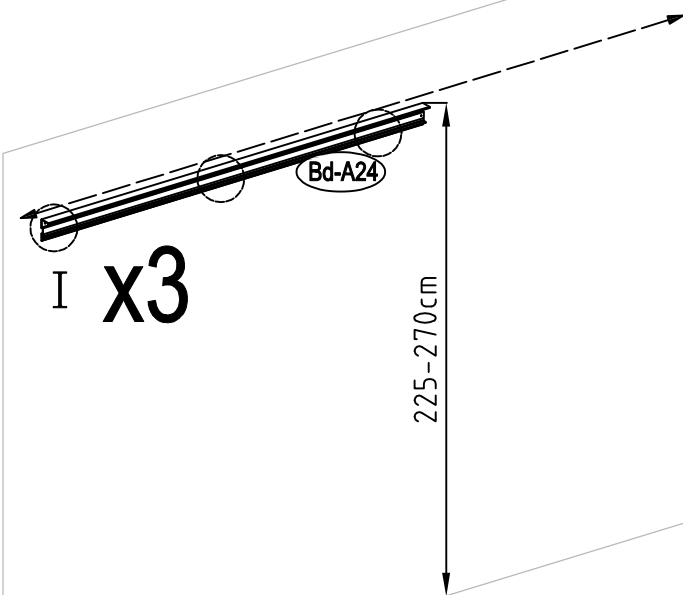
Bd-A5a



Bd-P3L		x1
Bd-P3R		x1
Bd-D33		x6

10

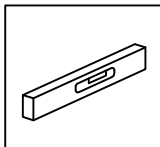
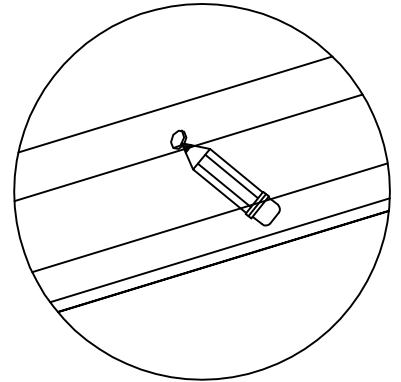
I



I x3

225-270cm

Bd-A24



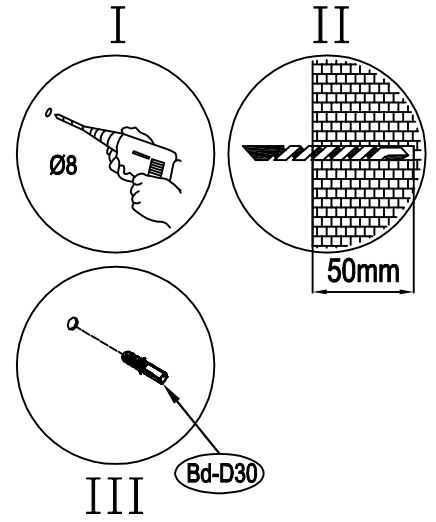
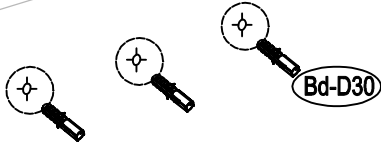
Bd-A24		x1
--------	--	----

5



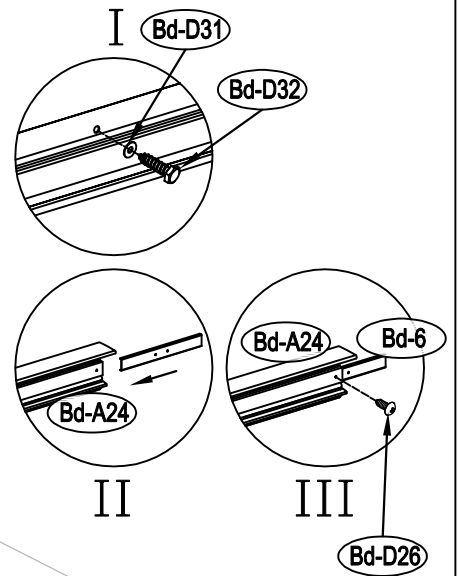
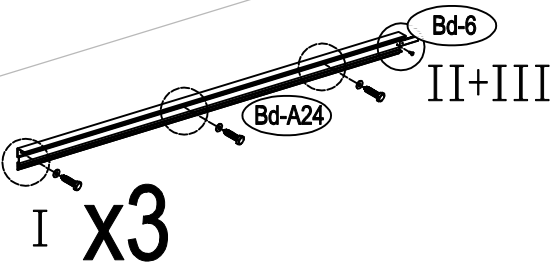
11

I+II+III x3



Bd-D30		x3
--------	--	----

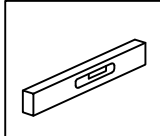
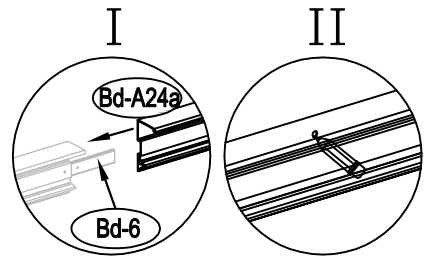
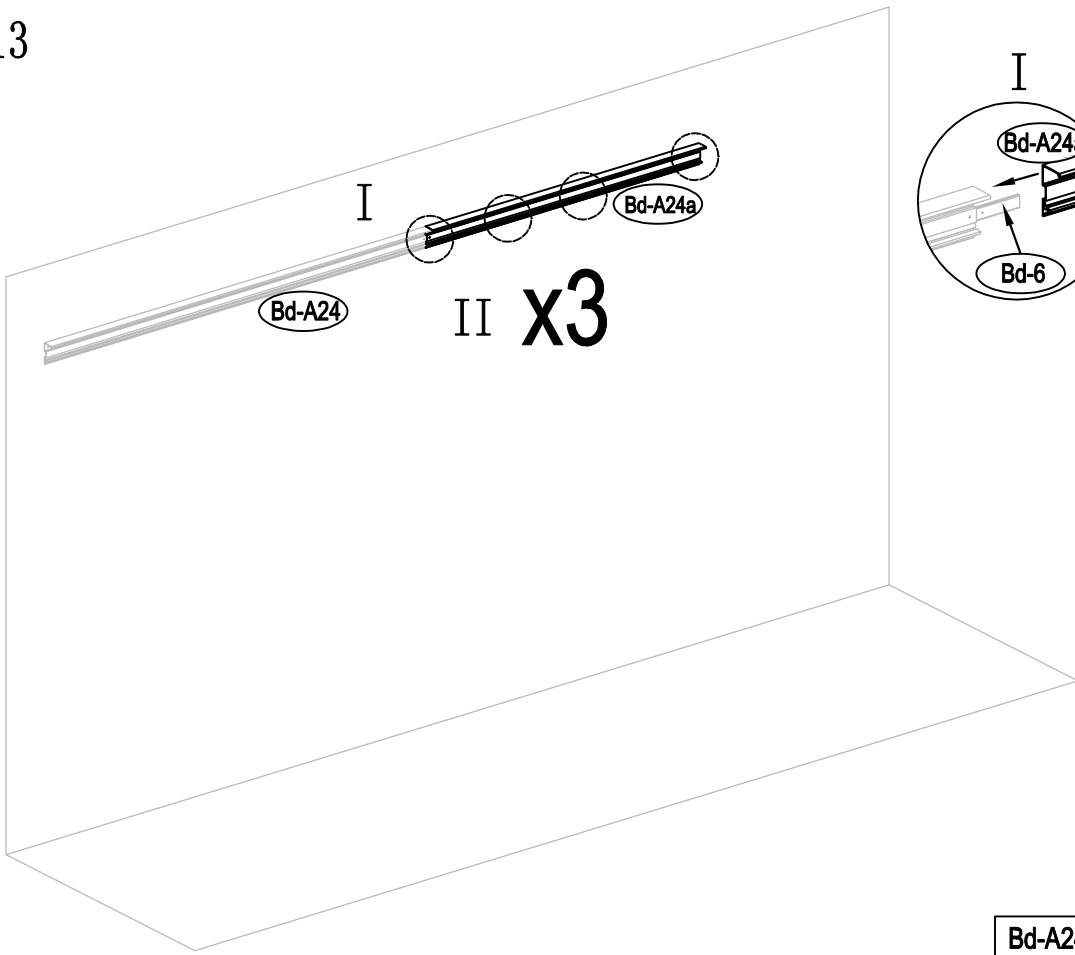
12



Bd-6		x1
Bd-D26		x1
Bd-D31		x3
Bd-D32		x3

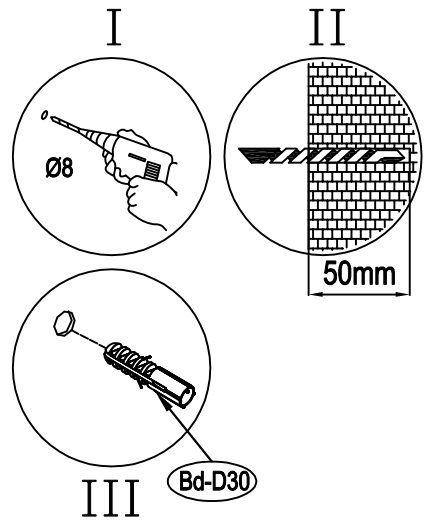
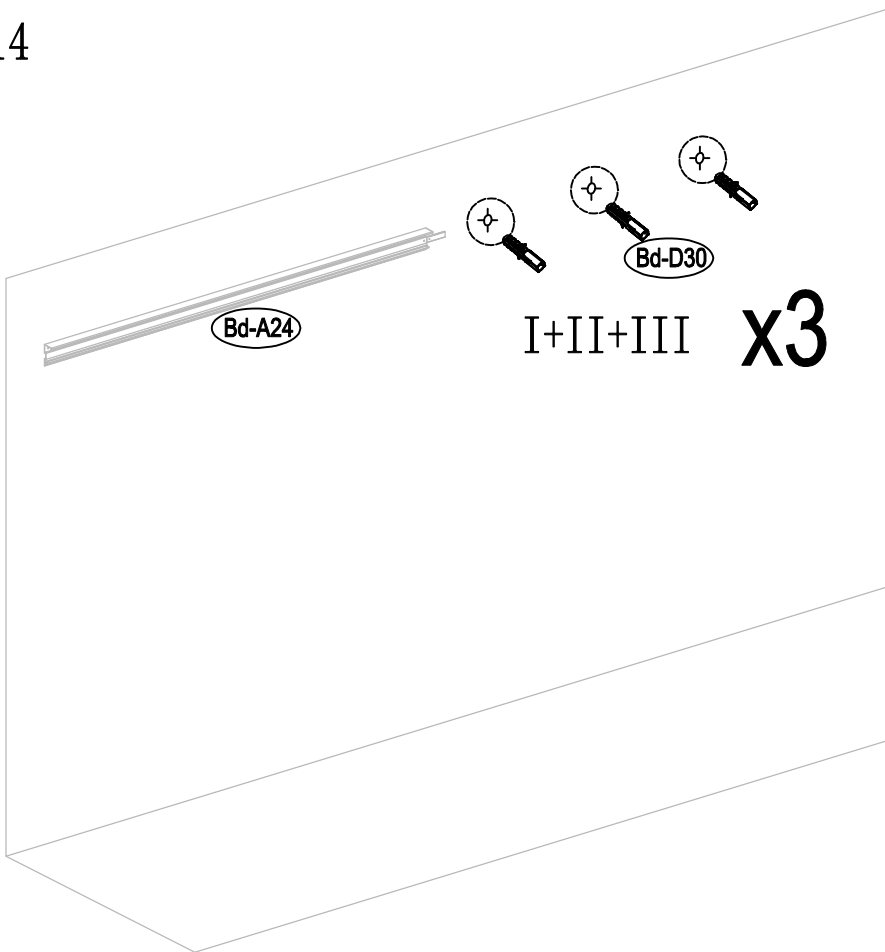


13



Bd-A24a		x1
---------	---	----

14

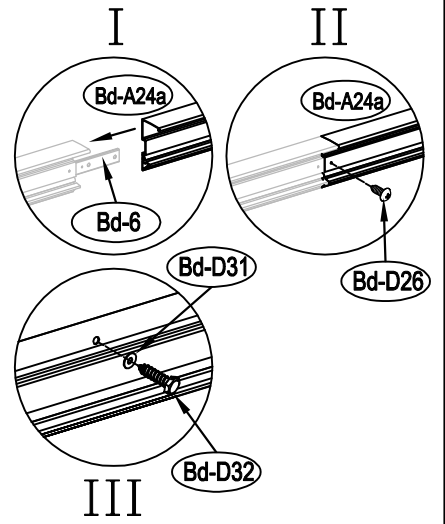
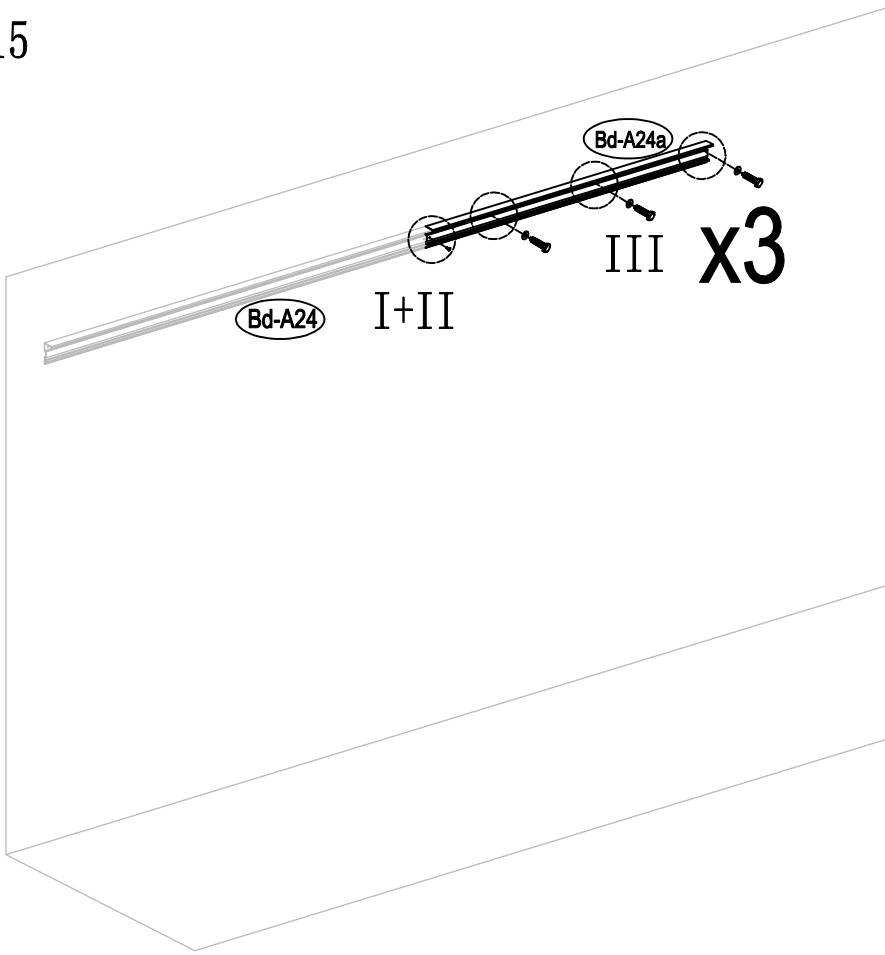


Bd-D30		x3
--------	---	----

7

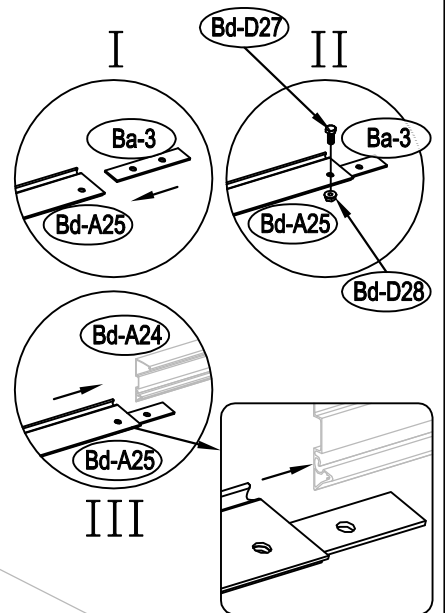
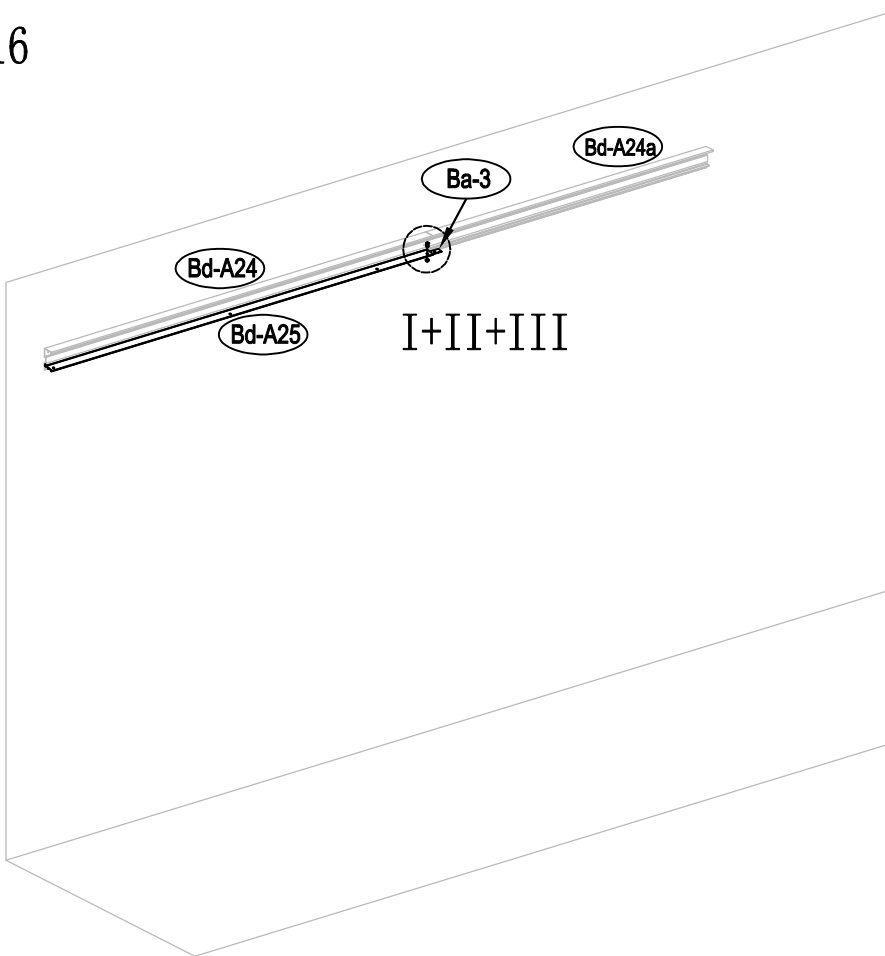


15



Bd-A24a		x1
Bd-D26		x1
Bd-D31		x3
Bd-D32		x3

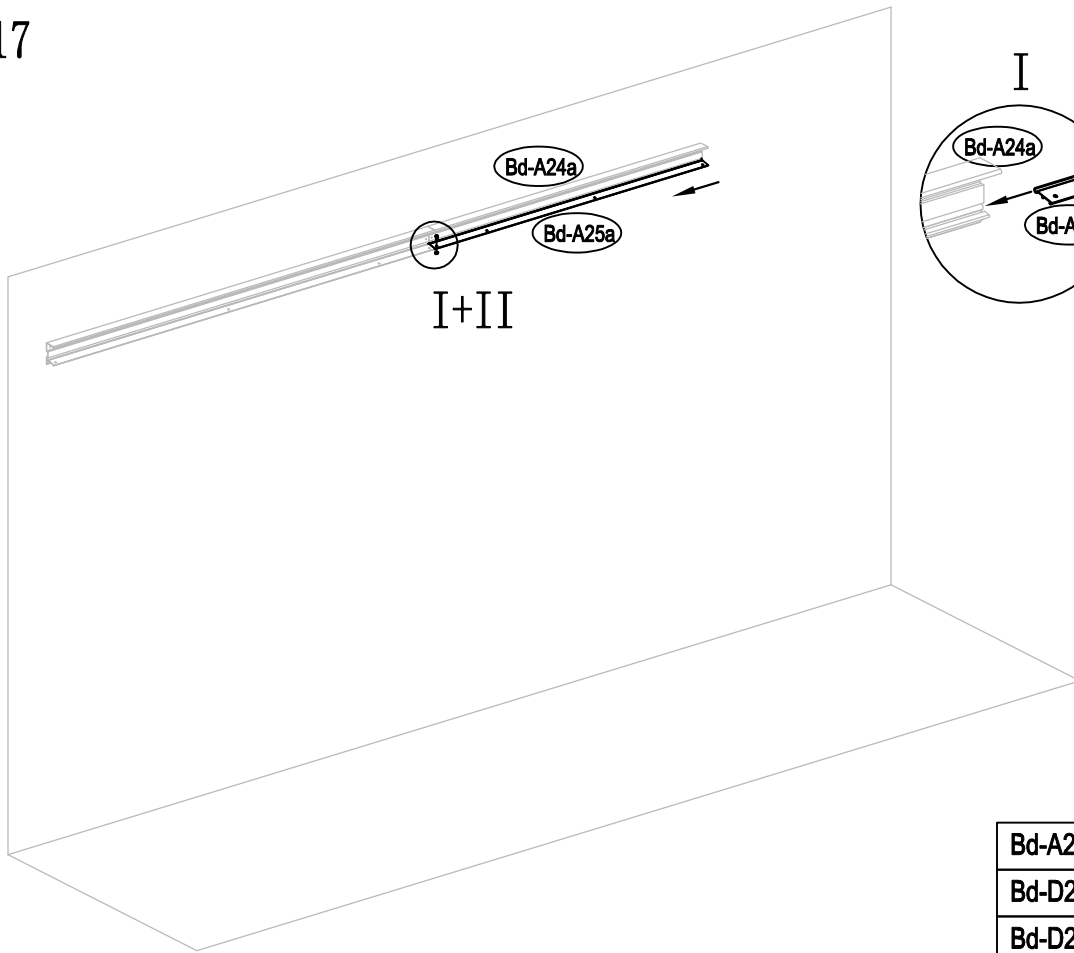
16



Ba-3		x1
Bd-A25		x1
Bd-D27		x1
Bd-D28		x1

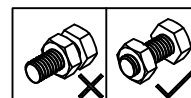
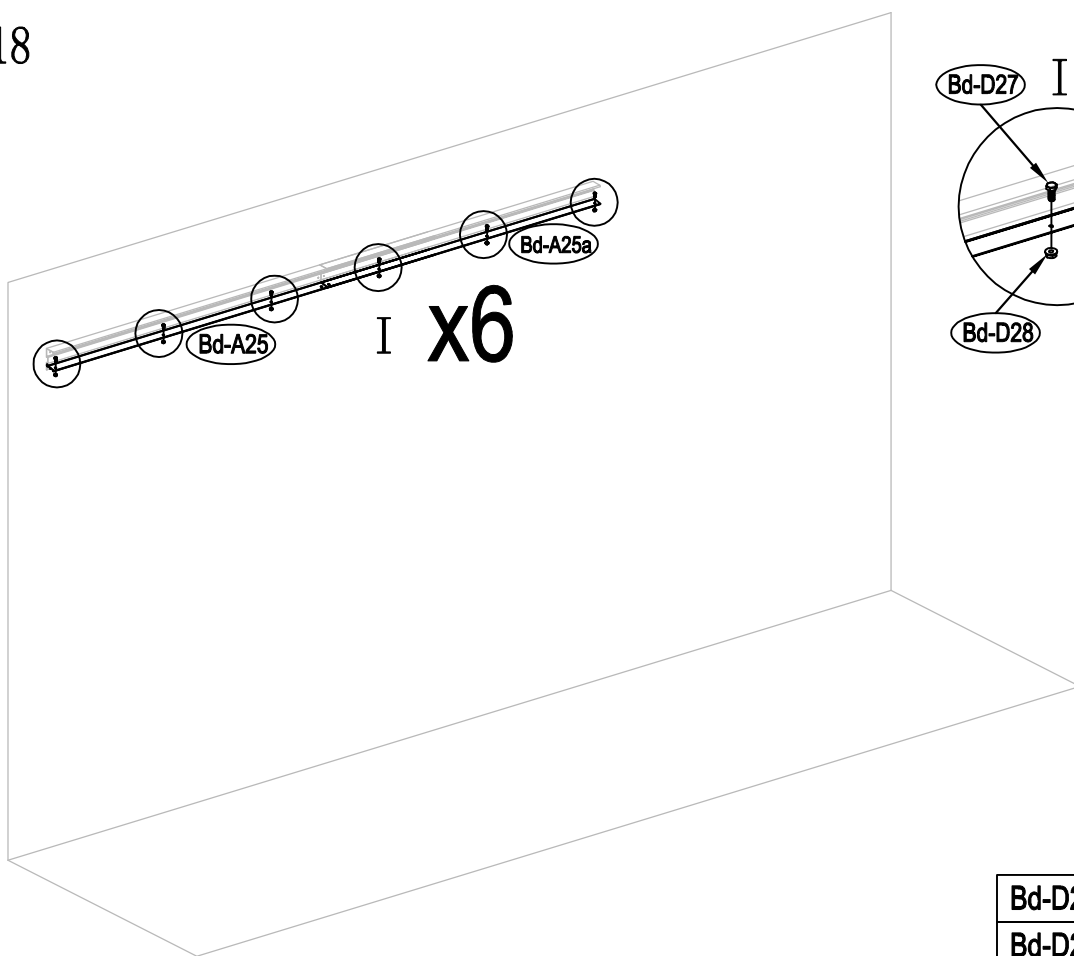


17



Bd-A25a		x1
Bd-D27		x1
Bd-D28		x1

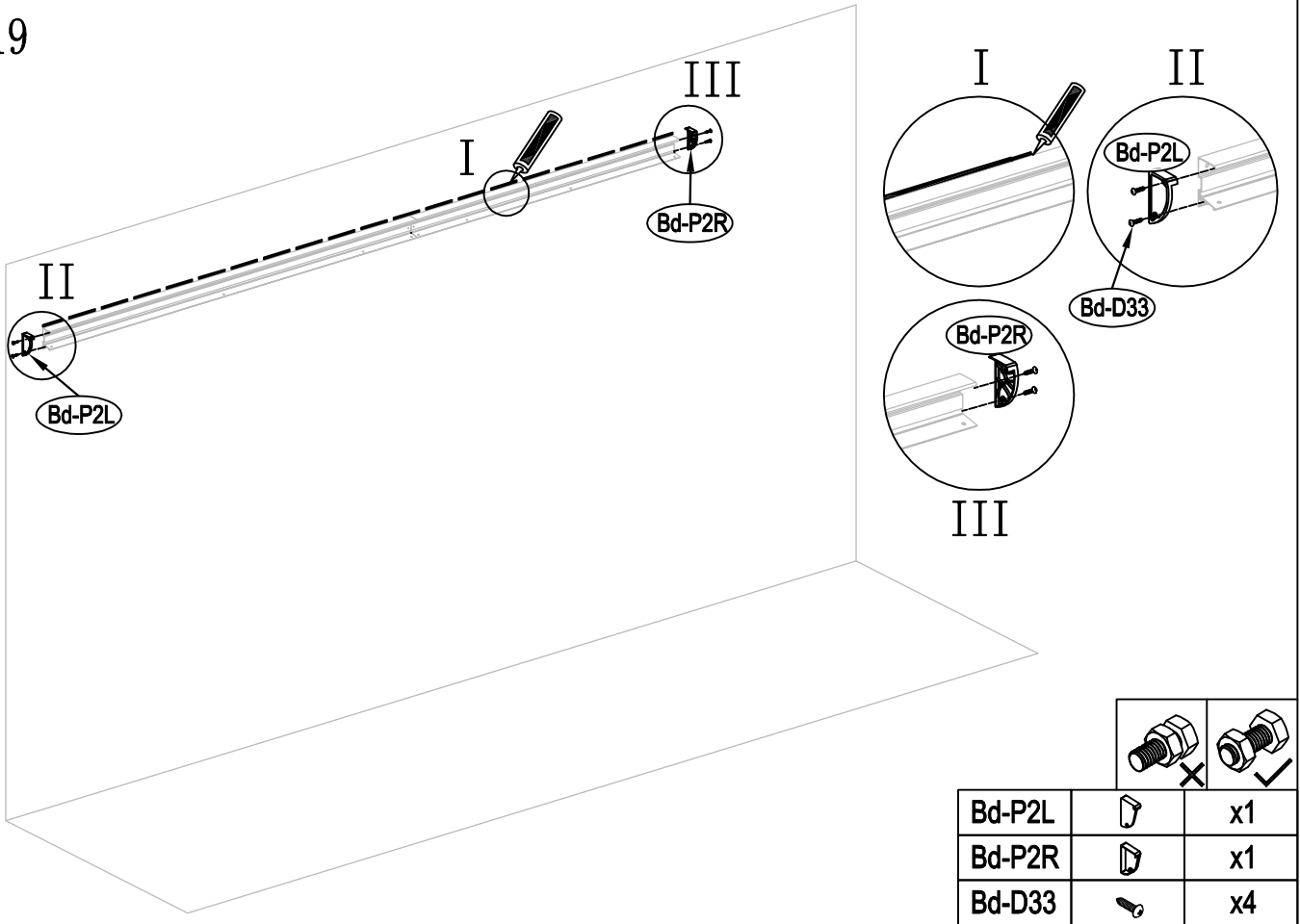
18



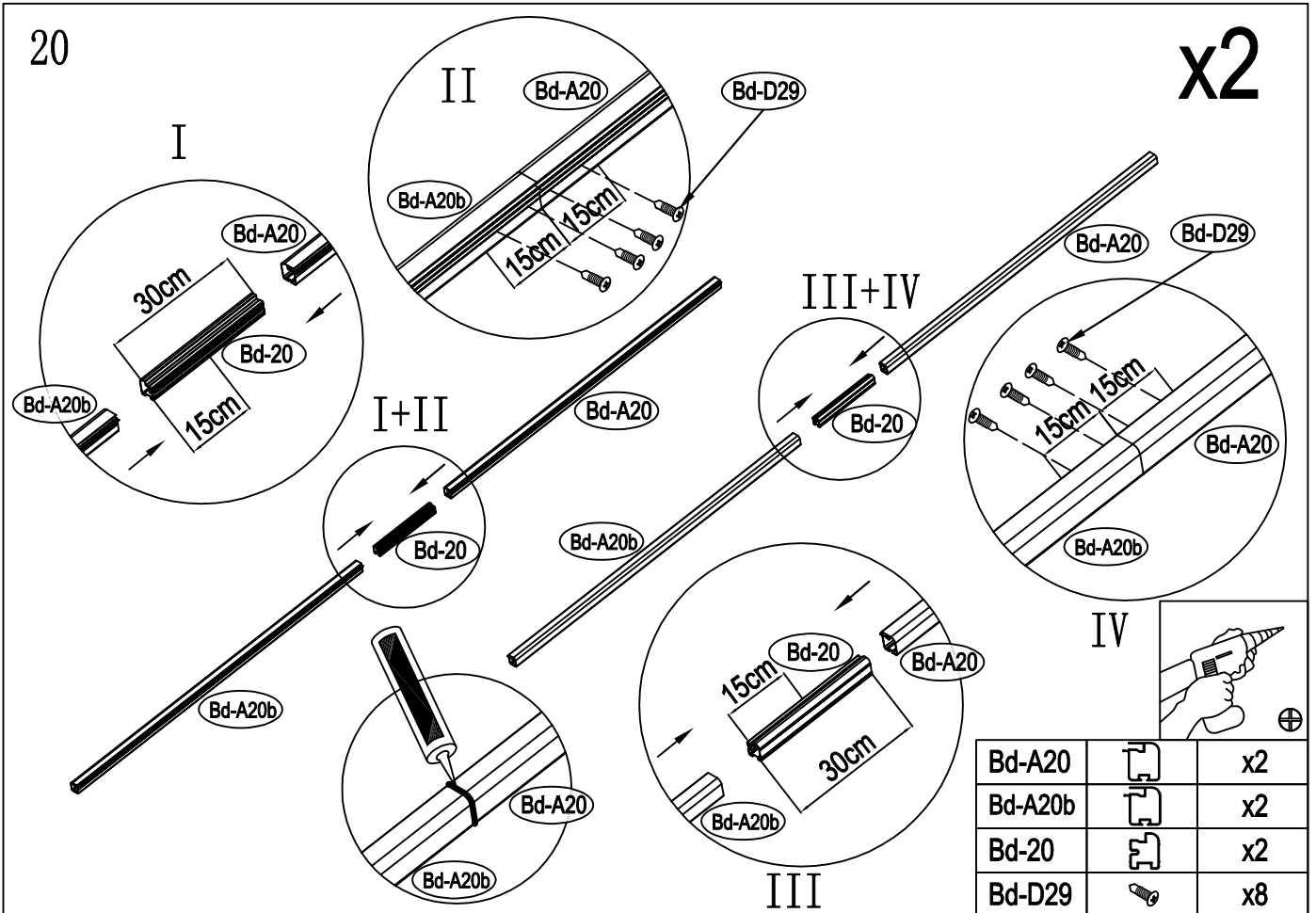
Bd-D27		x6
Bd-D28		x6



19

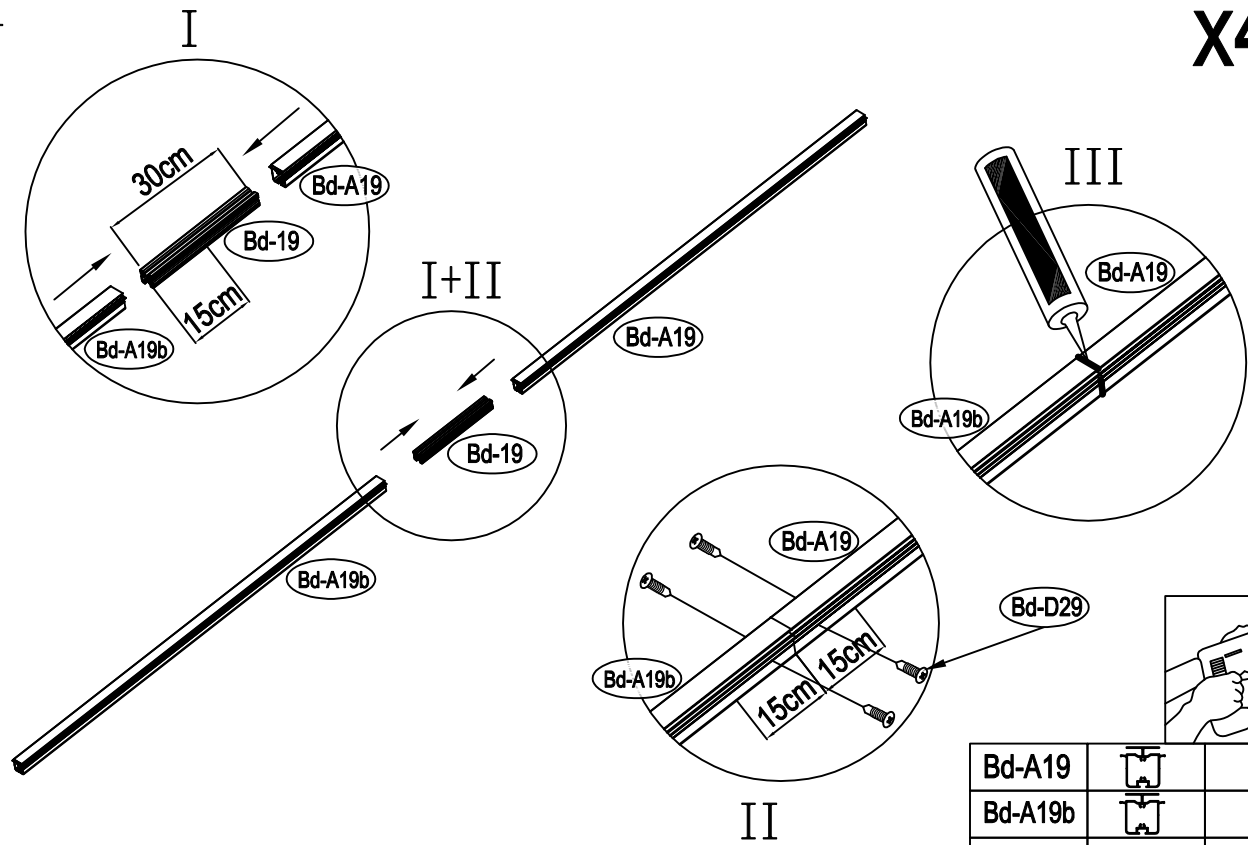


20



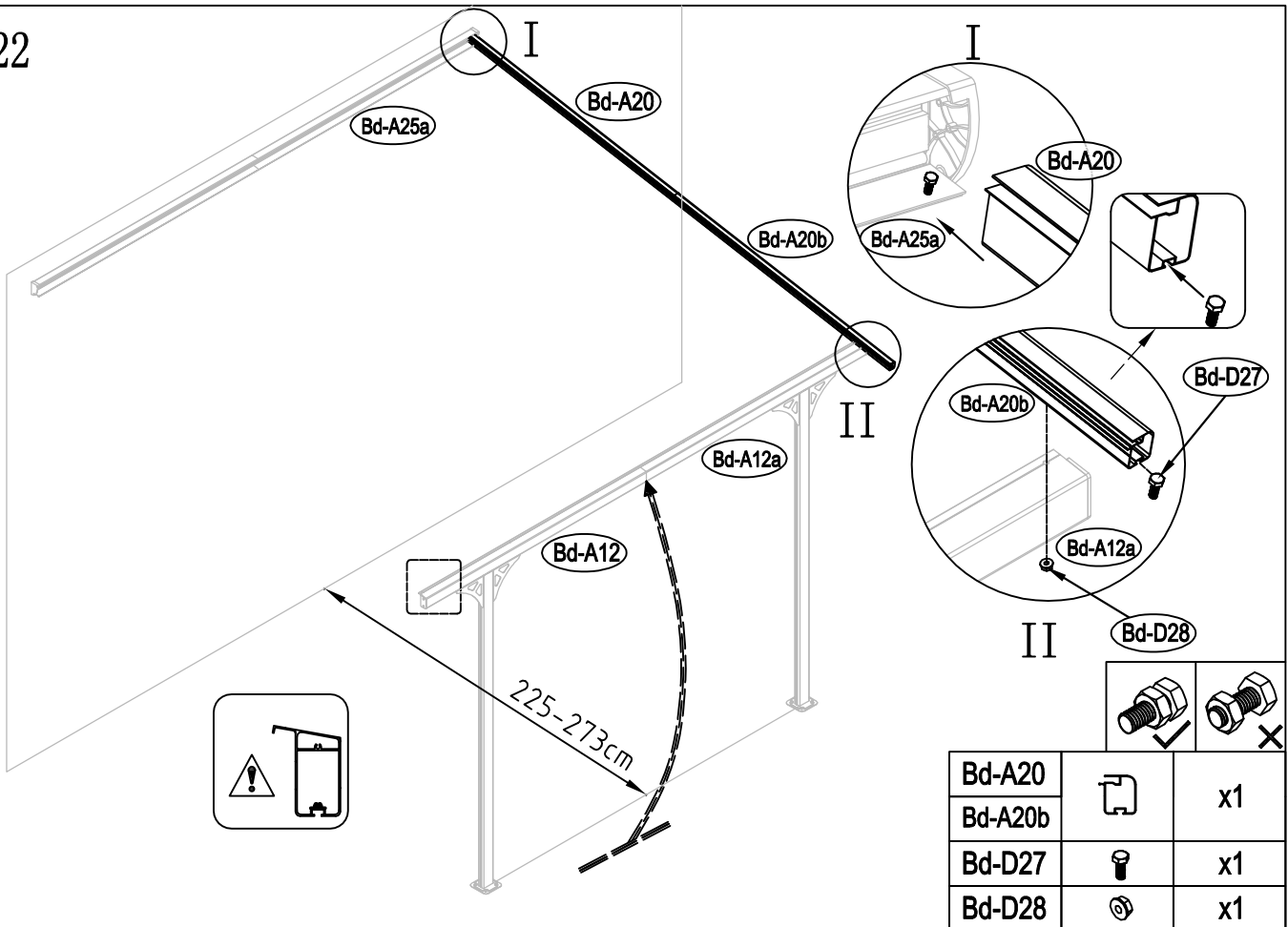
21

x4



Bd-A19		x4
Bd-A19b		x4
Bd-19		x4
Bd-D29		x16

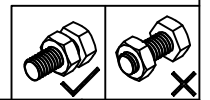
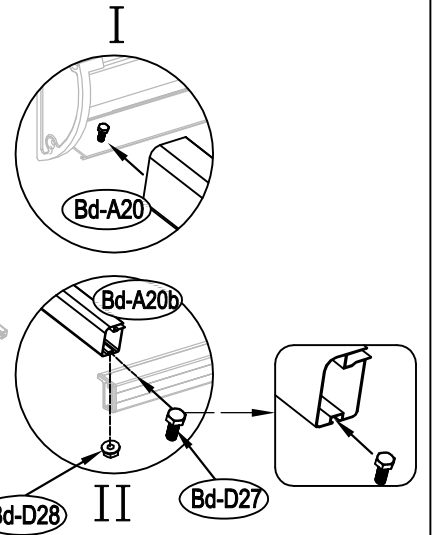
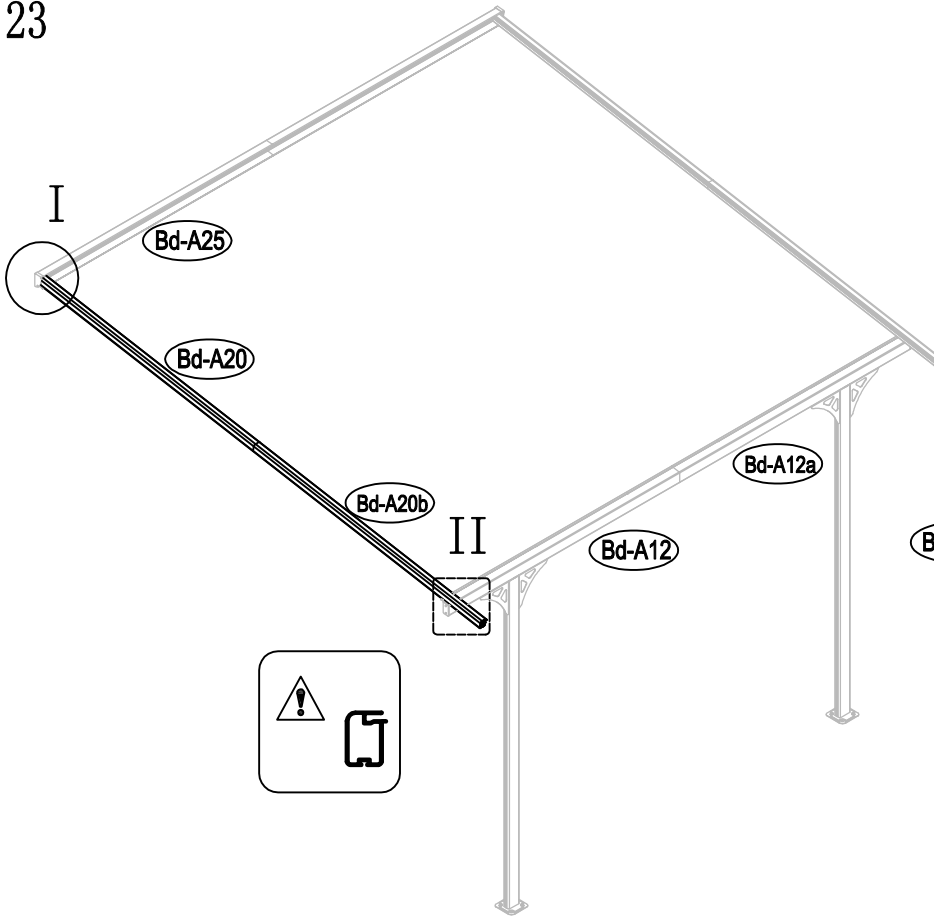
22



Bd-A20		x1
Bd-A20b		x1
Bd-D27		x1
Bd-D28		x1

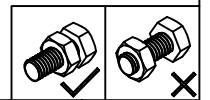
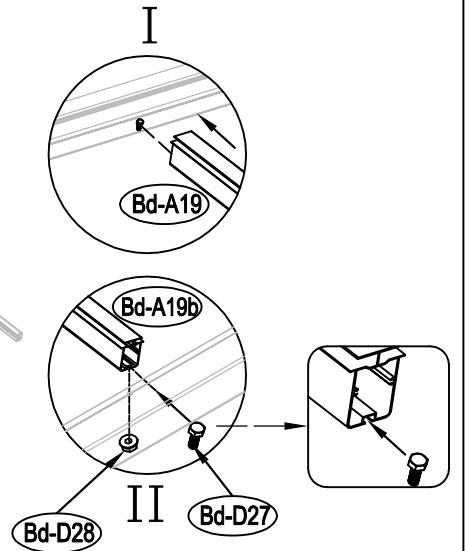
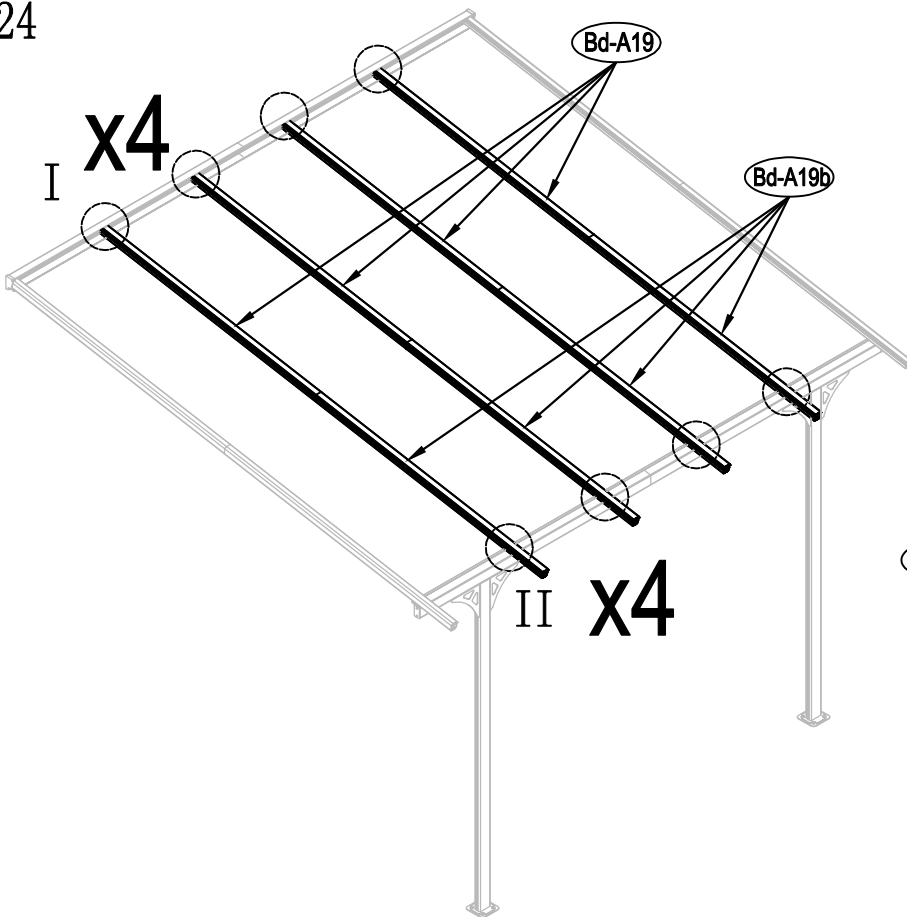


23



Bd-A20		x1
Bd-A20b		x1
Bd-D27		x1
Bd-D28		x1

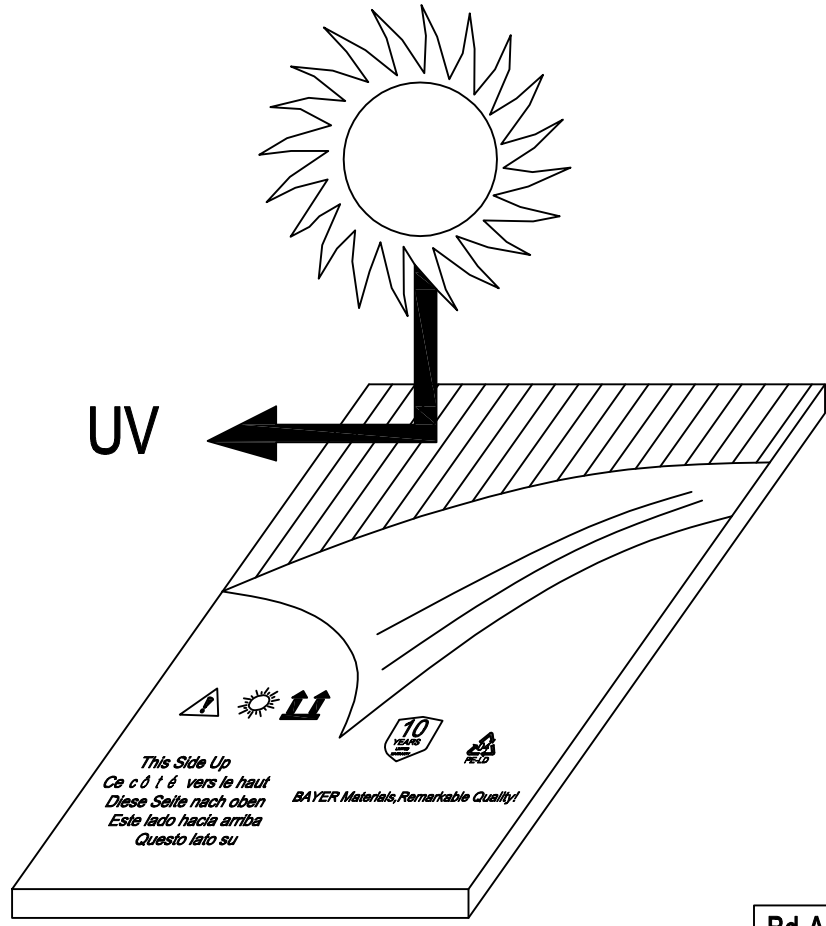
24



Bd-A19		x4
Bd-A19b		x4
Bd-D27		x4
Bd-D28		x4

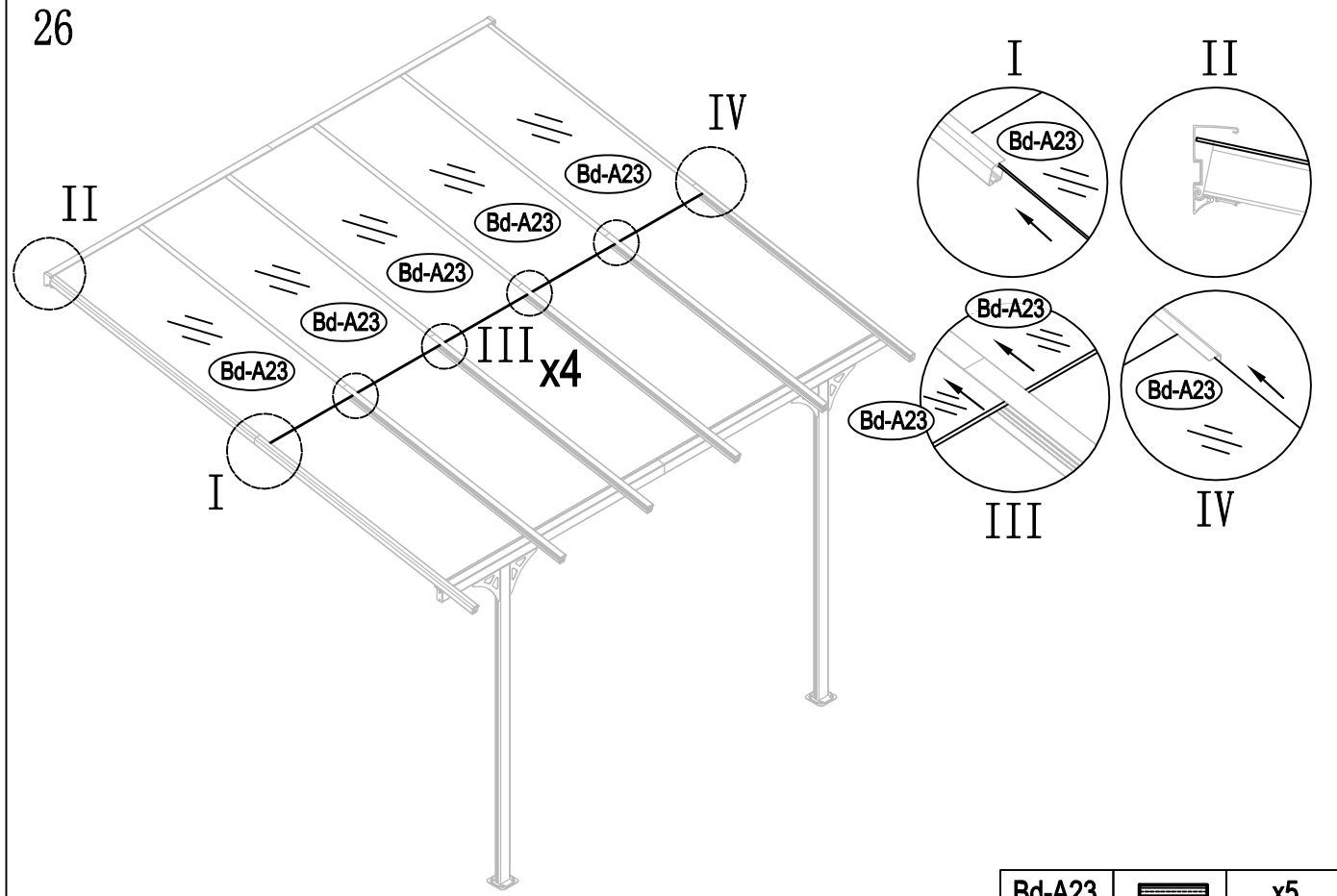



25



Bd-A23		x10
--------	---	-----

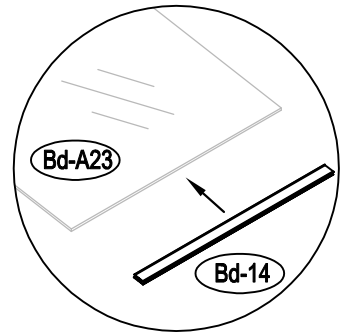
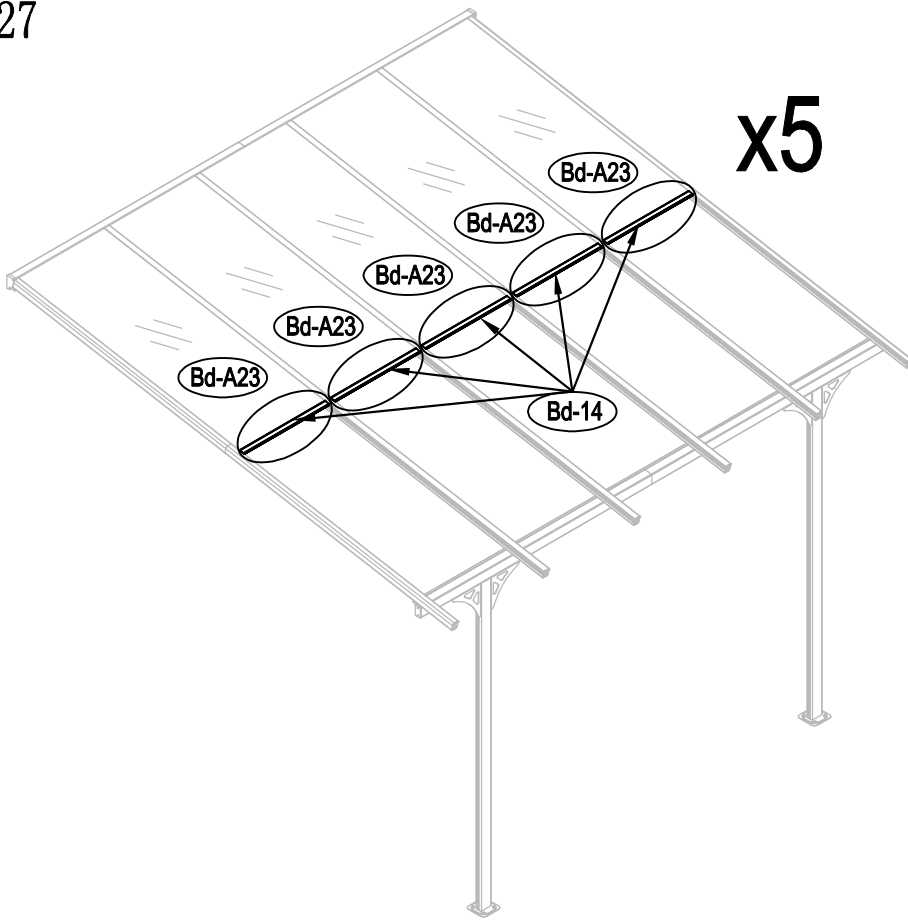
26



Bd-A23		x5
--------	---	----

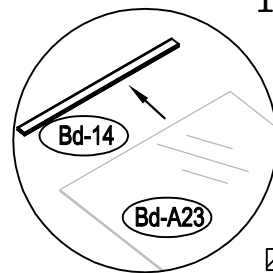
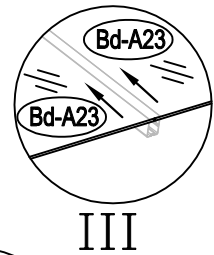
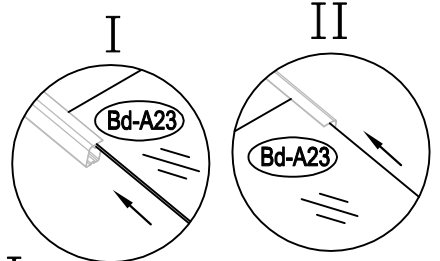
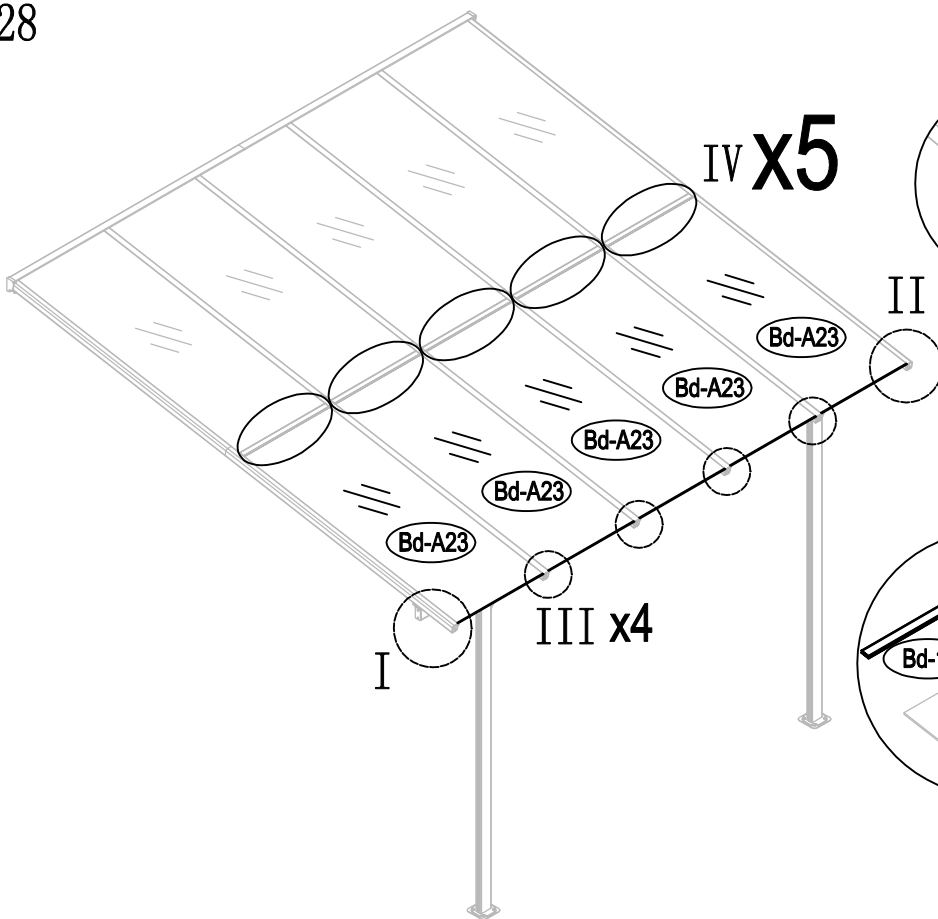


27



Bd-14		x5
-------	--	----

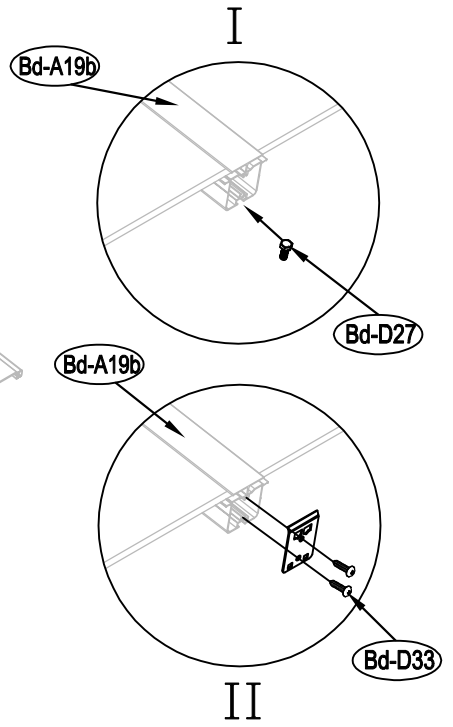
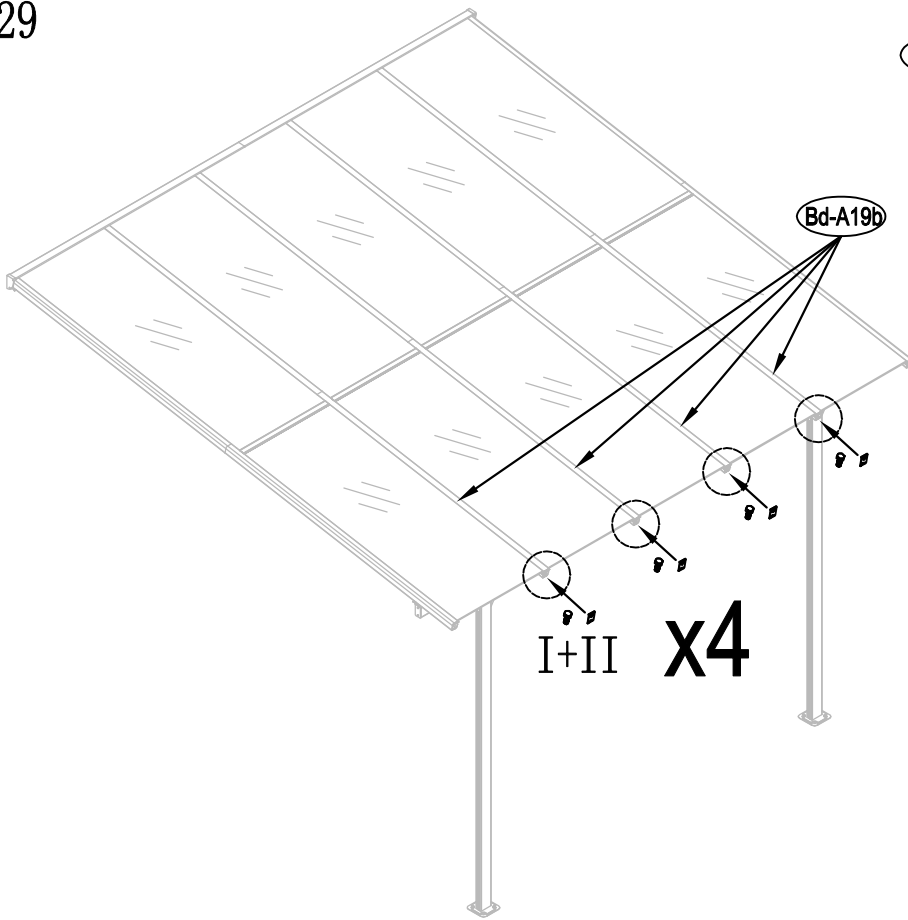
28



Bd-A23		x5
--------	--	----

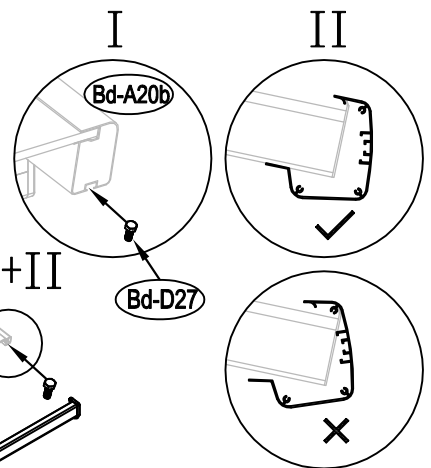
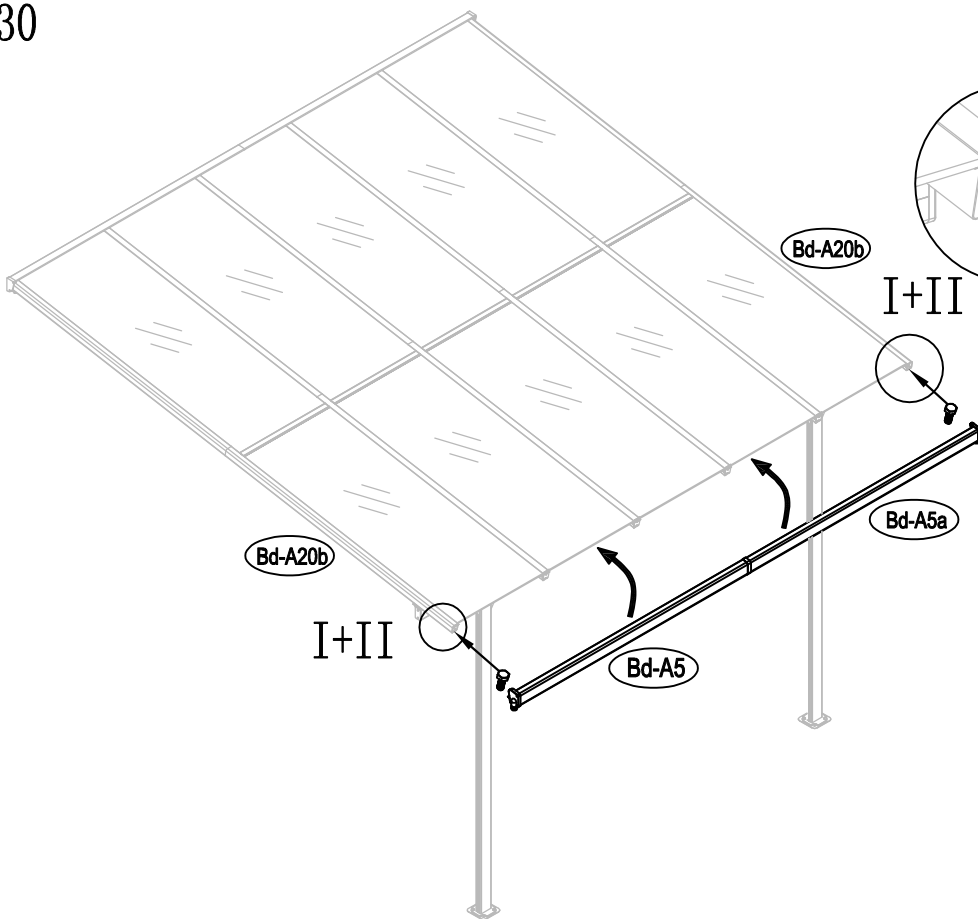


29



Bd-21		x4
Bd-D27		x4
Bd-D33		x8

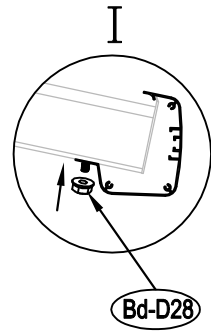
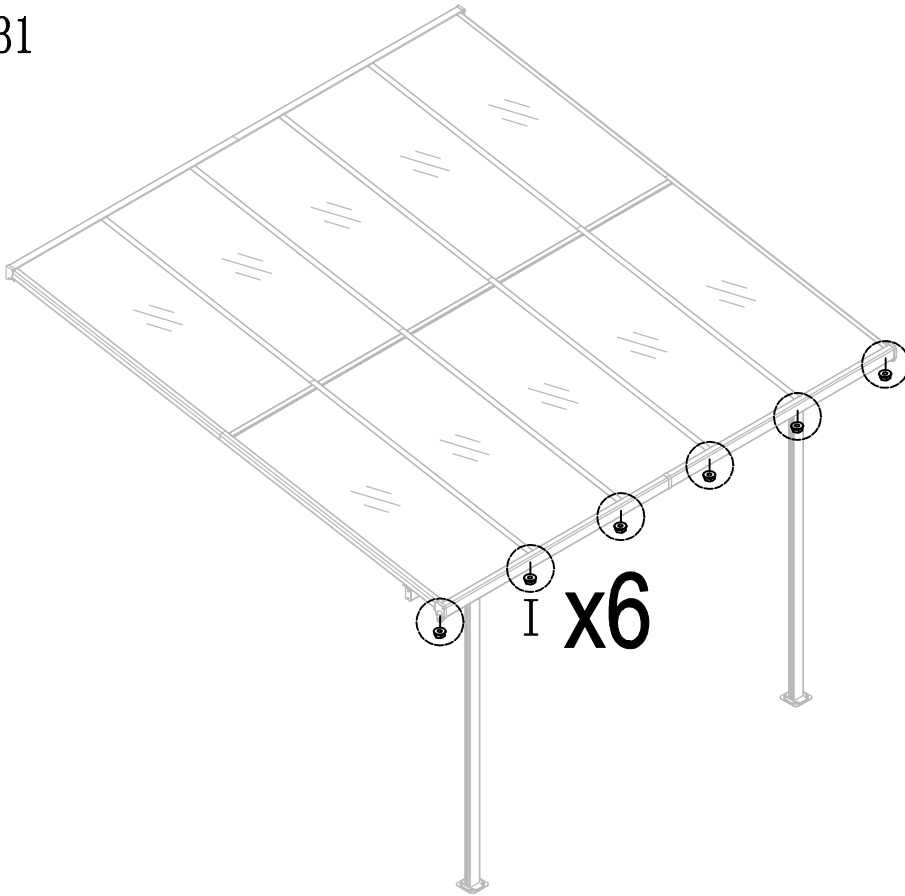
30



Bd-D27		x2
--------	--	----

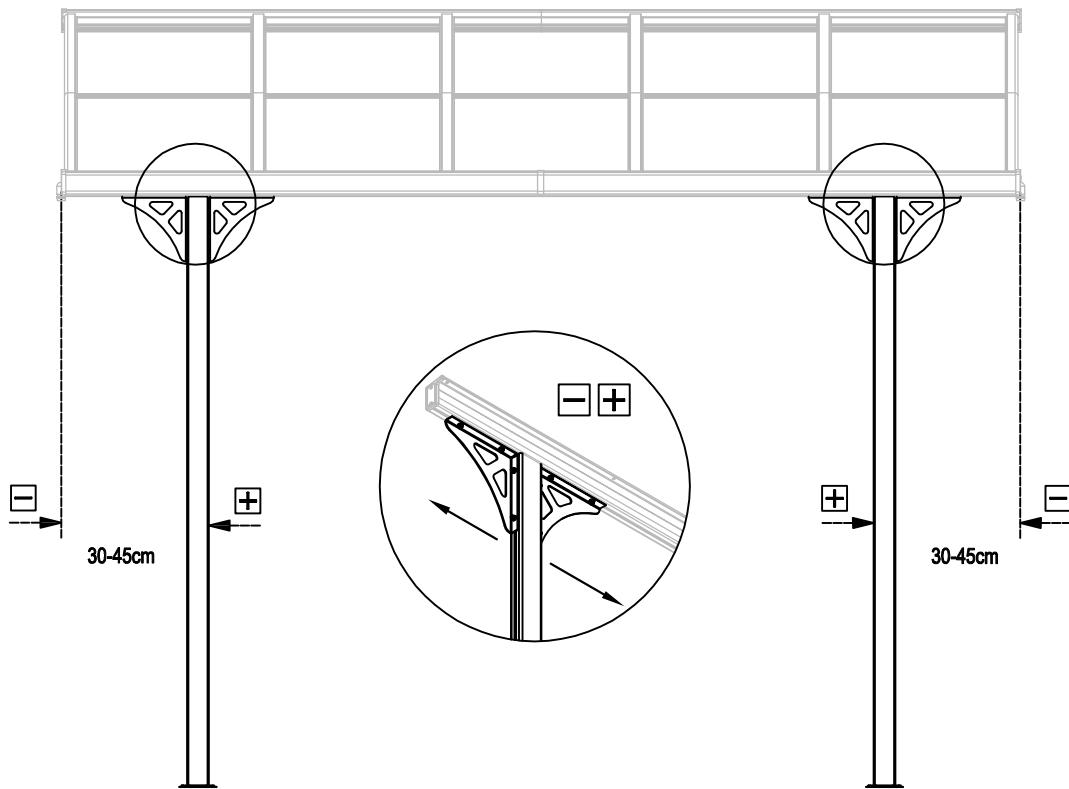


31

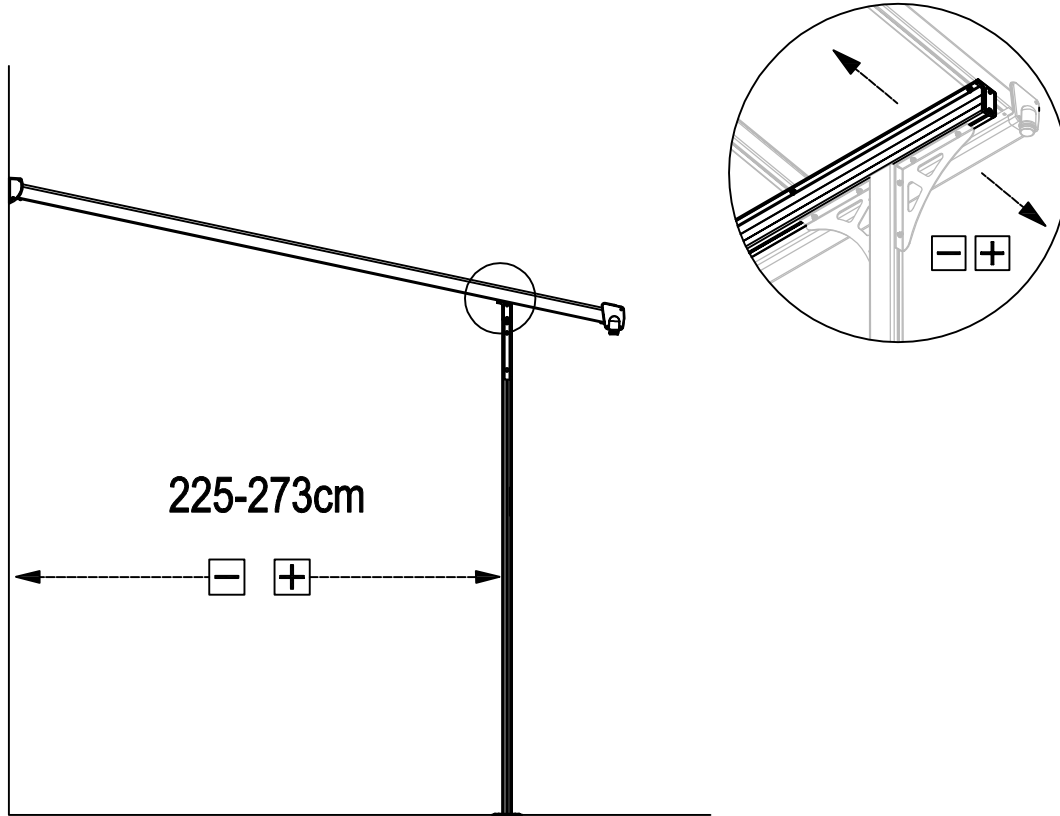


Bd-D28		x6
--------	--	----

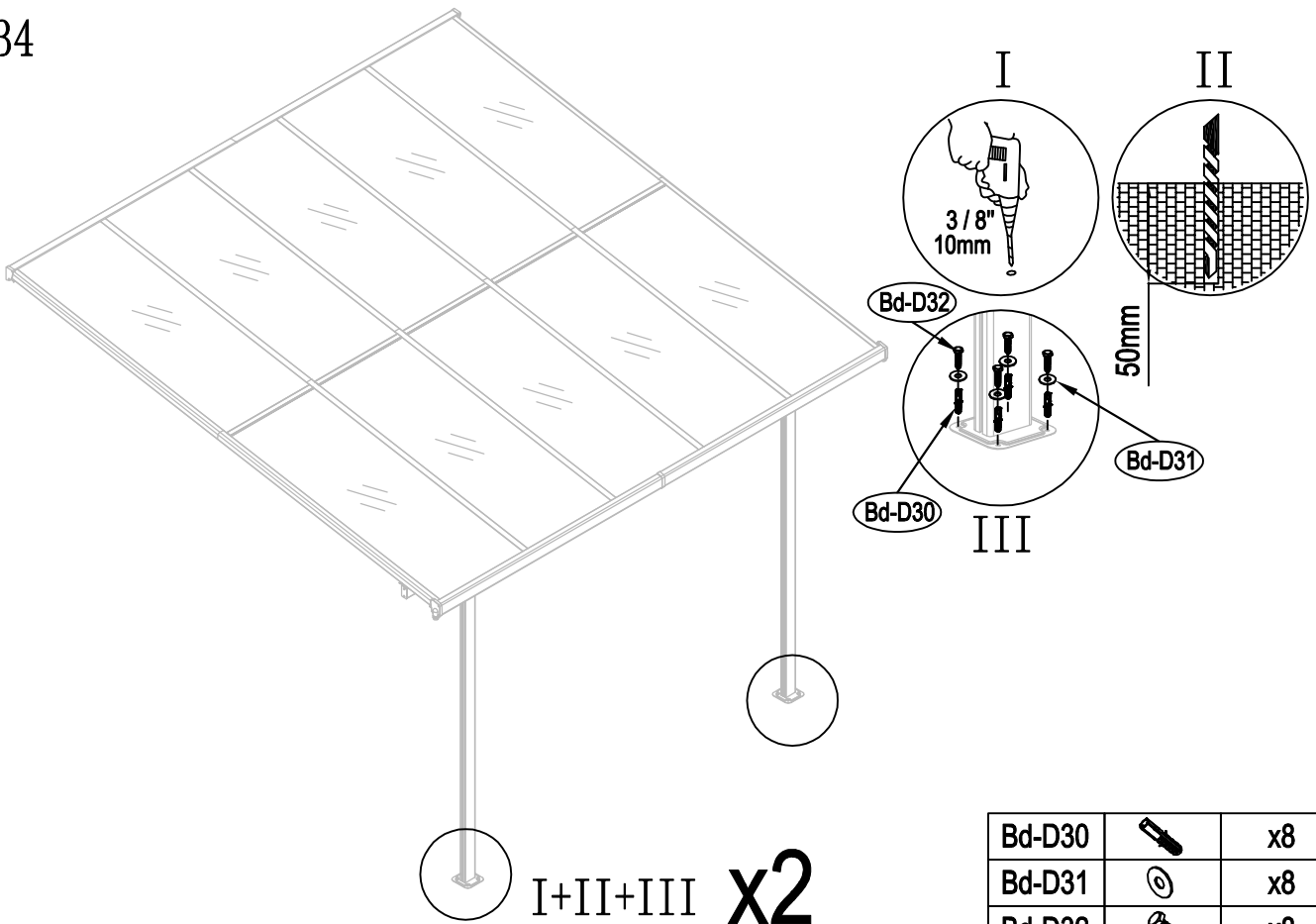
32






33



34

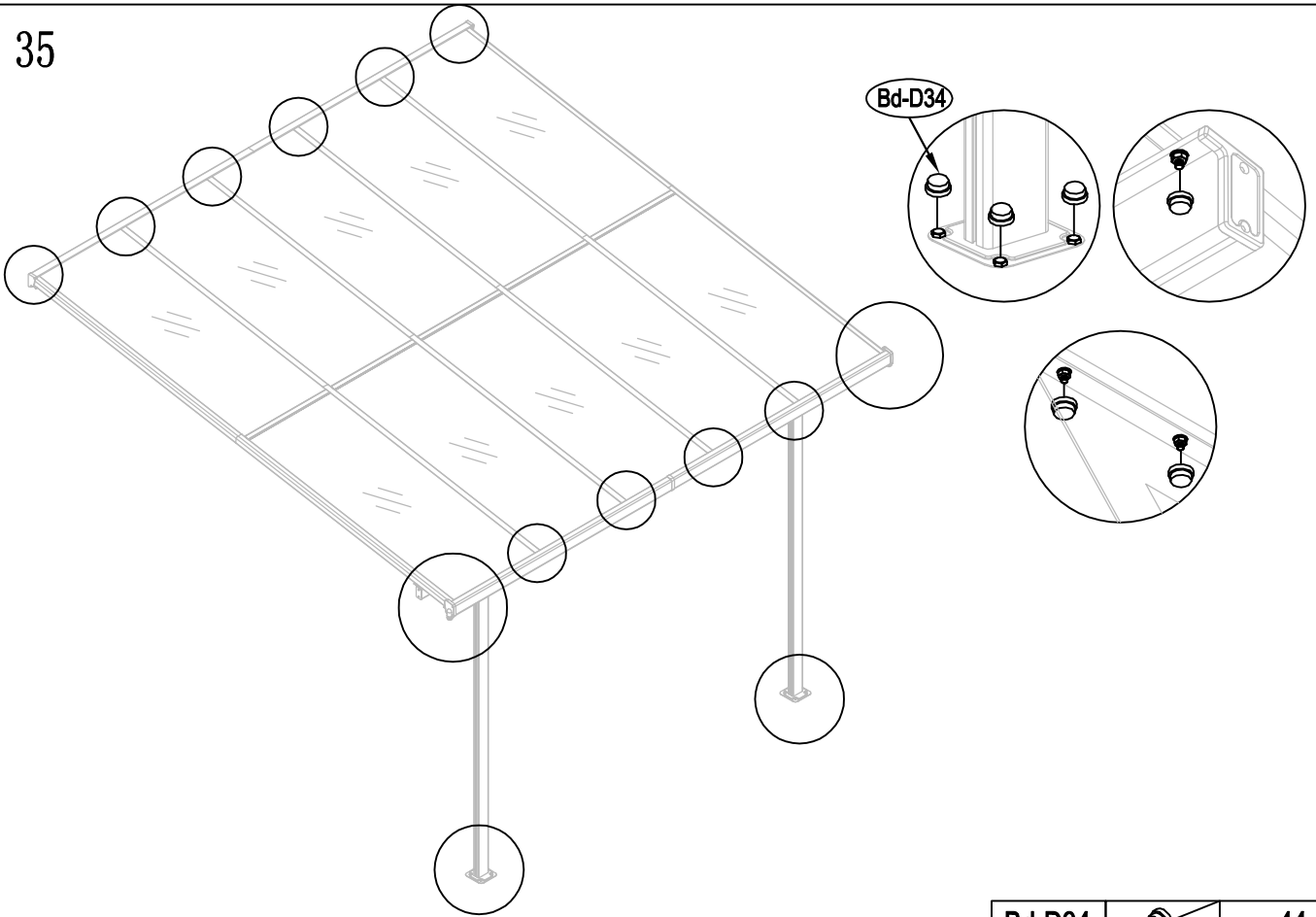


I+III+III x2

Bd-D30		x8
Bd-D31		x8
Bd-D32		x8



35



Bd-D34		x44
--------	---	-----

36

